

19" NETbox SOHO Network Wall Mounting Cabinets F A M I L Y

CONSTRUCTION DETAILS:

Framework- Top/Bottom Cases:

Multi Folded Automated Bending technology applied framework and top/bottom cases, provides a heavy duty structure results to high load capacity of: 80 kgs on wall nominal way.

Monoblock multi folded top and bottom cases resulted to a very heavy construction, tightly fixed to the framework with fixing hardware , fully modular system generated. Top case has a punched/vented Forced Ventilation (Fan Module) integration housing.

A ready Fan Module can be integrated or just single Fan could be assembled directly. In case less heat load occurs inside the cabinet than vented top case discharges the hot air via convection

Top case integrated with a brushed cable entry point with w:145mmxd:70mm size allows proper cabling insertion as well preventing the dust entry.

Bottom case integrated with a PVC Gland plate w:145mmxd:70mm.

In case of cables to be inserted from bottom case, the brushed cable entry and PVC gland plate could be replacing each other.

The full length smoked, shatterproof, antistatic, 4,0mm thickness glass with single point locking barrel lock is standard shipping configuration.

Solid Metal door is available upon request, please see front door variations at page 80,83.

Front door opening direction is set right to left, but reversible to left to right at site with removing the hinge system. Hinge System is channel type with screws.

The NETbox SOHO Network cabinet has a feature of integration with Caster group or PVC leveling feet group. NETbox Soho Network wall mounting cabinets can be used as underdesk or free standing purpose with this feature.

Please see detailed description in accessory section.

Part numbers to order:

*** LN-ZMN-TKR-5020-XX for Caster Group Set
LN-ZMN-PNY-1040-XX for PVC Leveling Feet Group Set

NETbox SOHO Network Wall cabinets has sticky colour changing thermometer, range 20 to 40 C as an accessory.

Available / Stocked Color of NETbox SOHO Network Wall cabinets are in RAL 7035 Light Grey, incase of Black RAL 9005 color product needed, coordinate with sales department.



Width=540mm
Depth=300/400mm

Standard Heights:

1 Available U Height: 07U for D:300mm.
3 Different U Heights: 07U, 09U, 12U
for D:400mm.

Standards, and Compliances:



ISO 9001:2008
Quality Management System

EN 61587 -1:2012
Mechanical Structures for
Electronic Equipment

IEC 297-1, 19" mounting
IEC 297-2 Overall cabinet dimensions



CE conform to
EN 60950-1:2006
Information Technology
Equipment – Safety – Part-1-
General Requirements



Environment Friendly;
*Environmental awareness
*RoHS compliancy
*% 100 Recyclable
Material

Load Capacity: 80 kgs.



NETbox SOHO series Wall Mounting Networking Enclosures, with 19" w:540mm and d:300/400mm physical sizes, with less depth need in very efficient cost scheme and logistics, and 3 different height for D:400mm, gives a choice of selection chart for users. D:300mm is available at 7U Height where just simple Networking distribution to be operated.

All Lande 19" NETbox SOHO Wall cabinets are being delivered as a single piece Flat Pack enclosure, with standard factory settings.

For door and panel variations

*** Please see door options at the end of each product size.

Standard Color:



RAL 7035 Light Grey
(Stock Delivery)

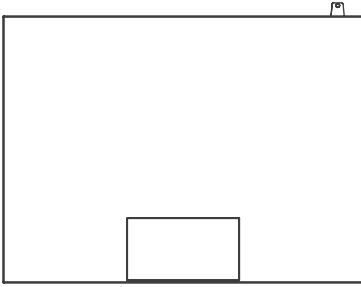
Optional Color:



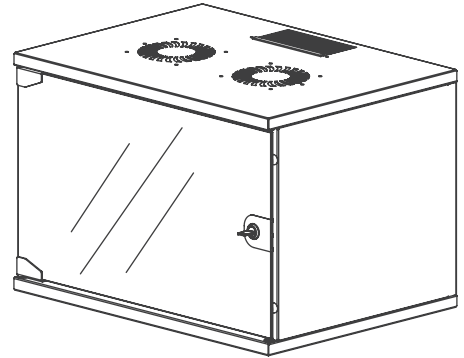
RAL 9005 Black



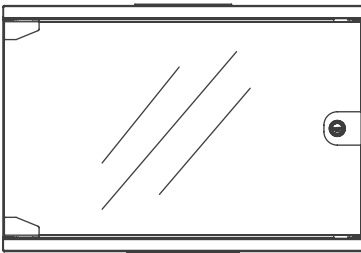
CONSTRUCTION
DRAWING



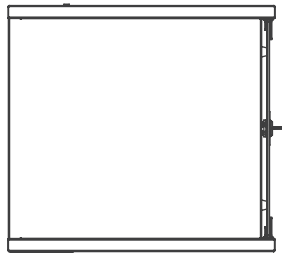
BOTTOM VIEW



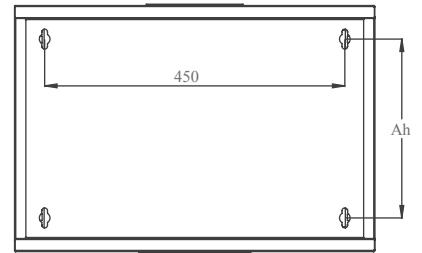
ISOMETRIC VIEW



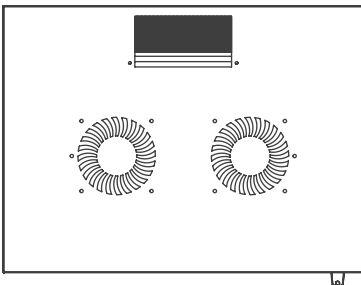
FRONT VIEW



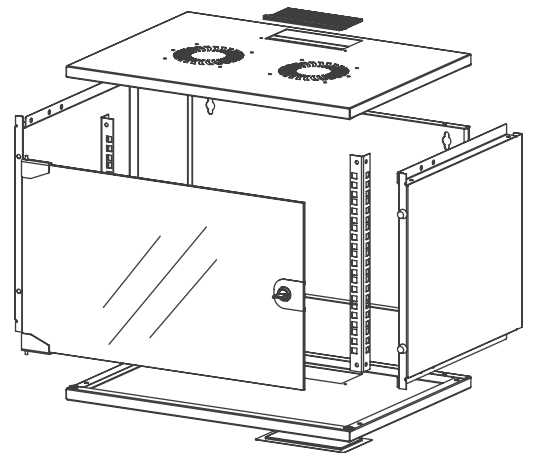
SIDE VIEW



REAR VIEW

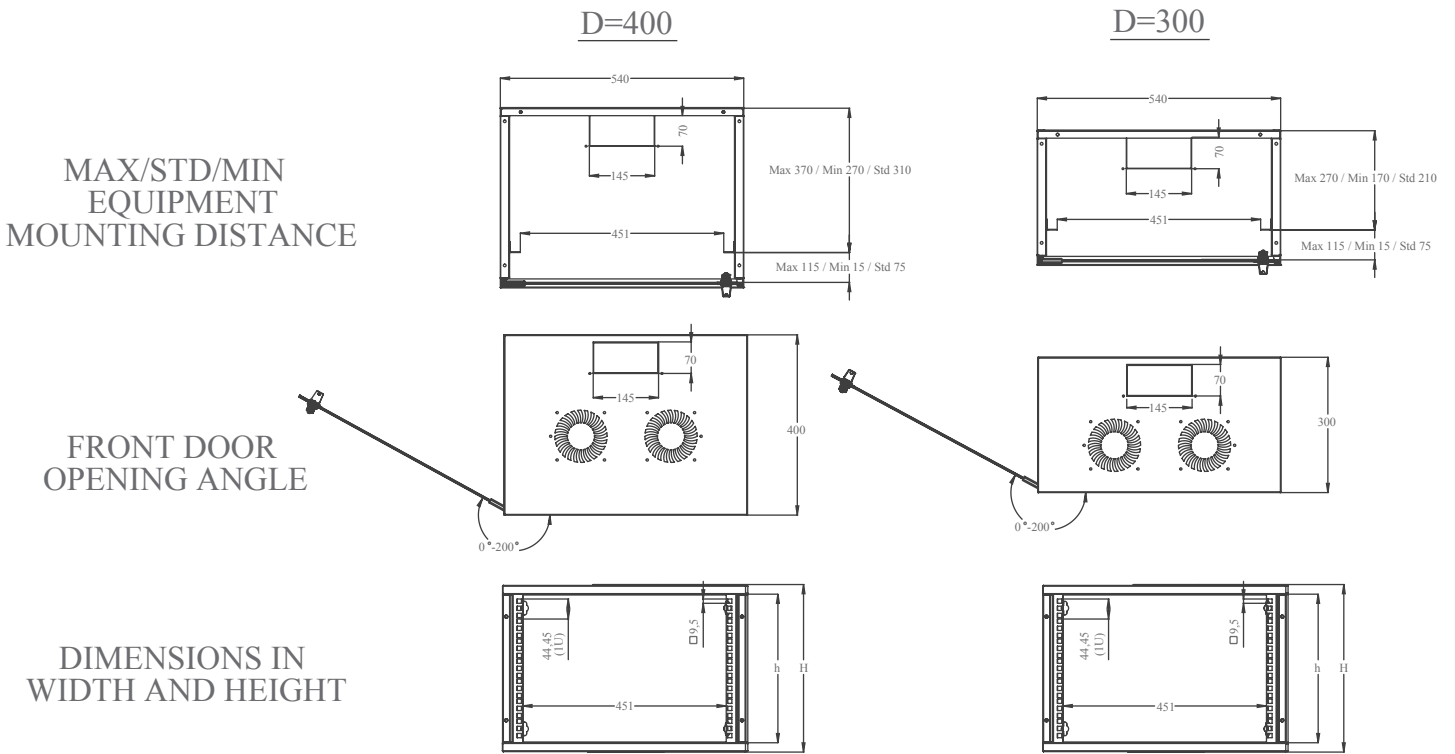


TOP VIEW



EXPLODED VIEW

CONSTRUCTION DRAWING



NETbox SOHO Series Wall Mounting 19" Cabinets W=540mm D=400/300mm

ROOT Product Number **	Product Description	Size WxDxH mm	h size in U	h in mm	H mm, overall without feet and/or castor	Width Overall mm	Ah Wall Mounting h mm	Width Rail to Rail mm	Depth Overall mm	*Depth Shipping Conf. Rail to Rear Panel mm	QTY IN PACKAGE	PACKING DIMENSIONS WxDxH mm	Standard NET Weight of product kgs	Gross Weight of Product kgs	QTY IN PALETTE	PALETTE DIMENSIONS WxDxH mm	Palette Weight kgs
LN-SH07U5430-CC-F0	7U 19" Wall Mounting Cabinet W=540mm D=300mm	540x300x370	7U	311	370	540	268	19"	300	210	1	630x425x70	8,3	9,2	60	1300x1300x1320	600
LN-SH07U5440-CC-F0	7U 19" Wall Mounting Cabinet W=540mm D=400mm	540x400x370	7U	311	370	540	268	19"	400	310	1	630x425x70	9,3	10,2	60	1300x1300x1320	670
LN-SH09U5440-CC-F0	9U 19" Wall Mounting Cabinet W=540mm D=400mm	540x400x460	9U	400	460	540	357	19"	400	310	1	630x445x70	10,7	11,7	60	1300x1300x1320	760
LN-SH12U5440-CC-F0	12U 19" Wall Mounting Cabinet W=540mm D=400mm	540x400x595	12U	533	595	540	490	19"	400	310	1	650x580x90	13,2	14,5	60	1300x1300x1620	950

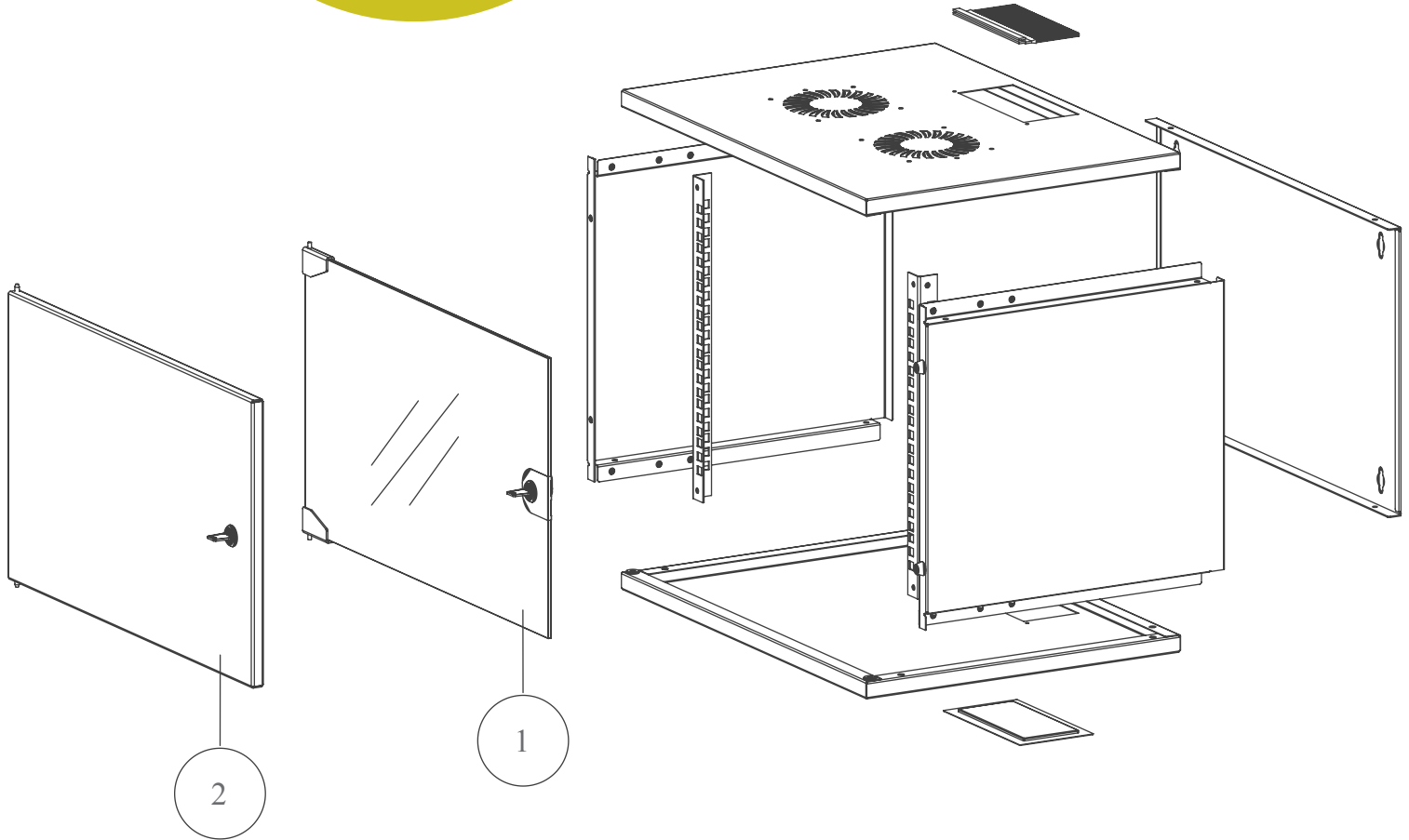
* See min and max Adjustable depth variations on drawings.

**CC= LG for Light Grey RAL 7035 & BL for Black RAL 9005 for customers to define while ordering, Standard stock is in RAL 7035 LG color, for Black RAL 9005 BL please coordinate with sales department.

*** F= F0 Notation means the delivery is in Unmounted "Flat Pack" configuration Standard stock is in Flat Pack Form. If the delivery needed in Assembled way please add A0 notation. 'Sample Part Number : SH07U5440-CC-A0'



DOOR
OPTIONS



19" NETbox SOHO Network Cabinet W=540 mm. D= 300/400mm.
All Heights FRONT DOOR Options

- 1 Single Opening, Flat Shape, Full Glass Front Door, Single Point Barrel Locking
- 2 Single Opening, Flat Shape, Complete Solid Metal Front Door, Single Point Barrel Locking

19" NETbox SOHO Network Cabinet W=540 mm. D= 300/400mm.
All Heights REAR DOOR Options

- 1 NO Option, Factory Configured Rear Panels are included

19" NETbox SOHO Network Cabinet W=540 mm. D=300/400mm.
All Heights SIDE PANEL Options

- 1 NO Option, Factory Configured Side Panels are included

LN-AA

XXU

WW

DD

CC

LN Corporate codification beginning letters mentioning Lande in Short Format as LN

AA Family Group of Enclosure; FS for Free Standing cabinets, WM for Wall Mounting Cabinets, SH for Small office Home office Range, SR for Server enclosure Range, SL for Slim series, RS for Home series wall cabinets

XX Numeric Character defining the height of enclosures, depending on model differences between 12 to 45 to be selected from price list, website or catalogue

U U Height Alfanumeric Notation, concrete (non editable- fixed character)

WW The First 2 digits of the width info, 60 for W=600mm, 80 for W=800mm, 54 for W=540mm, 30 for W=300mm Soho 10" enclosure

DD The First 2 digits of the depth info, 45 for D=450mm, 40 for D=400mm, 60 for D=600mm, 80 for D=800mm, 10 for D=1000mm cabinets

CC Color Code, LG for Light Grey RAL 7035, BL for Black RAL 9005

000

0 Front Door Variation number, numeric character 1 to 9 / 0 means no front door, standard front door defined in Lande System as option 1., Please select other variations if needed from above door selection drawing. Unless defined option 1 should be delivered

0 Rear Door Variation number, numeric character 1 to 9 / 0 means no rear door, standard rear door defined in Lande System as option 1., Please select other variations if needed from above door selection drawing. Unless defined option 1 should be delivered

0 Side Panel/Door Variation number, numeric character 1 to 9 / 0 means no side panel on product, standard side panel/door defined in Lande System as option 1. Unless defined option 1 should be delivered

