



HEAD OFFICE:
Safa Mah. Mimar Sinan Bulvarı
Yiğit Sk. No.4 34791 Sancaktepe
Istanbul / TURKEY
FACTORY:
20. Cadde No.14 Eskisehir
Organize San. Bolg. 26110
Eskisehir / TURKEY



HEAD OFFICE:
Phone: +90 216 312 2653 pbx
Fax : +90 216 312 0909



www.lande.com.tr



sales@lande.com.tr



QR CODE

www.mylans.com



lande 2013-2014 19" RACK CABINET PRODUCT CATALOGUE



Why Lande Cabinet?

An expert advising how to chose a right cabinet covering your needs!

Being a Network and Datacentre engineer for many years now, I know what is needed on both the Hardware and Software side of IT infrastructure. However most of us forget the passive side of things, such as the Power cables, Cabinet and cooling of it etc.

It is all very well spending hundreds of hours on the latest Routers, Blade Servers and NAS devices but all these need a safe and secure place to be housed. Often, the expensive kit is purchased first of all and then, often as a rush, then the enclosure is purchased. Normally then the IT manager pays a heavy premium for this initial oversight.

Think carefully on what you plan to do with your active devices, but as a rule of thumb you should consider with Lande cabinets the following;

- **Size of the cabinet-** Aim to get enough vertical U – Height that it will take any future expansion of your Network (such as more Switches, UPS etc) Even the highest size of 45U fit to most of rooms.

- **Cabinet width and depth-** All Lande cabinets have the 19” wide rails which is an industry standard. W=600mm x D=600 mm allows you to accomodate the general switches and Telco products, where you could go to W=600mm x D=800mm if your devices need. However if the infrastructure carry mass cable and patching of those, W=800mm segment could be proper for handling the mass cable inside the cabinet with integrated vertical cable managers at both sides of 19” rails.

- **What about Servers, NAS or SAN?-** The rule of thumb here is always to go with a Server cabinet which available in Lande as DYNAmix Series Server cabinets. W=600 D=1000mm. These cabinets can accomodate the servers, by having 1000mm depth in enclosure, and provides better ventilation possibility to your servers.

- **What server do you have?-** Generally this does not matter, as the Lande DYNAmix series Server Cabinets are universal and multi-vendor style, which any brand server should fit physically.

- **Keeping it cool-** Never forget the cooling for your active devices. They get hot and many servers will shut down if they get too hot! Always add a roof-mounted Fan Tray to your cabinet.

- **Anything else I need to order?-** Depending on your installation, you might need, Power Stripes which are various styles and capacities, as well Caster sets, Fixing Hardware, Shelves etc. All Lande Free Standing DYNAmix segment comes with Leveling feet. All Lande Free Standing DYNAmix Series Server segment comes with Leveling feet + Caster set included. While selecting those accessories follow the compatible with charts available on right side of each accessory chart.

A very wide selection possibility from Lande cabinet models, allows you to find a proper housing for your IT equipments anyway. Various widths, depths, and heights are offered for your selection.

At the end of the day a well chosen cabinet will not only look good, add security, make it easier to maintain the equipment but also increase the lifespan of your devices, so saving you money.





MISSION : QUALITY

La experiencia es
la madre de la
ciencia.

Experience is the
mother of science

Spanish Proverb



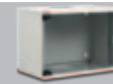
Page 04 -05 Highlight Chart of Sizes, Features and Benefits



Page 06-48 DYNAmic Free Standing Product Range



Page 50-73 NETbox Wall Mounting Product Range



Page 74-85 NETbox SOHO Network Wall Mounting Product Range



Page 87-93 NETbox HOME Wall Mounting Product Range



Page 94-102 NETbox SLIM Wall Mounting Product Range

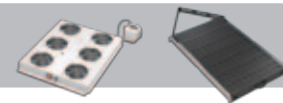


Page 104-121 DYNAmax Free Standing Server Cabinet Product Range



Page 122-141 DYNAframe Open Frame System Racks Product Range

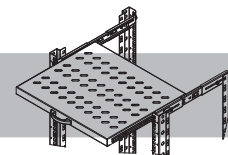
Page 143-174 Accessories



Page 176-183 Complimentary Range of Accessories



Page 184-191 Useful Drawings of Shelf Depth Adjustments



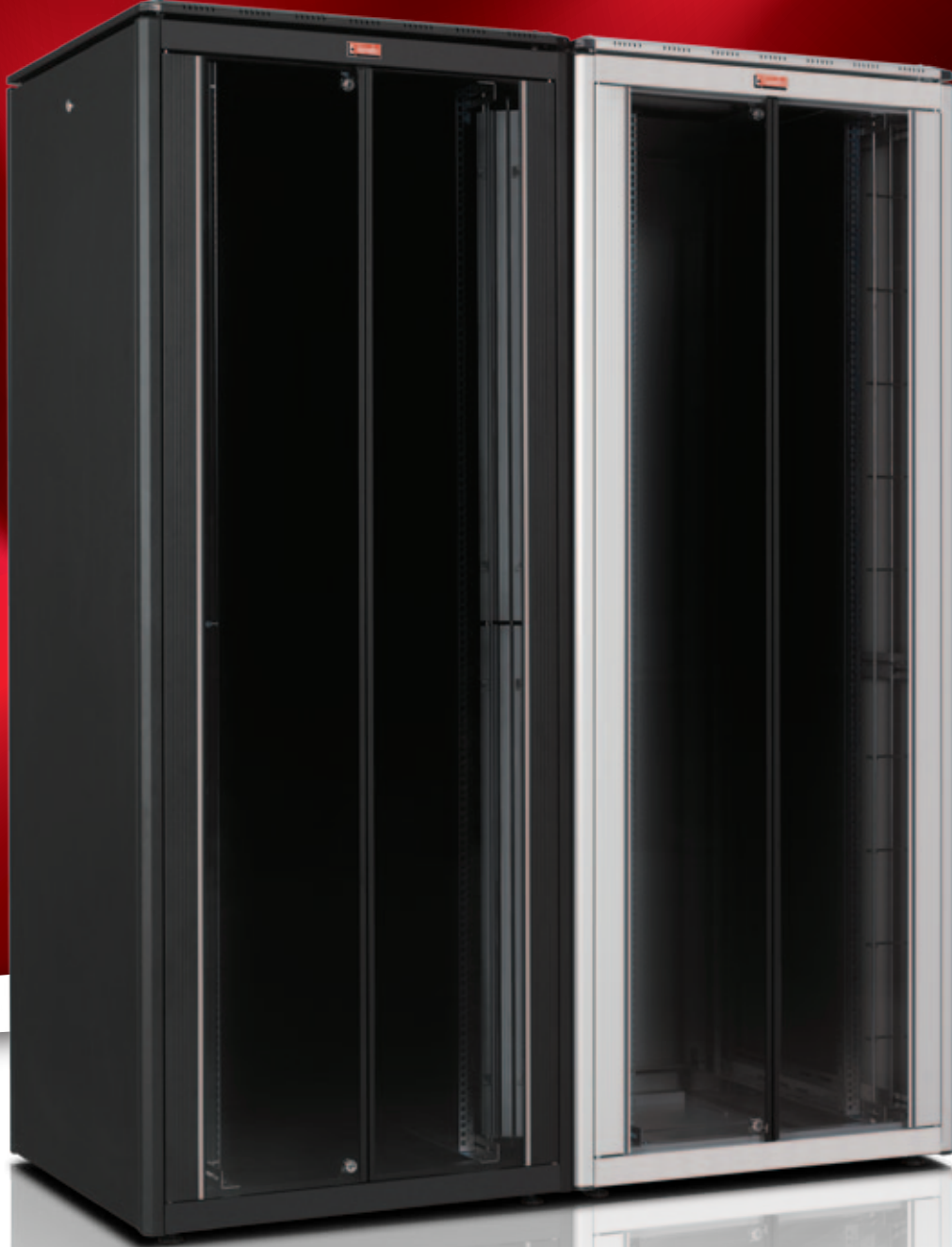
Page 192 GUIDE and GLOSSARY for LANDE Catalogue and 19" IT Cabinet Business

The Lande Product range has a wide selection portfolio, which offers you benefits and advantages changing based on product types. To help you selecting the best fit product to your requirement, we've highlighted the sizes, features and benefits

	Width in mm	Height in U (1U:44,45mm)	Depth in mm	Load Capacity (kgs)	Color	U Markings	19" / 10" rail qty
DYNAmic Series Free Standing Cabinets	600	12U 16U 20U 22U 26U 32U 36U 39U 42U 45U	600 800	600	RAL 7035 L.Grey RAL 9005 Black	Available	4 pcs:1 Set (2 in front, 2 at back)
DYNAmic Series Free Standing Cabinets	600	22U 26U 32U 36U 39U 42U 45U	1000	600	RAL 7035 L.Grey RAL 9005 Black	Available	4 pcs:1 Set (2 in front, 2 at back)
DYNAmic Series Free Standing Cabinets	800	22U 26U 32U 36U 39U 42U 45U	600 800	600	RAL 7035 L.Grey RAL 9005 Black	Available	4 pcs:1 Set (2 in front, 2 at back)
DYNAmic Series Free Standing Cabinets	800	42U 45U	1000	600	RAL 7035 L.Grey RAL 9005 Black	Available	4 pcs:1 Set (2 in front, 2 at back)
DYNAmax Series Free Standing Server Cabinets	600	12U 26U 36U 42U 45U	1000	1000	RAL 7035 L.Grey RAL 9005 Black	Available	4 pcs:1 Set (2 in front, 2 at back)
DYNAmax Series Free Standing Server Cabinets	800	42U 45U	1000	1000	RAL 7035 L.Grey RAL 9005 Black	Available	4 pcs:1 Set (2 in front, 2 at back)
NETbox Wall Mounting Cabinets	600	7U 9U 12U 16U 20U	450 600	80	RAL 7035 L.Grey Stocked RAL 9005 Black based on request	Available	2 pcs:1 set in Front
NETbox Wall Mounting Cabinets - REAR SECTION INTEGRATED	600	7U 9U 12U 16U 20U	150 INTEGRATED 450+150:600 600+150:750	50	Rear Section is in Standard RAL 7016 Antracite Grey	N/A at Rear Section 19" Provision	2pcs:1 set the body of rear section provision
NETbox SOHO Wall Mounting Cabinets 19"	540	7U	300	80	RAL 7035 L.Grey Stocked RAL 9005 Black based on request	N/A	2 pcs:1 set in Front
		7U 9U 12U	400	80		N/A	2 pcs:1 set in Front
NETbox SOHO Wall Mounting Cabinets 10"	312	6U	300	20	RAL 7035 L.Grey Stocked RAL 9005 Black based on request	N/A	2pcs:1 set in Front: 10"
NETbox HOME Residential Wall Mounting Cabinets	600	6U 9U 12U	150 300	80	RAL 7035 L.Grey Stocked RAL 9005 Black based on request	Available	2pcs:1 set in Front
NETbox Slim Wall Mounting Cabinets	520	3U+5U 5U+5U	480	30	RAL 7035 L.Grey Doors, RAL 7016 Rear Wall Section	N/A	See Details at related catalogue pages

19" Rail Adjustability in depth	Front Door Lock Type	Locking System in Front door	Front Door Structure	Side Panels	Rear Door Structure	Front Door Option	Rear Door Options
Available	Handled Lock	Single Point Locking	Side Framed Glass Front Door	Barrel single point locking, mechanical snap capture	Barrel single point locking, mechanical snap capture	Please see catalogue pages for 3 different front door options	Please see catalogue pages for 4 different rear door options
Available	Handled Lock	Single Point Locking	Side Framed Glass Front Door	Barrel single point locking, mechanical snap capture	Barrel single point locking, mechanical snap capture	Please see catalogue pages for 3 different front door options	Please see catalogue pages for 4 different rear door options
Available	Barrel single point locking top and bottom	Double Point Locking	Side Framed Split Wardrobe Style Glass Front Door	Barrel single point locking, mechanical snap capture	Barrel single point locking, mechanical snap capture	Please see catalogue pages for 6 different front door options	Please see catalogue pages for 5 different rear door options
Available	Barrel single point locking top and bottom	Double Point Locking	Side Framed Split Wardrobe Style Glass Front Door	Barrel single point locking, mechanical snap capture + fixed W200 extension panel	Barrel single point locking, mechanical snap capture	Please see catalogue pages for 6 different front door options	Please see catalogue pages for 5 different rear door options
Available	Handled Lock	4 Point Locking	Complete Metal % 63 perforated Curved Shape Door	Single Side Panel at 12U and 26U / Split Horizontally- each is with single point barrel locking 36U, 42U,45U	Complete Metal % 63 perforated Flat Shape Split Wardrobe Door	Please see catalogue pages for 6 different front door options	Please see catalogue pages for 4 different rear door options
Available	Handled Lock	4 Point Locking	Complete Metal % 63 perforated Curved Shape Door	Split Horizontally each is with barrel locking	Complete Metal % 63 perforated Flat Shape Split Wardrobe Door	Please see catalogue pages for 6 different front door options	Please see catalogue pages for 4 different rear door options
Available	Barrel Lock	Single Point Locking	Side Framed Glass Front Door	Barrel single point locking	Screwed Rear Panel	Please see catalogue pages for 3 different front door options	Please see catalogue pages for 2 different rear door options
Available	Barrel Lock	Single Point Locking	Side Framed Glass Front Door	Barrel single point locking	REAR SECTION Features to be reviewed	Please see catalogue pages for 3 different front door options	NO Option at rear
Available	Barrel Lock	Single Point Locking	Complete Glass Front Door	Non Opening, Body of cabinet	Screwed Rear Panel	Please see catalogue pages for 2 different front door options	NO Option at rear
Available	Barrel Lock	Single Point Locking	Complete Glass Front Door	Non Opening, Body of cabinet	Screwed Rear Panel	Please see catalogue pages for 2 different front door options	NO Option at rear
Available	Barrel Lock	Single Point Locking	Complete Glass Front Door	Non Opening, Body of cabinet	Screwed Rear Panel	Please see catalogue pages for 2 different front door options	NO Option at rear
Available	Barrel Lock	Single Point Locking	Side Framed Glass Front Door	Non Opening, Body of cabinet	Body of the Frame Unit, not a separate part	NO Option at rear	NO Option at rear
Available-See Details at related catalogue pages	Barrel Lock	Double Point Locking	Solid Metal Split door and Complete Polycarbonate door	Non Opening, Body of cabinet	Body of the Frame Unit, not a separate part	Please see catalogue pages for 2 different front door options	NO Option at rear

19" DYNAmic Free Standing Cabinets F A M I L Y



FAMILY

W=600mm DYNAMIC Series Free Standing Cabinets

DYNAMIC series Networking / Servering Enclosures, provide maximum optimization resulted to an optimum performance in between quality and added value.

While product gives maximum performance on cabling and networking infrastructure, in parallel provides a very respective economy compared to its quality which is based on high technologic fully automated industry.

The 600 series is available in 10 heights from 12U through to 45U, and in certain sizes a choice of depth is also available including 600, 800 and 1000mm options. Each cabinet is supplied as standard with a glass front door, steel rear door and lift off steel side panels, all of which are lockable. The 800 wide series are starting from 22 to 45U size

The wide product height portfolio meets any U requirement in infrastructure needs.

DYNAMIC series have a professional technical but aesthetic look with decorative Aluminium Extruded Housing on the front door; the product range attracts the attention with the mostly environmentally fit and selected color of RAL 9005 Black, and RAL 7035 Light Grey, with fine wrinkle soft touch paint.

The product range allows with 1000mm depth versions, usage in private / low density server and storage applications.

Completely standard and stocked product portfolio, being delivered a single piece assembled product, as shipping configuration the adjustable feet group is included.

DYNAMIC Series product range with optimal panel mounting size, and a variety range of accessories enclose the whole expectation of users.



CONSTRUCTION DETAILS:

Main Profile- Framework- Top/Bottom Cases and Pagoda Style Roof:

Multi Folded Automated Bending technology applied corner profile system, provides a heavy duty structure results to high load capacity of: 600 kgs.

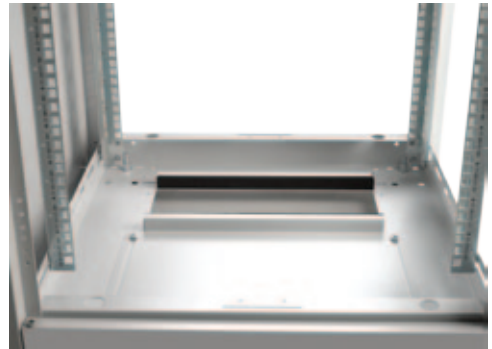
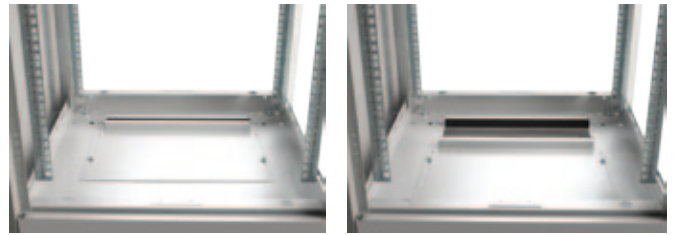
Monoblock multi folded top and bottom cases, tightly fixed to the framework with fixing hardware, fully modular system generated.

Top case has a ready Forced Ventilation (Fan Module) integration housing.

Fan Module installation is from roof, where the Pagoda Style Roof to be removed first. The advantage of this system is, once the Fan Unit needs maintenance or replacement and while the cabinet is carrying integrated active and passive networking devices, than subject to remove some of them to replace the Fan Module Unit. Lande Cabinet Fan Module Unit access is from roof where no interference with the already installed components inside cabinets.

Bottom case integrated with wide cable entry point provides maximum versatility. The rubber edged sliding mechanism on the cable entry point at bottom with $w=350\text{mm} \times d=250\text{mm}$ allows large cabling infrastructure applications. On rubber edged sliding mechanism max cable entry opening is $w=350\text{mm} \times d=150\text{mm}$. After inserting the cables, the rubber edged mechanism holds and fixes the cables in parallel preventing the cabinet from dust entry.

Pagoda Style Roof located 10mm above the Top Case, allows passive air ventilation via convection, in case of integration with a Fan Unit for forced ventilation intend, the Pagoda style roof allows easy discharge of hot air from cabinet while preventing the cabinet from dripping water or falling dust. Pagoda Style Roof corners and Main Profile junction are closed with Anthracite Grey and Black color complementary PVC application for aesthetical appearance.



FAMILY

CONSTRUCTION DETAILS:

Access to enclosure:

Front door is integrated with decorative 2,5mm thickness aluminium extruded frames, full length smoked, shatterproof, antistatic, 4,0mm thickness glass with single point locking handled lock.

Front door Aluminium extruded frame allows, decorative PVC Stripes charming the attraction, Anthracite Grey for RAL 7035 Light Grey Cabinets and Light Grey for RAL 9005 Black cabinets

Front door opening direction is set right to left, but reversible to left to right at site with removing the hinge system. Hinge System is spring loaded easy operating version, which allows you to remove the whole front door from cabinet in seconds.

Alternative doors and panels are available for customer selection. Please see page 14, 20, 26, 34, 40, 46.

Side Panels are lockable and removable with barrel style lock, Multifolded bending technology with 8 fold bending provides the rigidity. Easy mechanical locking of panel to main frame with snap capture system allows easy attachment of panels and easy removal in seconds while installation in process.

Rear Panels are lockable and removable with barrel style lock, Multifolded bending technology with 8 fold bending provides the rigidity. For best optimized cost conduction to customers, the rear panel designed and created with same mechanical concept and sizes of the side panels. In case of more mechanical and functional needs as a hinged rear door, there are various design and functionality on the created selection charts, please find them for each product size rear door at page 14, 20, 26, 34, 40, 46.

19" rails of Lande DYNAMIC Series Free Standing cabinets are with automated silk-screen U numbering, depends on size 1U to 45U, same from top to bottom or bottom to top results to same U height selection. No matter from where you have started counting. 19" rails are 4 fold bending surfaces, 1,5mm thickness provides the high load capacities. The 19" rails are made of steel with 8-12 micron zinc plating for corrosion resistance. 19" rails are adjustable in depth. For easy adjustment purpose, no need to detach the screws, just ease the screws and slide them in the channels on the top/bottom chassis bends.

Side Horizontal Support Bar in depth; up to 26U the 19" rails are fixed to just top and bottom case. Higher than 26U the cabinets are integrated with 1 set (left/right), 1,5mm thickness Z type made of Steel + 8-12 micron zinc plated side horizontal support bar.

All design features provide 4 way access to your enclosure and equipments, easy to reach to enclosure and equipments for all infrastructure installations and maintenance needs.



Width=600mm
Depth=600mm

Load Capacity: 600 kgs.

Standard Heights:

10 different U heights: 12U, 16U,
20U, 22U, 26U, 32U, 36U, 39U,
42U, 45U

Standards, and Compliances:



ISO 9001:2008
Quality Management System

EN 61587 -1:2012
Mechanical Structures for
Electronic Equipment

IEC 297-1, 19" mounting
IEC 297-2 Overall cabinet dimensions



CE conform to
EN 60950-1:2006
Information Technology
Equipment – Safety – Part-1-
General Requirements

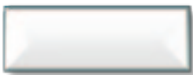


Environment Friendly;
*Environmental awareness
*RoHS compliancy
*% 100 Recyclable
Material

Standard Colors:



RAL 9005 Black



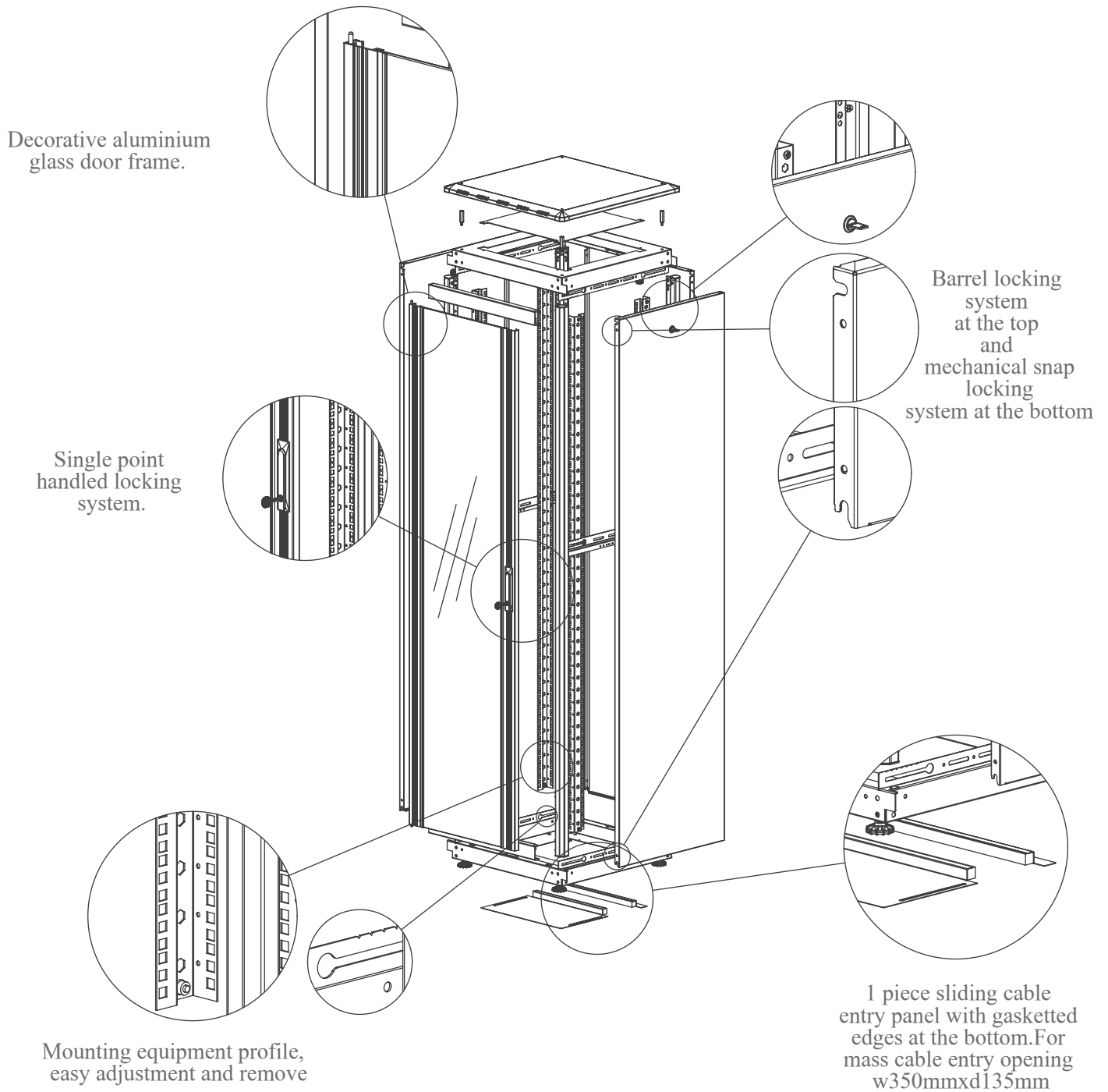
RAL 7035 Light Grey

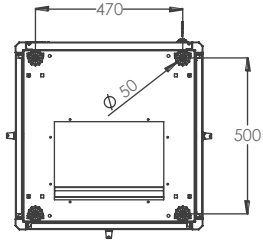
DYNAMIC series Networking Enclosures, with 19" w:600mm
and d:600mm physical sizes, with max internal usable depth
and 10 different height, gives a wide selection chart for users.

*** Please see door options in page 14

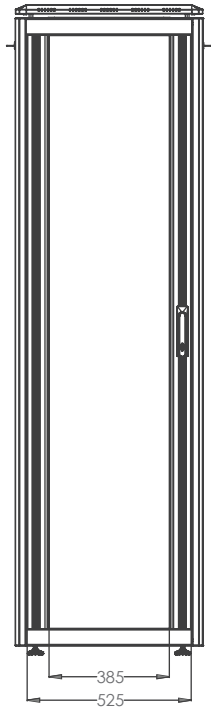


DETAILS ON
EXPLODED VIEW

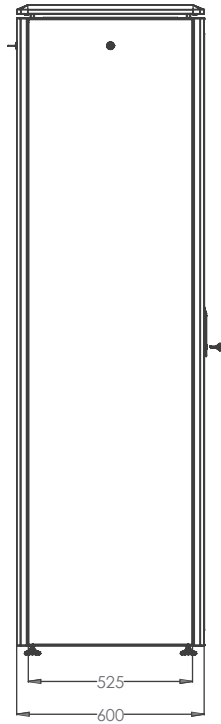




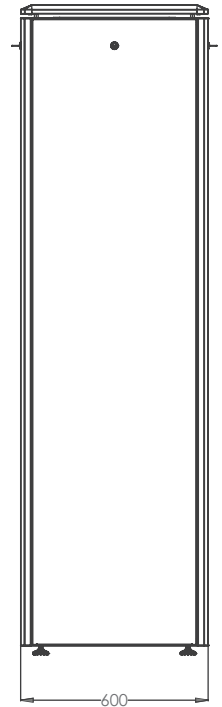
BOTTOM VIEW



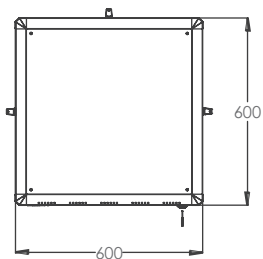
FRONT VIEW



SIDE VIEW



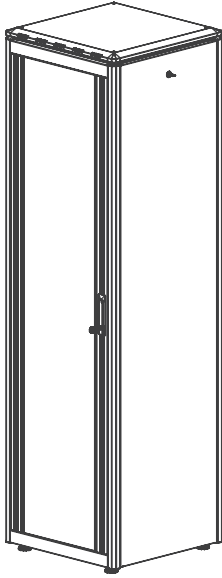
REAR VIEW



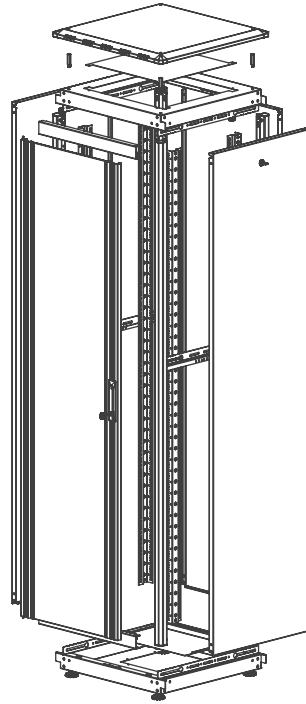
TOP VIEW

CONSTRUCTION
DRAWING

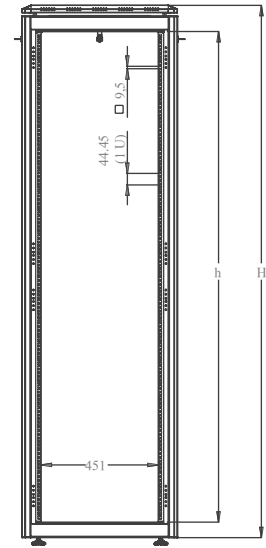
CONSTRUCTION
DRAWING



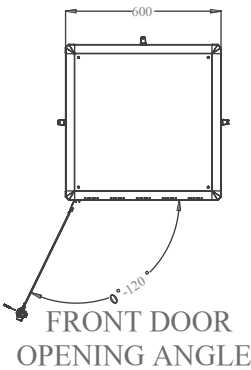
ISOMETRIC VIEW



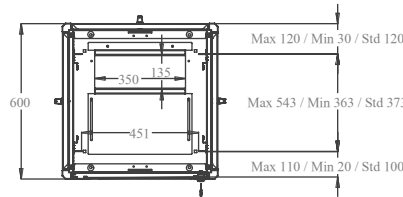
EXPLODED VIEW



DIMENSIONS
IN
WIDTH AND HEIGHT



FRONT DOOR
OPENING ANGLE



MAX/STD/MIN
EQUIPMENT
MOUNTING
DISTANCE

DYNAMIC Series Free Standing 19" Cabinets W=600mm D=600mm

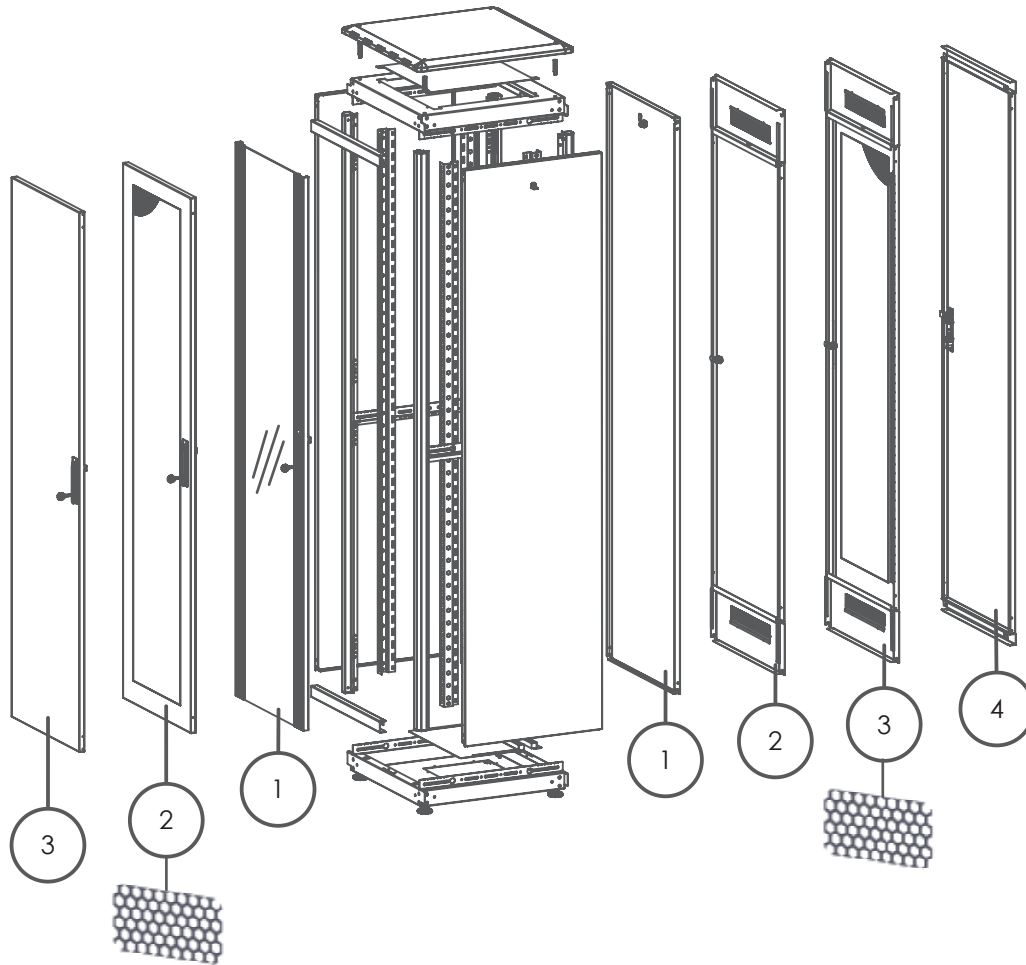
ROOT Product Number ***	Product Description	Size WxDxH mm	h size in U	h in mm	*H mm, overall without feet and/or castor	Width Overall mm	Width Rail to Rail mm	Depth Overall mm	**Depth Shipping Conf. Rail to Rail mm	QTY IN PACKAGE	PACKING DIMENSIONS WxDxH mm	Standard NET Weight of product kgs	Gross Weight of Product kgs	QTY IN PALLETTE	PALLETTE DIMENSIONS WxDxH mm	Palette Weight kgs
LN-FS12U6060-CC-111	12U 19" Free Standing Cabinet W=600mm D=600mm	600x600x720	12U	533	720	600	19"	600	370	1	680x680x850	35,7	42,9	2	680x680x1700	85,8
LN-FS16U6060-CC-111	16U 19" Free Standing Cabinet W=600mm D=600mm	600x600x898	16U	711	898	600	19"	600	370	1	680x680x1020	40,9	48,5	2	680x680x2076	97
LN-FS20U6060-CC-111	20U 19" Free Standing Cabinet W=600mm D=600mm	600x600x1076	20U	889	1076	600	19"	600	370	1	680x680x1216	45,2	53,2	2	680x680x2432	106,4
LN-FS22U6060-CC-111	22U 19" Free Standing Cabinet W=600mm D=600mm	600x600x1164	22U	978	1164	600	19"	600	370	1	680x680x1305	47,9	56,1	2	680x680x2608	112,2
LN-FS26U6060-CC-111	26U 19" Free Standing Cabinet W=600mm D=600mm	600x600x1342	26U	1155	1342	600	19"	600	370	1	680x680x1482	52,7	61,3	1	680x680x1482	61,3
LN-FS32U6060-CC-111	32U 19" Free Standing Cabinet W=600mm D=600mm	600x600x1609	32U	1422	1609	600	19"	600	370	1	680x680x1749	60,9	70	1	680x680x1749	70
LN-FS36U6060-CC-111	36U 19" Free Standing Cabinet W=600mm D=600mm	600x600x1787	36U	1600	1787	600	19"	600	370	1	680x680x1927	66,3	75,5	1	680x680x1927	75,9
LN-FS39U6060-CC-111	39U 19" Free Standing Cabinet W=600mm D=600mm	600x600x1920	39U	1733	1923	600	19"	600	370	1	680x680x2063	69,6	79,7	1	680x680x2063	79,5
LN-FS42U6060-CC-111	42U 19" Free Standing Cabinet W=600mm D=600mm	600x600x2053	42U	1867	2053	600	19"	600	370	1	680x680x2193	73,7	83,9	1	680x680x2193	83,9
LN-FS45U6060-CC-111	45U 19" Free Standing Cabinet W=600mm D=600mm	600x600x2187	45U	2000	2187	600	19"	600	370	1	680x680x2327	77,3	87,8	1	680x680x2327	87,8

* Please add 30mm to H mm once used with Leveling Feet, add 80mm to H mm once used with castor set.

** See min and max Adjustable depth variations on drawings.

***CC= LG for Light Grey RAL 7035 & BL for Black RAL 9005 for customers to define while ordering, for "111" selection please see the door options.





DYNAMIC Free Standing Cabinet W=600mm D=600mm
All Heights FRONT DOOR Options

- 0 Without front Door
- 1 Single Opening, Flat Shape, Side Framed Glass Front Door, Single Point Handled Locking.
- 2 Single Opening, Flat Shape, Complete Framed %63 perforated, Solid Metal Front Door, Single Point Handled Locking
- 3 Single Opening, Flat Shape, Complete Solid Metal Front Door, Single Point Handled Locking

DYNAMIC Free Standing Cabinet W=600mm D=600mm
All Heights REAR DOOR Options

- 0 Without Rear Door
- 1 Solid Metal Panel, Snap locking and Barrel Lock, Single Point Locking
- 2 Single Opening, Flat Shaped, Solid Metal Rear Door, Single Point Barrel Locking, Hinged, Top/bottom Cable entry, and Top/Bottom Metal Bracket Set
- 3 Single Opening, Flat Shape, Complete Framed %63 perforated, Solid Metal Rear Door, Single Point Handled Locking, Top/Bottom Metal Bracket Set.
- 4 Single Opening, Flat Shape, Complete Solid Metal Rear, Single Point Handled Locking, Top/Bottom Metal Bracket Set.

DYNAMIC Free Standing Cabinet W=600mm D=600mm
All Heights SIDE PANEL Options

- 0 No Side Panel On product
- 1 Two Side Panels, left / right included in shipping configuration
- 2 One Side Panel Only on Left Side
- 3 One Side Panel Only on Right Side

LN-AA

XXU

WW

DD

CC

LN Corporate codification beginning letters mentioning Lande in Short Format as LN

AA Family Group of Enclosure; FS for Free Standing cabinets, WM for Wall Mounting Cabinets, SH for Small office Home office Range, SR for Server enclosure Range, SL for Slim series, RS for Home series wall cabinets

XX Numeric Character defining the height of enclosures, depending on model differences between 12 to 45 to be selected from price list, website or catalogue

U U Height Alfanumeric Notation, concrete (non editable- fixed character)

WW The First 2 digits of the width info, 60 for W=600mm, 80 for W=800mm, 54 for W=540mm, 30 for W=300mm Soho 10" enclosure

DD The First 2 digits of the depth info, 45 for D=450mm, 40 for D=400mm, 60 for D=600mm, 80 for D=800mm, 10 for D=1000mm cabinets

CC Color Code, LG for Light Grey RAL 7035, BL for Black RAL 9005

000

0 Front Door Variation number, numeric character 1 to 9 / 0 means no front door, standard front door defined in Lande System as option 1., Please select other variations if needed from above door selection drawing. Unless defined option 1 should be delivered

0 Rear Door Variation number, numeric character 1 to 9 / 0 means no rear door, standard rear door defined in Lande System as option 1., Please select other variations if needed from above door selection drawing. Unless defined option 1 should be delivered

0 Side Panel/Door Variation number, numeric character 1 to 9 / 0 means no side panel on product, standard side panel/door defined in Lande System as option 1. Unless defined option 1 should be delivered

اطلب من ذوي
الخبرة بدلا من العلماء

Ask the experienced
rather than the
learned.

Arab Proverb

Width=600mm
Depth=800mm

Load Capacity: 600 kgs.

Standard Heights:

10 different U heights: 12U, 16U,
20U, 22U, 26U, 32U, 36U, 39U,
42U, 45U

Standards, and Compliances:



ISO 9001:2008
Quality Management System

EN 61587 -1:2012
Mechanical Structures for
Electronic Equipment

IEC 297-1, 19" mounting
IEC 297-2 Overall cabinet dimensions



CE conform to
EN 60950-1:2006
Information Technology
Equipment – Safety – Part-1-
General Requirements

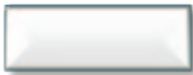


Environment Friendly;
*Environmental awareness
*RoHS compliancy
*% 100 Recyclable
Material

Standard Colors:



RAL 9005 Black



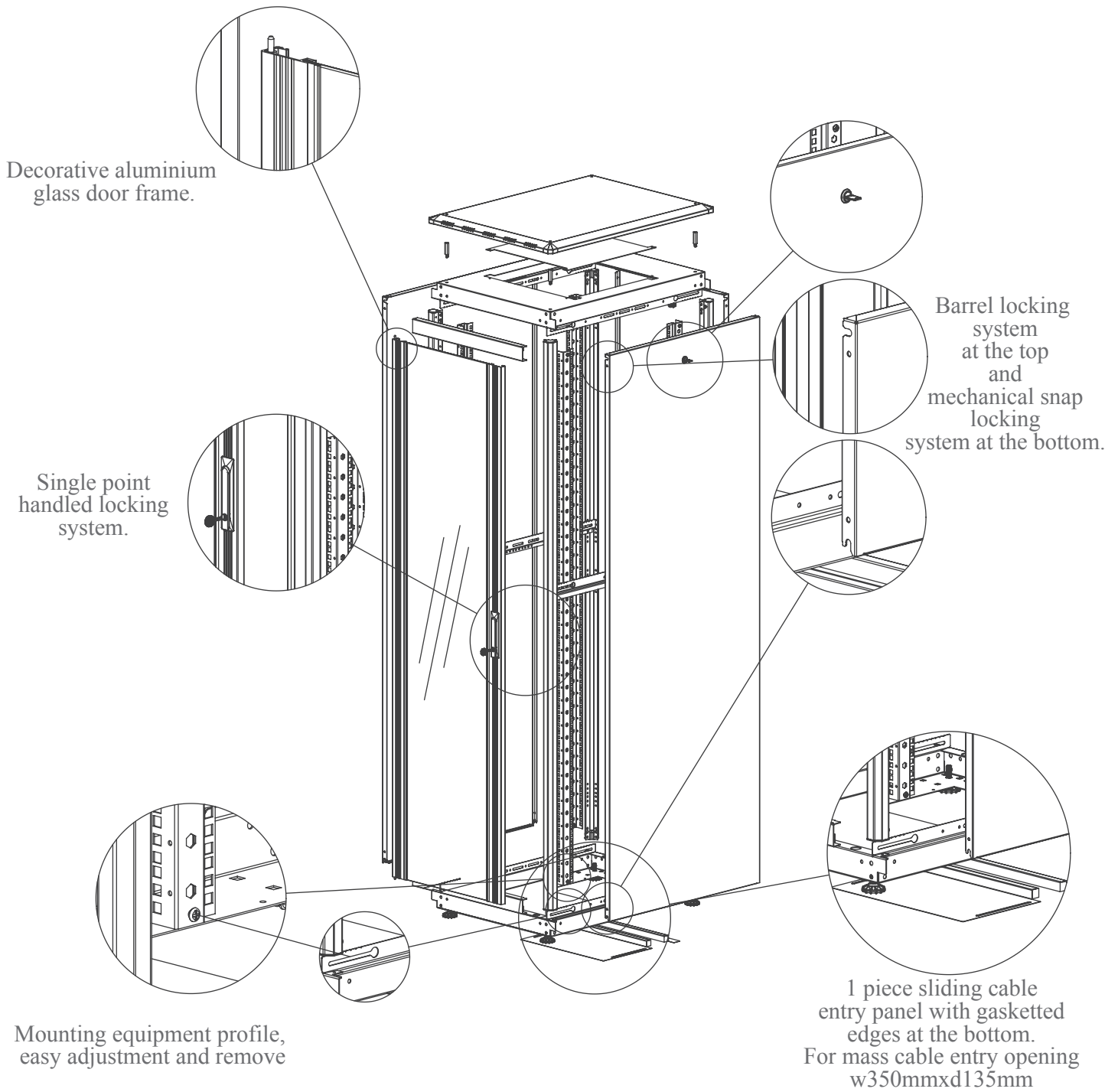
RAL 7035 Light Grey

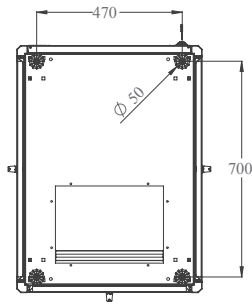
DYNAMIC series Networking Enclosures, with 19" w:600mm
and d:800mm physical sizes, with max internal usable depth
and 10 different height, gives a wide selection chart for users.

*** Please see door options in page 20

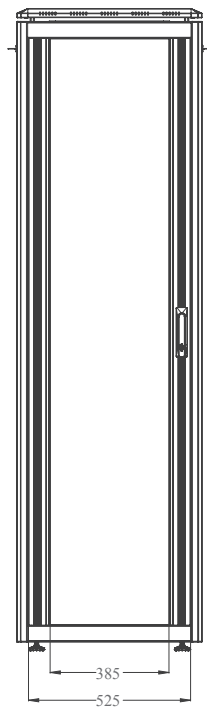


DETAILS ON
EXPLODED VIEW

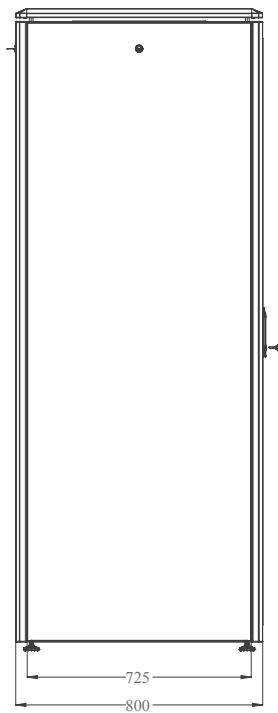




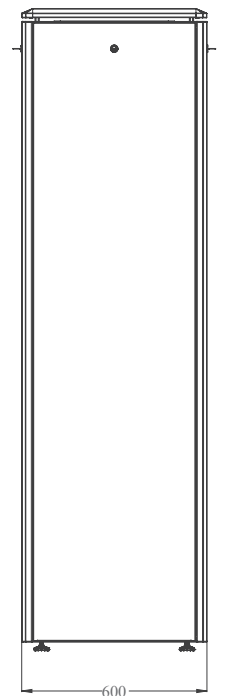
BOTTOM VIEW



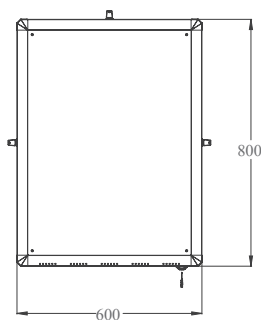
FRONT VIEW



SIDE VIEW



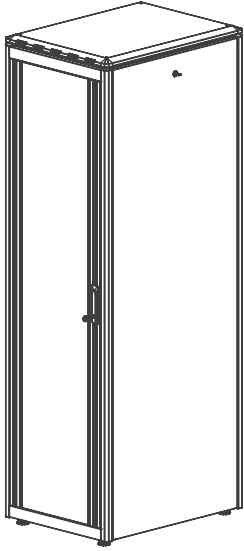
REAR VIEW



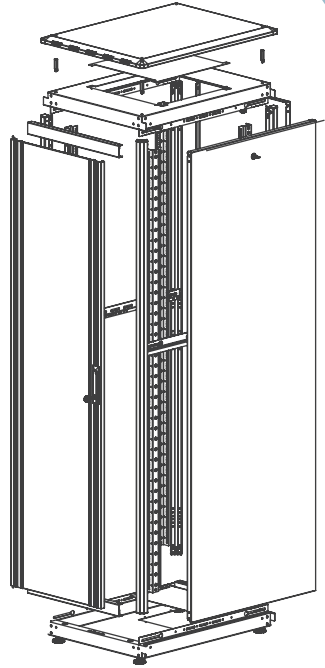
TOP VIEW

CONSTRUCTION
DRAWING

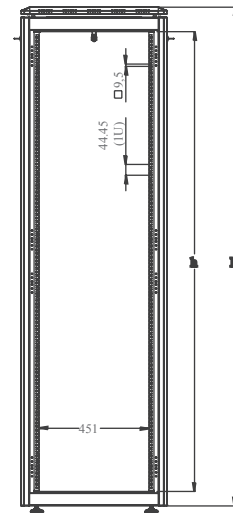
CONSTRUCTION
DRAWING



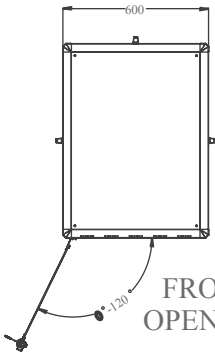
ISOMETRIC VIEW



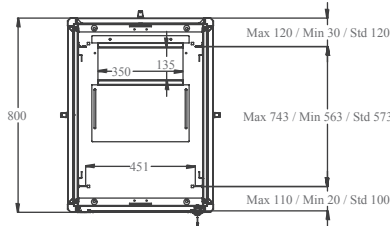
EXPLODED VIEW



DIMENSIONS
IN
WIDTH AND HEIGHT



FRONT DOOR
OPENING ANGLE



MAX/STD/MIN
EQUIPMENT
MOUNTING
DISTANCE

DYNAmic Series Free Standing 19" Cabinets W=600mm D=800mm

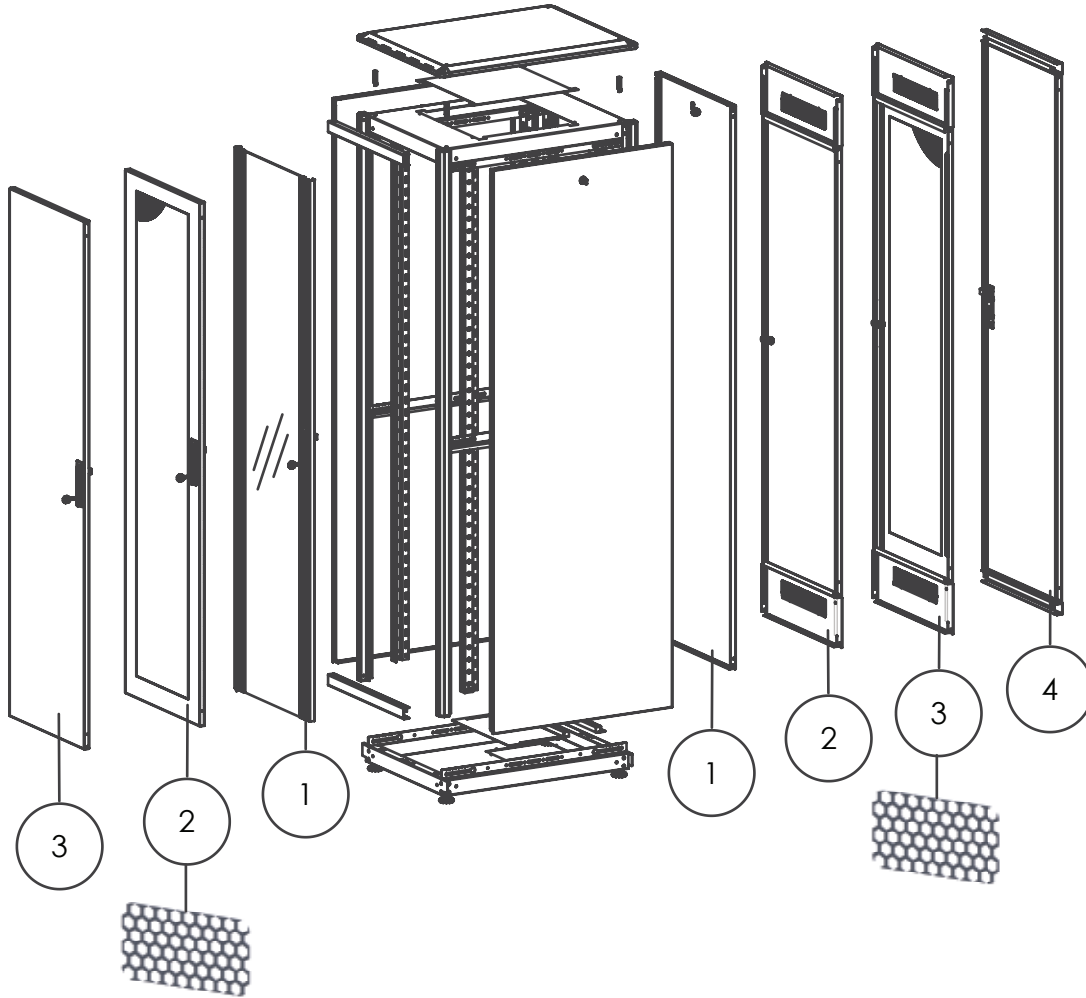
ROOT Product Number ***	Product Description	Size WxDxH mm	h size in U	h in mm	*H mm, overall without feet and/or castor	Width Overall mm	Width Rail to Rail	Depth Overall mm	**Depth Shipping Conf. Rail to Rail mm	QTY IN PACKAGE	PACKING DIMENSIONS WxDxH mm	Standard NET Weight of product kgs	Gross Weight of Product kgs	QTY IN PALETTE	PALETTE DIMENSIONS WxDxH mm	Palette Weight kgs
LN-FS12U6080-CC-111	12U 19" Free Standing Cabinet W=600mm D=800mm	600X800x720	12U	533	720	600	19"	800	570	1	680x880x850	42,2	49,6	2	680x880x1700	99,2
LN-FS16U6080-CC-111	16U 19" Free Standing Cabinet W=600mm D=800mm	600X800x898	16U	711	898	600	19"	800	570	1	680x880x1020	48	55,9	2	680x880x2076	111,8
LN-FS20U6080-CC-111	20U 19" Free Standing Cabinet W=600mm D=800mm	600X800x1076	20U	889	1076	600	19"	800	570	1	680x880x1216	55,6	61,2	2	680x880x2432	122,4
LN-FS22U6080-CC-111	22U 19" Free Standing Cabinet W=600mm D=800mm	600X800x1164	22U	978	1164	600	19"	800	570	1	680x880x1305	58,6	64,2	2	680x880x2608	128,4
LN-FS26U6080-CC-111	26U 19" Free Standing Cabinet W=600mm D=800mm	600X800x1342	26U	1155	1342	600	19"	800	570	1	680x880x1482	60,7	69,8	1	680x880x1482	71,8
LN-FS32U6080-CC-111	32U 19" Free Standing Cabinet W=600mm D=800mm	600X800x1609	32U	1422	1609	600	19"	800	570	1	680x880x1749	70	79,9	1	680x880x1749	81,9
LN-FS36U6080-CC-111	36U 19" Free Standing Cabinet W=600mm D=800mm	600X800x1787	36U	1600	1787	600	19"	800	570	1	680x880x1927	76,1	86,4	1	680x880x1927	88,4
LN-FS39U6080-CC-111	39U 19" Free Standing Cabinet W=600mm D=800mm	600X800x1920	39U	1733	1923	600	19"	800	570	1	680x880x2063	79,3	90	1	680x880x2063	92,1
LN-FS42U6080-CC-111	42U 19" Free Standing Cabinet W=600mm D=800mm	600X800x2053	42U	1867	2053	600	19"	800	570	1	680x880x2193	83,7	94,7	1	680x880x2193	96,8
LN-FS45U6080-CC-111	45U 19" Free Standing Cabinet W=600mm D=800mm	600X800x2187	45U	2000	2187	600	19"	800	570	1	680x880x2327	87,9	99,3	1	680x880x2327	101,3

* Please add 30mm to H mm once used with Leveling Feet, add 80mm to H mm once used with castor set.

** See min and max Adjustable depth variations on drawings.

***CC= LG for Light Grey RAL 7035 & BL for Black RAL 9005 for customers to define while ordering, for "111" selection please see the door options.





DYNAMIC Free Standing Cabinet W=600mm D=800mm
All Heights FRONT DOOR Options

- 0 Without front Door
- 1 Single Opening, Flat Shape, Side Framed Glass Front Door, Single Point Handled Locking.
- 2 Single Opening, Flat Shape, Complete Framed %63 perforated, Solid Metal Front Door, Single Point Handled Locking
- 3 Single Opening, Flat Shape, Complete Solid Metal Front Door, Single Point Handled Locking

DYNAMIC Free Standing Cabinet W=600mm D=800mm
All Heights REAR DOOR Options

- 0 Without Rear Door
- 1 Solid Metal Panel, Snap locking and Barrel Lock, Single Point Locking
- 2 Single Opening, Flat Shaped, Solid Metal Rear Door, Single Point Barrel Locking, Hinged, Top/bottom Cable entry, and Top/Bottom Metal Bracket Set
- 3 Single Opening, Flat Shape, Complete Framed %63 perforated, Solid Metal Rear Door, Single Point Handled Locking, Top/Bottom Metal Bracket Set.
- 4 Single Opening, Flat Shape, Complete Solid Metal Rear, Single Point Handled Locking, Top/Bottom Metal Bracket Set.

DYNAMIC Free Standing Cabinet
W=600mm D=800mm
All Heights SIDE PANEL Options

- 0 No Side Panel On product
- 1 Two Side Panels, left / right included in shipping configuration
- 2 One Side Panel Only on Left Side
- 3 One Side Panel Only on Right Side

LN-AA

XXU

WW

DD

CC

LN Corporate codification beginning letters mentioning Lande in Short Format as LN

AA Family Group of Enclosure; FS for Free Standing cabinets, WM for Wall Mounting Cabinets, SH for Small office Home office Range, SR for Server enclosure Range, SL for Slim series, RS for Home series wall cabinets

XX Numeric Character defining the height of enclosures, depending on model differences between 12 to 45 to be selected from price list, website or catalogue

U U Height Alfanumeric Notation, concrete (non editable- fixed character)

WW The First 2 digits of the width info, 60 for W=600mm, 80 for W=800mm, 54 for W=540mm, 30 for W=300mm Soho 10" enclosure

DD The First 2 digits of the depth info, 45 for D=450mm, 40 for D=400mm, 60 for D=600mm, 80 for D=800mm, 10 for D=1000mm cabinets

CC Color Code, LG for Light Grey RAL 7035, BL for Black RAL 9005

000

0 Front Door Variation number, numeric character 1 to 9 / 0 means no front door, standard front door defined in Lande System as option 1., Please select other variations if needed from above door selection drawing. Unless defined option 1 should be delivered

0 Rear Door Variation number, numeric character 1 to 9 / 0 means no rear door, standard rear door defined in Lande System as option 1., Please select other variations if needed from above door selection drawing. Unless defined option 1 should be delivered

0 Side Panel/Door Variation number, numeric character 1 to 9 / 0 means no side panel on product, standard side panel/door defined in Lande System as option 1. Unless defined option 1 should be delivered

Width=600mm
Depth=1000mm

Standard Heights:

7 different U heights:

22U, 26U, 32U, 36U, 39U, 42U, 45U

Standards, and Compliances:



ISO 9001:2008

Quality Management System

EN 61587 -1:2012

Mechanical Structures for
Electronic Equipment

IEC 297-1, 19" mounting

IEC 297-2 Overall cabinet dimensions



CE conform to

EN 60950-1:2006

Information Technology
Equipment – Safety – Part-1-
General Requirements



Environment Friendly;

*Environmental awareness

*RoHS compliancy

*% 100 Recyclable
Material

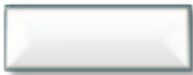
Load Capacity: 600 kgs.



Standard Colors:



RAL 9005 Black



RAL 7035 Light Grey

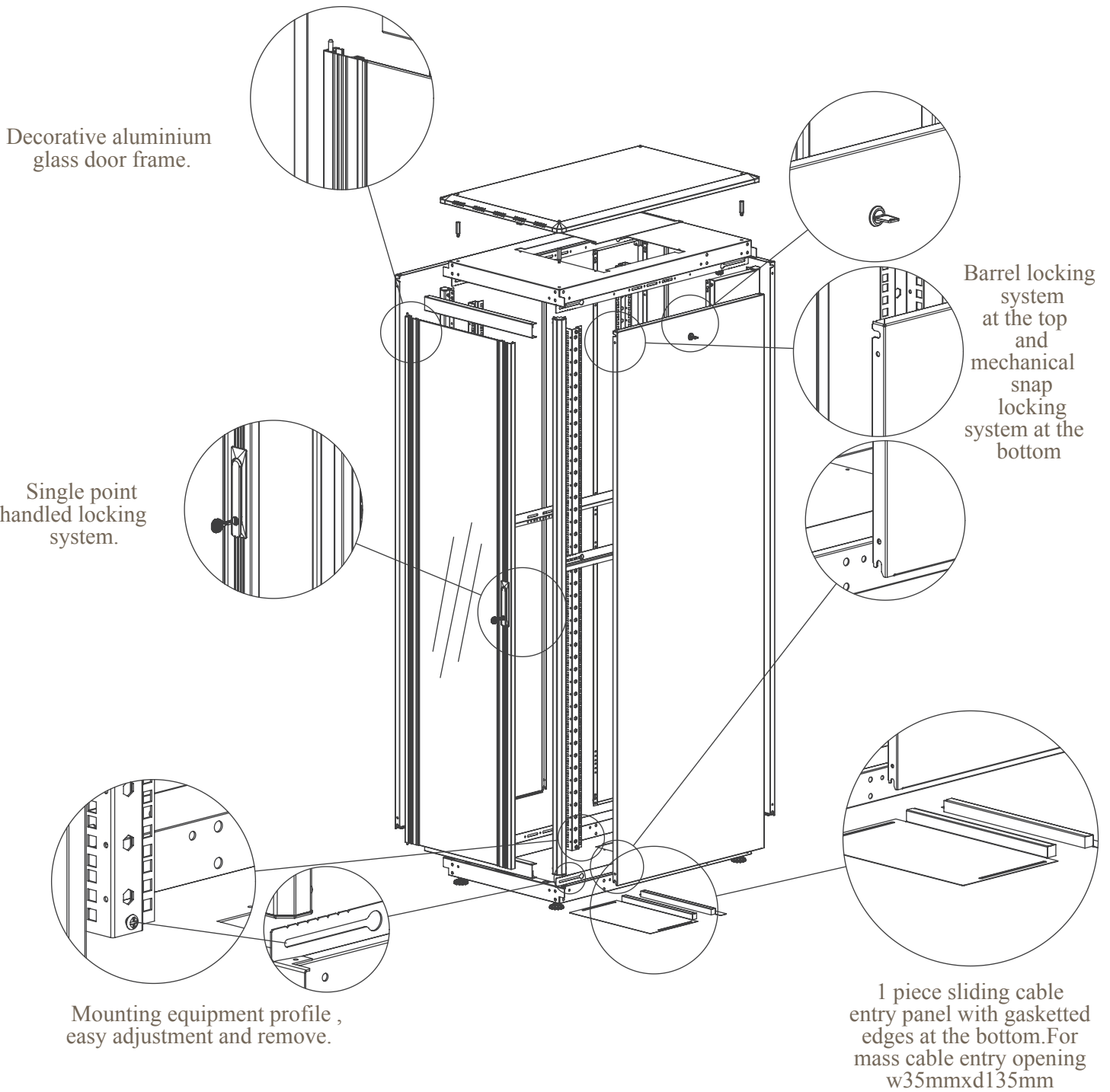
DYNAMIC series Networking Enclosures, with 19" w:600mm and d:1000mm physical sizes, with max internal usable depth and 7 different height, gives a wide selection chart for users.

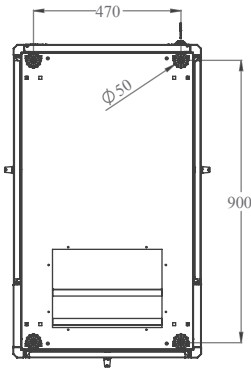
With perforated pattern front and rear door choice would give possibility of usage in private / low density server and storage applications with efficient cost scheme in infrastructure application.

*** Please see door options in page 26

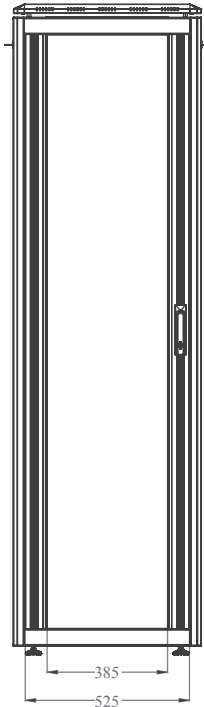


DETAILS ON
EXPLODED VIEW

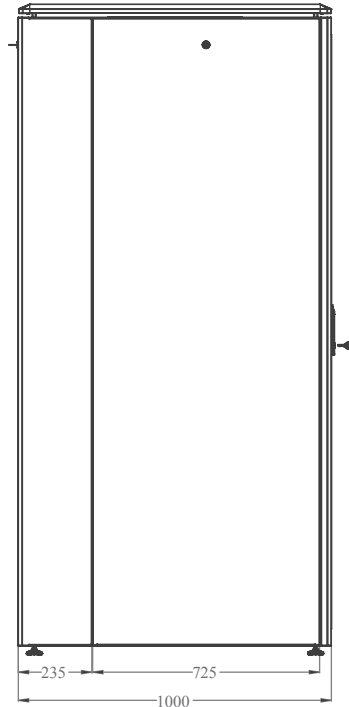




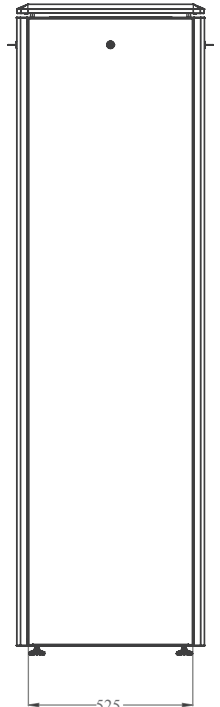
BOTTOM VIEW



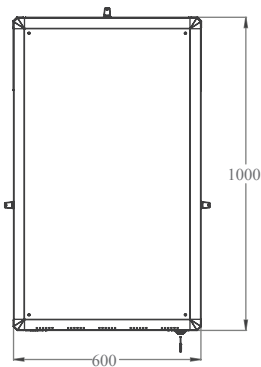
FRONT VIEW



SIDE VIEW



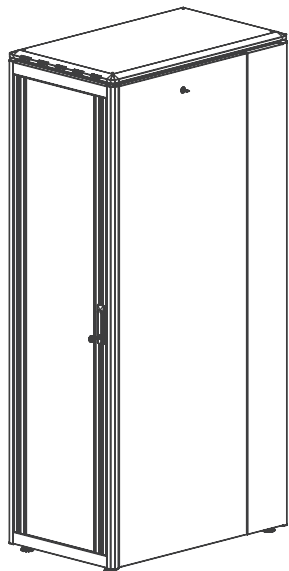
REAR VIEW



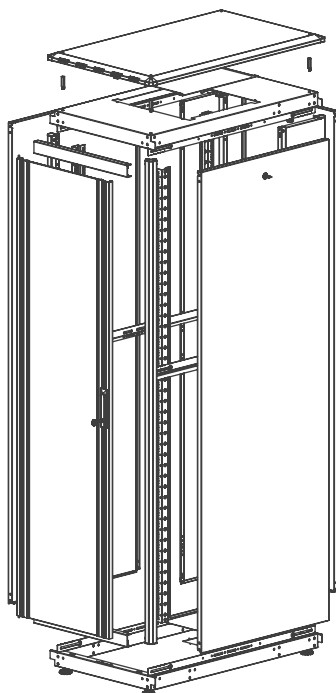
TOP VIEW

CONSTRUCTION
DRAWING

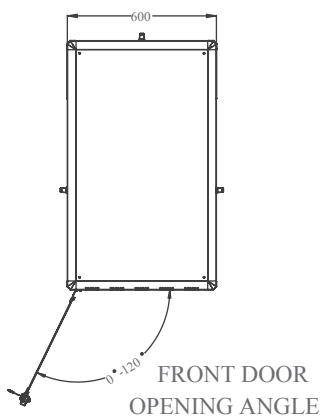
CONSTRUCTION
DRAWING



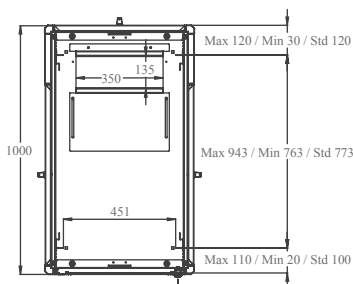
ISOMETRIC VIEW



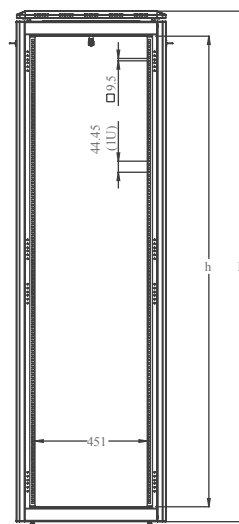
EXPLODED VIEW



FRONT DOOR
OPENING ANGLE



MAX/STD/MIN
EQUIPMENT
MOUNTING
DISTANCE



DIMENSIONS
IN
WIDTH AND HEIGHT

DYNAMIC Series Free Standing 19" Cabinets W=600mm D=1000mm

ROOT Product Number ***	Product Description	Size WxDxH mm	h size in U	h in mm	*H mm, overall without feet and/or castor	Width Overall mm	Width Rail to Rail mm	Depth Overall mm	**Depth Shipping Conf. Rail to Rail mm	QTY IN PACKAGE	PACKING DIMENSIONS WxDxH mm	Standard NET Weight of product kgs	Gross Weight of Product kgs	QTY IN PALETTE	PALETTE DIMENSIONS WxDxH mm	Palette Weight kgs
LN-FS22U6010-CC-111	22U 19" Free Standing Cabinet W=600mm D=1000mm	600x1000x1164	22U	978	1164	600	19"	1000	770	1	680x1080x1305	135,8	142	2	680x1080x2608	158
LN-FS26U6010-CC-111	26U 19" Free Standing Cabinet W=600mm D=1000mm	600x1000x1342	26U	1155	1342	600	19"	1000	770	1	680x1080x1482	77	80,5	1	680x1080x1482	88,5
LN-FS32U6010-CC-111	32U 19" Free Standing Cabinet W=600mm D=1000mm	600x1000x1609	32U	1422	1609	600	19"	1000	770	1	680x1080x1749	89,3	93,7	1	680x1080x1749	101,7
LN-FS36U6010-CC-111	36U 19" Free Standing Cabinet W=600mm D=1000mm	600x1000x1787	36U	1600	1787	600	19"	1000	770	1	680x1080x1927	97	102	1	680x1080x1927	110
LN-FS39U6010-CC-111	39U 19" Free Standing Cabinet W=600mm D=1000mm	600x1000x1920	39U	1733	1923	600	19"	1000	770	1	680x1080x2063	101,5	107	1	680x1080x2063	114,9
LN-FS42U6010-CC-111	42U 19" Free Standing Cabinet W=600mm D=1000mm	600x1000x2053	42U	1867	2053	600	19"	1000	770	1	680x1080x2193	107	112,9	1	680x1080x2193	120,8
LN-FS45U6010-CC-111	45U 19" Free Standing Cabinet W=600mm D=1000mm	600x1000x2187	45U	2000	2187	600	19"	1000	770	1	680x1080x2327	112	118,4	1	680x1080x2327	126,4

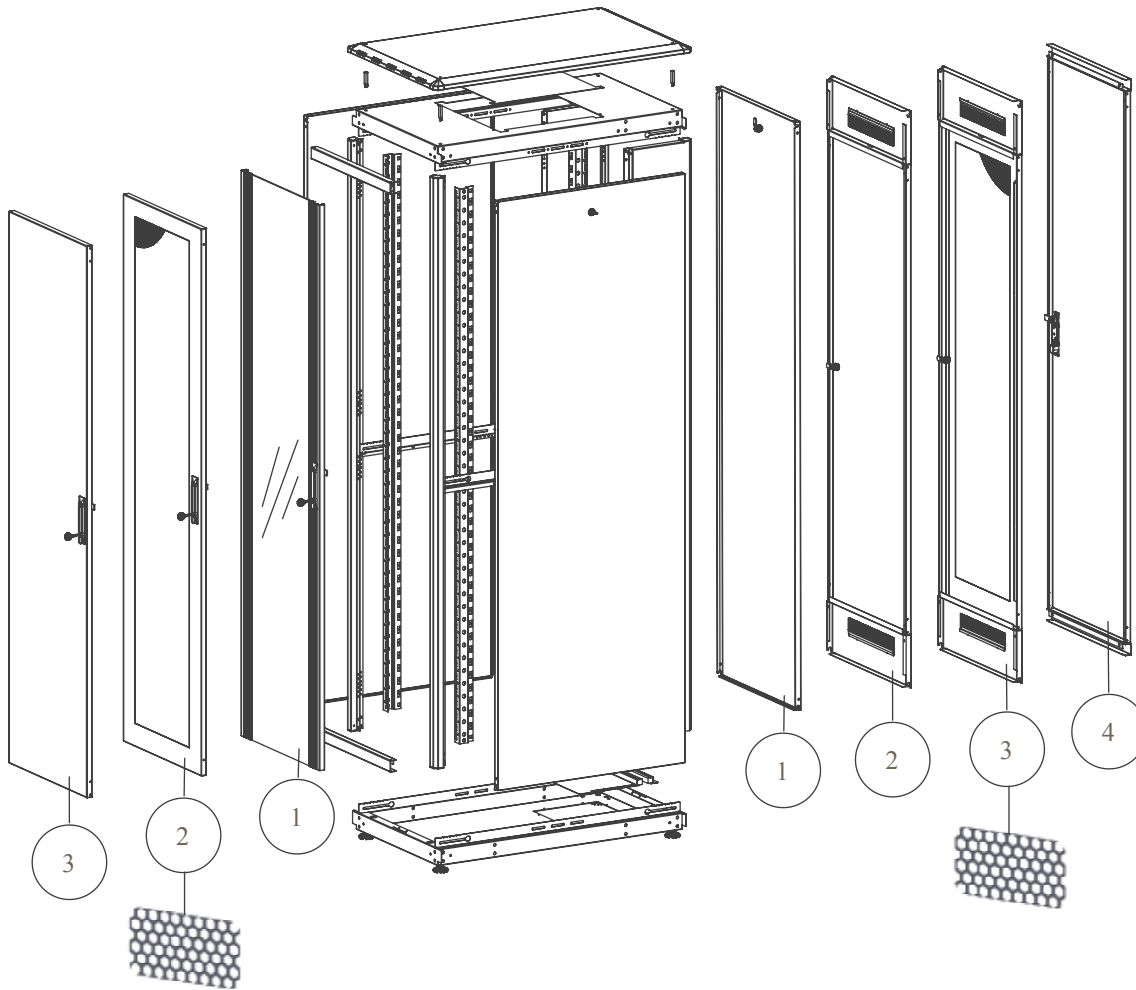
* Please add 30mm to H mm once used with Leveling Feet, add 80mm to H mm once used with castor set.

** See min and max Adjustable depth variations on drawings.

***CC= LG for Light Grey RAL 7035 & BL for Black RAL 9005 for customers to define while ordering, for "111" selection please see the door options.



DOOR
OPTIONS



DYNAMIC Free Standing Cabinet W=600mm D=1000mm
All Heights FRONT DOOR Options

- 0 Without front Door
- 1 Single Opening, Flat Shape, Side Framed Glass Front Door, Single Point Handled Locking.
- 2 Single Opening, Flat Shape, Complete Framed %63 perforated, Solid Metal Front Door, Single Point Handled Locking
- 3 Single Opening, Flat Shape, Complete Solid Metal Front Door, Single Point Handled Locking

DYNAMIC Free Standing Cabinet W=600mm D=1000mm
All Heights REAR DOOR Options

- 0 Without Rear Door
- 1 Solid Metal Panel, Snap locking and Barrel Lock, Single Point Locking
- 2 Single Opening, Flat Shaped, Solid Metal Rear Door, Single Point Barrel Locking, Hinged, Top/bottom Cable entry, and Top/Bottom Metal Bracket Set
- 3 Single Opening, Flat Shape, Complete Framed %63 perforated, Solid Metal Rear Door, Single Point Handled Locking, Top/Bottom Metal Bracket Set
- 4 Single Opening, Flat Shape, Complete Solid Metal Rear, Single Point Handled Locking, Top/Bottom Metal Bracket Set.

DYNAMIC Free Standing Cabinet
W=600mm D=1000mm
All Heights SIDE PANEL Options

- 0 No Side Panel On product
- 1 Two Side Panels, left / right included in shipping configuration
- 2 One Side Panel Only on Left Side
- 3 One Side Panel Only on Right Side

LN-AA

XXU

WW

DD

CC

LN Corporate codification beginning letters mentioning Lande in Short Format as LN

AA Family Group of Enclosure; FS for Free Standing cabinets, WM for Wall Mounting Cabinets, SH for Small office Home office Range, SR for Server enclosure Range, SL for Slim series, RS for Home series wall cabinets

XX Numeric Character defining the height of enclosures, depending on model differences between 12 to 45 to be selected from price list, website or catalogue

U U Height Alphanumeric Notation, concrete (non editable- fixed character)

WW The First 2 digits of the width info, 60 for W=600mm, 80 for W=800mm, 54 for W=540mm, 30 for W=300mm Soho 10" enclosure

DD The First 2 digits of the depth info, 45 for D=450mm, 40 for D=400mm, 60 for D=600mm, 80 for D=800mm, 10 for D=1000mm cabinets

CC Color Code, LG for Light Grey RAL 7035, BL for Black RAL 9005

000

0 Front Door Variation number, numeric character 1 to 9 / 0 means no front door, standard front door defined in Lande System as option 1., Please select other variations if needed from above door selection drawing. Unless defined option 1 should be delivered

0 Rear Door Variation number, numeric character 1 to 9 / 0 means no rear door, standard rear door defined in Lande System as option 1., Please select other variations if needed from above door selection drawing. Unless defined option 1 should be delivered

0 Side Panel/Door Variation number, numeric character 1 to 9 / 0 means no side panel on product, standard side panel/door defined in Lande System as option 1. Unless defined option 1 should be delivered



CONSTRUCTION DETAILS:

DYNAMIC Series Free Standing w:800mm enclosures carry the same features of family where some additional features or advantages are offered with.

Front door is integrated with decorative aluminium extruded frames at left and right sides of the splitted glass doors, full length smoked , shatterproof, antistatic, 4,0mm thickness glass door with barrel locking on top and bottom supplied in standard configuration.

Possible to have complete framed glass doors, %63 perforated door single and double doors, or fully metal solid front doors with handled locking system.

** Please see other door variations at page 34, 40, 46.

Bottom case integrated with Wide cable entry point provides maximum versatility. The rubber edged sliding mechanism on the cable entry point at bottom with w=350mmd=250mm allows large cabling infrastructure applications. On rubber edged sliding mechanism max cable entry opening is w=350xd=150mm. After inserting the cables, the rubber edged mechanism holds and fixes the cables in parallel preventing the cabinet from dust entry. Additionally w:800mm segment has 80x300mm brushed cable entry points 2 pieces at bottom and 2 pieces on top case and roof for mass cable entry needs.

For some more cabling needs there are also brushed cable entry possibility on top and bottom of the rear door.

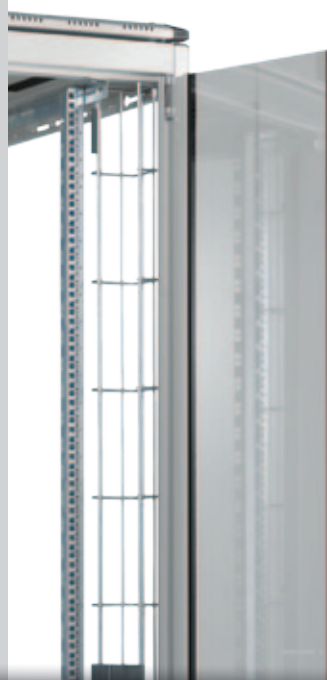
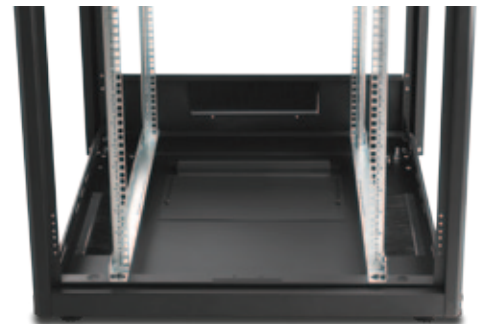
** Please see additional cable entry possibility in door variations at page 34, 40, 46.

All W=800mm model cabinets are subject to selection of Vertical cable manager, wiremesh structure with highly Decorative Aluminium extruded front panel with snap lockers.

The Decorative Aluminium extruded front panel of vertical cable manager is splitted in to 2 parts, up and down parts higher than 36U size, so;

Possible to open the needed front panel only while maintenance, replacement, definition or labeling of the needed cable. 32U and less heights have one single piece front cover plate on the cable manager.

** Possible to open the front panel left to right or right to left.



19" DYNAMIC Free Standing Additional Features at WIDTH : 800 m m . S E G M E N T

DYNAMIC series Networking Enclosures, with 19" w:800mm physical sizes with max cable housing possibility and wide selection of depth and height.

All W=800mm model cabinets are constructionally proper for the Vertical Cable Management systems. The Lande 800 wide segment designed with highly efficient and customer friendly vertical wire mesh cable management channel with Decorative Aluminium extruded snap locking front cover panel.

The Decorative Aluminium extruded front panel of vertical cable manager is splitted in to 2 parts, up and down parts for higher than 36U size, so;

Possible to open the needed front panel only while maintenance, replacement, definition or labeling of the needed cable. 32U and less heights has one single piece front cover plate have on the cable manager.

** possible to open the front panel of vertical cable manager left to right or right to left



19" DYNAMIC Free Standing Additional Features at
WIDTH : 800 m m . S E G M E N T

DYNAMIC Series w:800mm Segment product range with Vertical Cable manager provides visually a clean and technically professional cabling work, where the main cable bundles are housed and hidden in the vertical cable manager trunks. Once needed to reach the specified cable is easier.

Additional Vertical Cable Tray w:100mm can be housed at back side where the main cable bundles run through. Extensibility feature of cable trays by using 2 pcs for 200mm wide, 3 pcs for 300mm wide cable tray system could be managed.



Width=800mm
Depth=600mm

Standard Heights:

7 different U heights:

22U, 26U, 32U, 36U, 39U, 42U, 45U

Standards, and Compliances:

**ISO 9001:2008**

Quality Management System

EN 61587 -1:2012

Mechanical Structures for
Electronic Equipment

IEC 297-1, 19" mounting

IEC 297-2 Overall cabinet dimensions

**CE conform to**

EN 60950-1:2006

Information Technology
Equipment – Safety – Part-1-
General Requirements**Environment Friendly;**

*Environmental awareness

*RoHS compliancy

*% 100 Recyclable
Material**Load Capacity: 600 kgs.**

DYNAMIC series Networking Enclosures, with 19" w:800mm and d:600mm physical sizes, with max internal usable depth, and 7 different height, gives a wide selection chart for users.

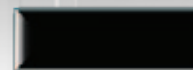
All W=800mm model cabinets are constructionally proper for the Vertical Cable Management systems. The Lande 800 wide segment designed with highly

efficient and customer friendly vertical wire mesh cable management channel with Decorative Aluminium extruded snap locking front cover panel.

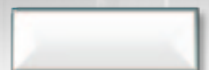
The Decorative Aluminium extruded front panel of vertical cable manager is splitted in to 2 parts, up and down parts, so

Possible to open the needed front panel only while maintenance, replacement, definition or labeling of the needed cable.

*** Please see door options in page 34

Standard Colors:

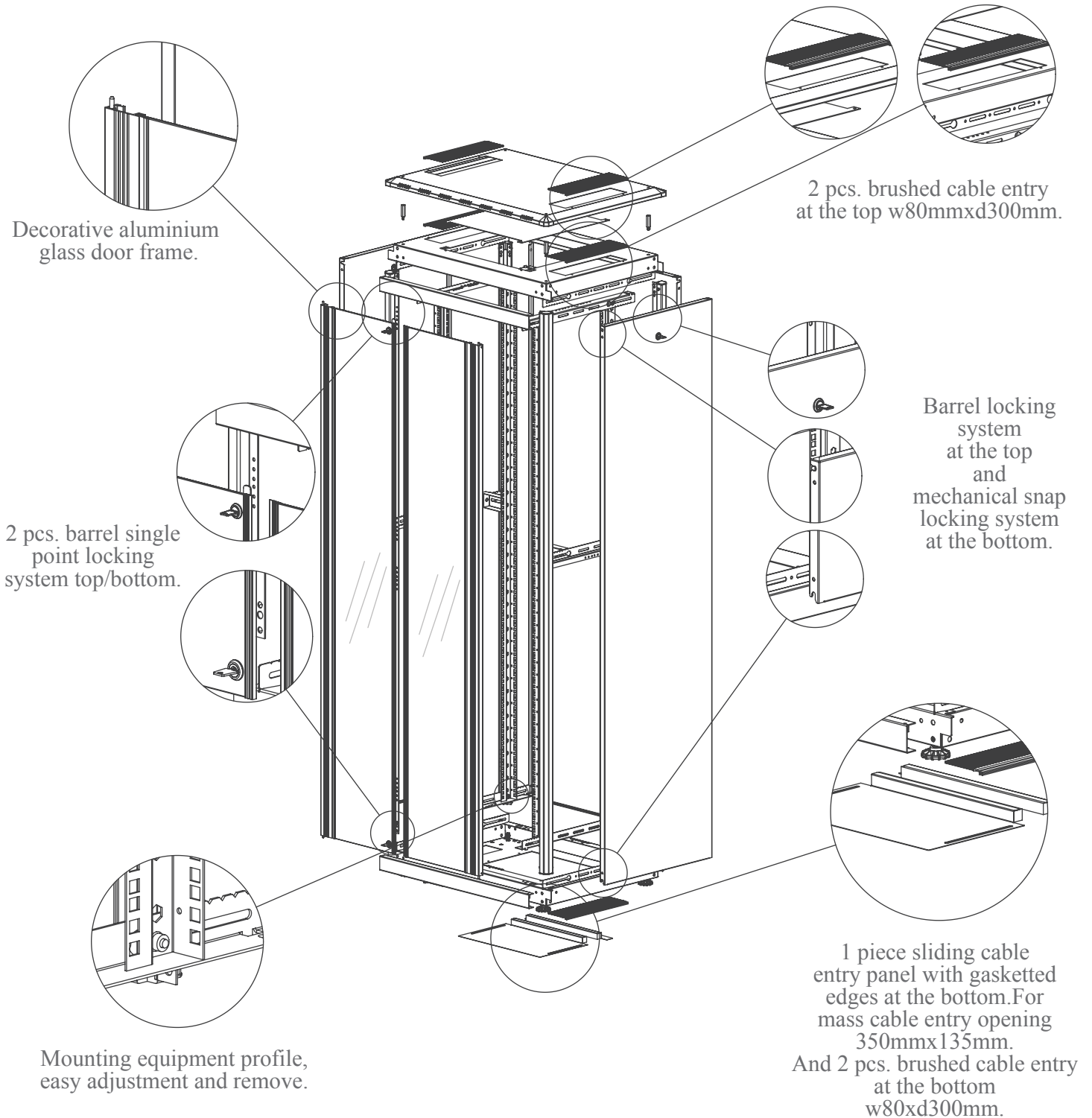
RAL 9005 Black

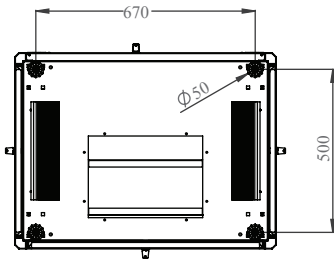


RAL 7035 Light Grey

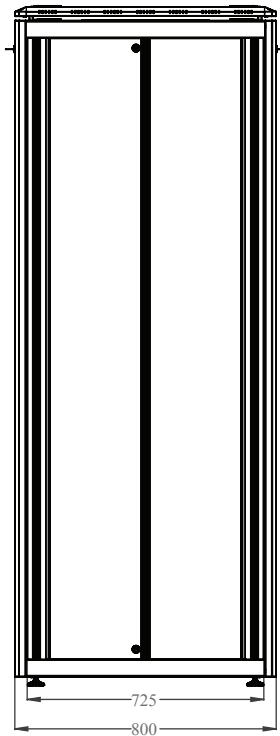


DETAILS ON
EXPLODED VIEW

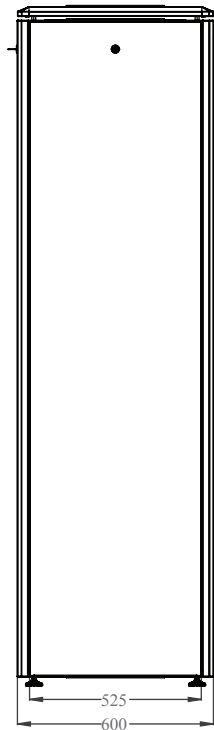




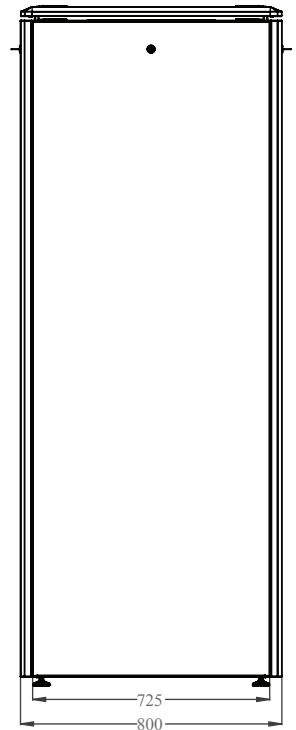
BOTTOM VIEW



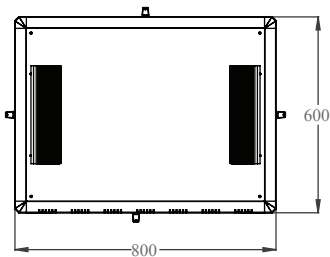
FRONT VIEW



SIDE VIEW



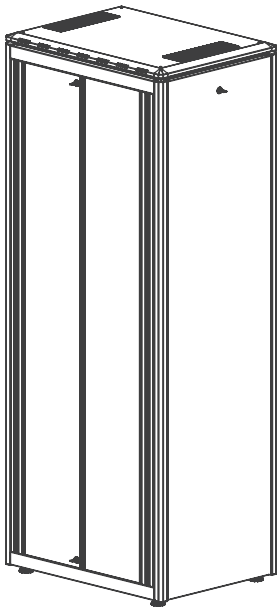
REAR VIEW



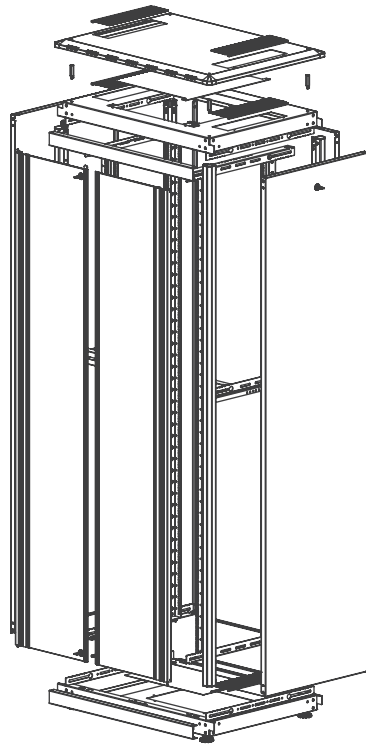
TOP VIEW

CONSTRUCTION
DRAWING

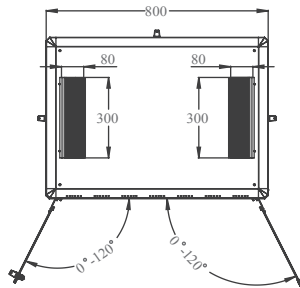
CONSTRUCTION
DRAWING



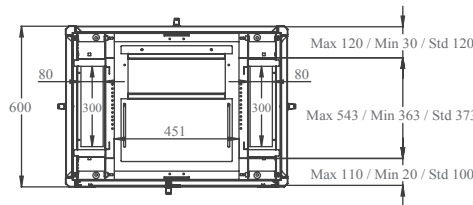
ISOMETRIC VIEW



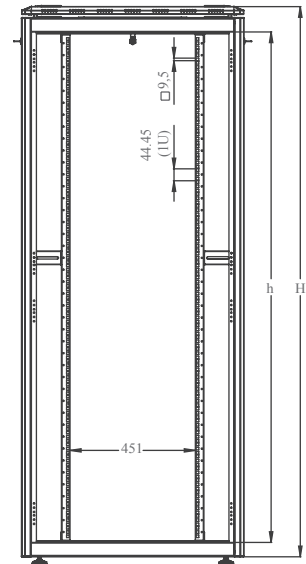
EXPLODED VIEW



FRONT DOOR
OPENING ANGLE



MAX/STD/MIN
EQUIPMENT
MOUNTING
DISTANCE



DIMENSIONS
IN
WIDTH AND HEIGHT

DYNAMIC Series Free Standing 19" Cabinets W=800mm D=600mm

ROOT Product Number ***	Product Description	Size WxDxH mm	h size in U	h in mm	*H mm, overall without feet and/or castor	Width Overall mm	Width Rail to Rail mm	Depth Overall mm	**Depth Shipping Conf. Rail to Rail mm	QTY IN PACKAGE	PACKING DIMENSIONS WxDxH mm	Standard NET Weight of product kgs	Gross Weight of Product kgs	QTY IN PALETTE	PALETTE DIMENSIONS WxDxH mm	Palette Weight kgs
LN-FS22U8060-CC-111	22U 19" Free Standing Cabinet W=800mm D=600mm	800x600x1164	22U	978	1164	800	19"	600	370	1	880x680x1305	56,5	65	2	880x680x2608	130
LN-FS26U8060-CC-111	26U 19" Free Standing Cabinet W=800mm D=600mm	800x600x1342	26U	1155	1342	800	19"	600	370	1	880x680x1482	61,7	71	1	880x680x1482	73
LN-FS32U8060-CC-111	32U 19" Free Standing Cabinet W=800mm D=600mm	800x600x1609	32U	1422	1609	800	19"	600	370	1	880x680x1749	71,4	81	1	880x680x1749	83,2
LN-FS36U8060-CC-111	36U 19" Free Standing Cabinet W=800mm D=600mm	800x600x1787	36U	1600	1787	800	19"	600	370	1	880x680x1927	77,5	88	1	880x680x1927	89,9
LN-FS39U8060-CC-111	39U 19" Free Standing Cabinet W=800mm D=600mm	800x600x1920	39U	1733	1923	800	19"	600	370	1	880x680x2063	81,4	92	1	880x680x2063	94
LN-FS42U8060-CC-111	42U 19" Free Standing Cabinet W=800mm D=600mm	800x600x2053	42U	1867	2053	800	19"	600	370	1	880x680x2193	85,6	96,7	1	880x680x2193	98,7
LN-FS45U8060-CC-111	45U 19" Free Standing Cabinet W=800mm D=600mm	800x600x2187	45U	2000	2187	800	19"	600	370	1	880x680x2327	89,8	101,3	1	880x680x2327	103

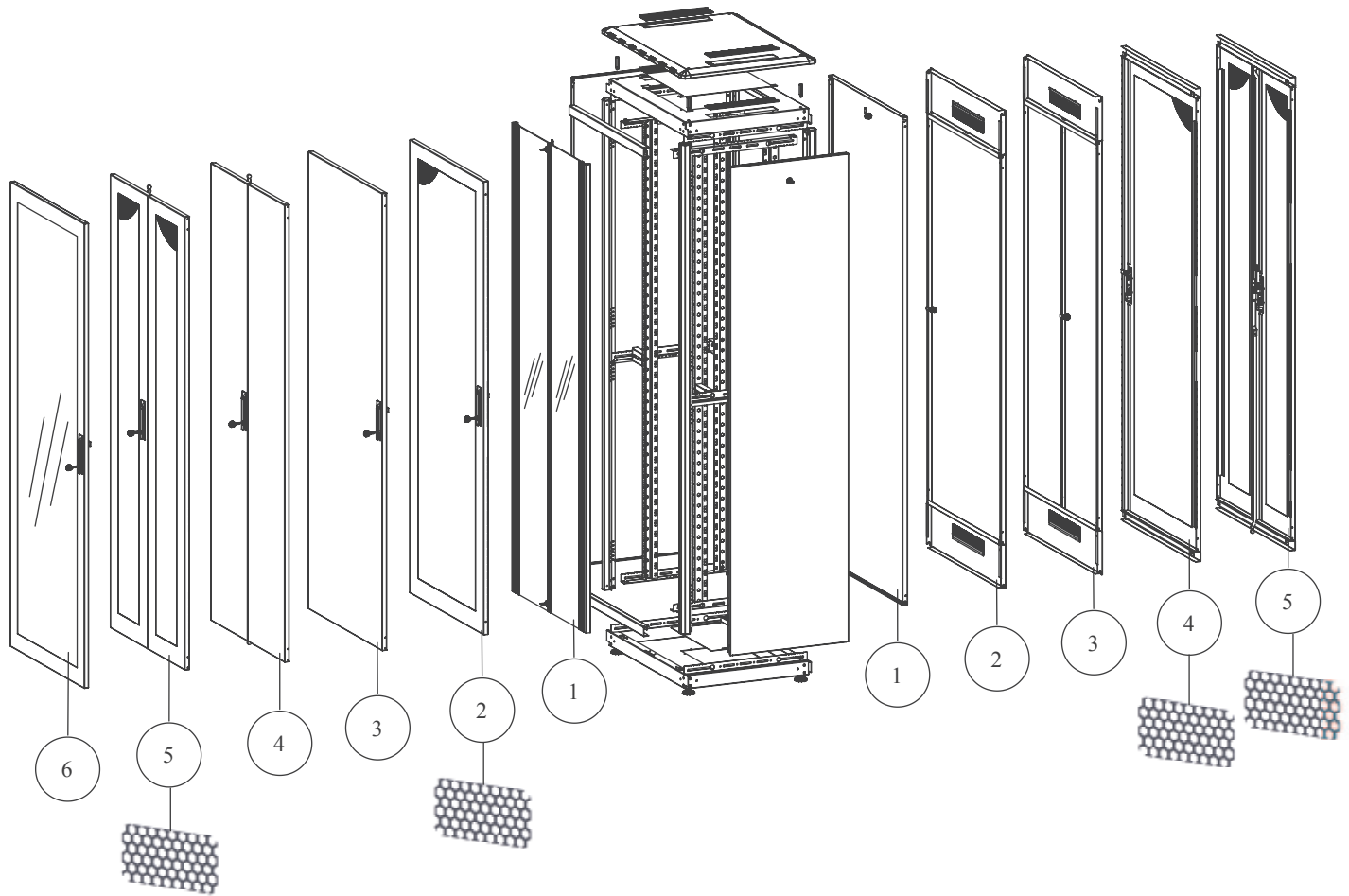
* Please add 30mm to H mm once used with Leveling Feet, add 80mm to H mm once used with castor set.

** See min and max Adjustable depth variations on drawings.

***CC= LG for Light Grey RAL 7035 & BL for Black RAL 9005 for customers to define while ordering, for "111" selection please see the door options.



DOOR
OPTIONS



DYNAMIC Free Standing Cabinet W=800mm D=600mm
All Heights FRONT DOOR Options

- 0 Without front Door
- 1 Double Opening, Flat Shape, Side Framed Glass Front Door, Single Point Barrel Locking TOP/BOTTOM
- 2 Single Opening, Flat Shape, Complete Framed %63 perforated, Solid Metal Front Door, Single Point Handled Locking
- 3 Single Opening, Flat Shape, Complete Solid Metal Front Door, Single Point Handled Locking
- 4 Double Opening, Flat Shape, Complete Solid Metal Front Door, 3 Point Handled Locking
- 5 Double Opening, Flat Shape, Complete Framed %63 perforated, Solid Metal Front Door, 3 Point Handled Locking
- 6 Single Opening, Flat Shape, Complete Framed Glass Front Door, Single Point Handled Locking

DYNAMIC Free Standing Cabinet W=800mm D=600mm
All Heights REAR DOOR Options

- 0 Without Rear Door
- 1 Solid Metal Panel, Snap locking and Barrel Lock, Single Point Locking
- 2 Single Opening, Flat Shaped, Solid Metal Rear Door, Single Point Barrel Locking, Hinged, Top/bottom Cable entry, and Top/Bottom Metal Bracket Set
- 3 Double Opening, Flat Shaped, Solid Metal Rear Door, Single Point Barrel Locking, Hinged, Top/bottom Cable entry, and Top/Bottom Metal Bracket Set
- 4 Single Opening, Flat Shape, Complete Framed %63 perforated, Solid Metal Rear Door, Single Point Handled Locking, Top/Bottom Metal Bracket Set.
- 5 Double Opening, Flat Shape, Complete Framed %63 perforated, Solid Metal Rear Door, 3 Point Handled Locking, Top/Bottom Metal Bracket Set.

DYNAMIC Free Standing Cabinet W=800mm D=600mm
All Heights SIDE PANEL Options

- 0 No Side Panel On product
- 1 Two Side Panels, left / right included in shipping configuration
- 2 One Side Panel Only on Left Side
- 3 One Side Panel Only on Right Side

LN-AA

XXU

WW

DD

CC

LN Corporate codification beginning letters mentioning Lande in Short Format as LN

AA Family Group of Enclosure; FS for Free Standing cabinets, WM for Wall Mounting Cabinets, SH for Small office Home office Range, SR for Server enclosure Range, SL for Slim series, RS for Home series wall cabinets

XX Numeric Character defining the height of enclosures, depending on model differences between 12 to 45 to be selected from price list, website or catalogue

U U Height Alfanumeric Notation, concrete (non editable- fixed character)

WW The First 2 digits of the width info, 60 for W=600mm, 80 for W=800mm, 54 for W=540mm, 30 for W=300mm Soho 10" enclosure

DD The First 2 digits of the depth info, 45 for D=450mm, 40 for D=400mm, 60 for D=600mm, 80 for D=800mm, 10 for D=1000mm cabinets

CC Color Code, LG for Light Grey RAL 7035, BL for Black RAL 9005

000

0 Front Door Variation number, numeric character 1 to 9 / 0 means no front door, standard front door defined in Lande System as option 1., Please select other variations if needed from above door selection drawing. Unless defined option 1 should be delivered

0 Rear Door Variation number, numeric character 1 to 9 / 0 means no rear door, standard rear door defined in Lande System as option 1., Please select other variations if needed from above door selection drawing. Unless defined option 1 should be delivered

0 Side Panel/Door Variation number, numeric character 1 to 9 / 0 means no side panel on product, standard side panel/door defined in Lande System as option 1. Unless defined option 1 should be delivered





Lako je govoriti, al je
teško stvoriti

It's easy to talk, but it's
difficult to make

Croatian Proverb



Width=800mm
Depth=800mm

Standard Heights:

7 different U heights:

22U, 26U, 32U, 36U, 39U, 42U, 45U

Standards, and Compliances:



ISO 9001:2008

Quality Management System

EN 61587 -1:2012

Mechanical Structures for
Electronic Equipment

IEC 297-1, 19" mounting

IEC 297-2 Overall cabinet dimensions



CE conform to

EN 60950-1:2006

Information Technology
Equipment – Safety – Part-1-
General Requirements



Environment Friendly;

*Environmental awareness

*RoHS compliancy

*% 100 Recyclable
Material

Load Capacity: 600 kgs.



DYNAMIC series Networking Enclosures, with 19" w:800mm and d:800mm physical sizes, with max internal usable depth, and 7 different height, gives a wide selection chart for users.

All W=800mm model cabinets are constructionally proper for the Vertical Cable Management systems. The Lande 800 wide segment designed with highly efficient and customer friendly vertical wire mesh cable

management channel with Decorative Aluminium extruded snap locking front cover panel.

The Decorative Aluminium extruded front panel of vertical cable manager is splitted in to 2 parts, up and down parts for higher than 36U sizes, so; Possible to open the needed front panel only while maintenance, replacement, definition or labeling of the needed cable. 32U and less heights has one single piece front cover plate on the cable manager.

*** Please see door options in page 40

Standard Colors:



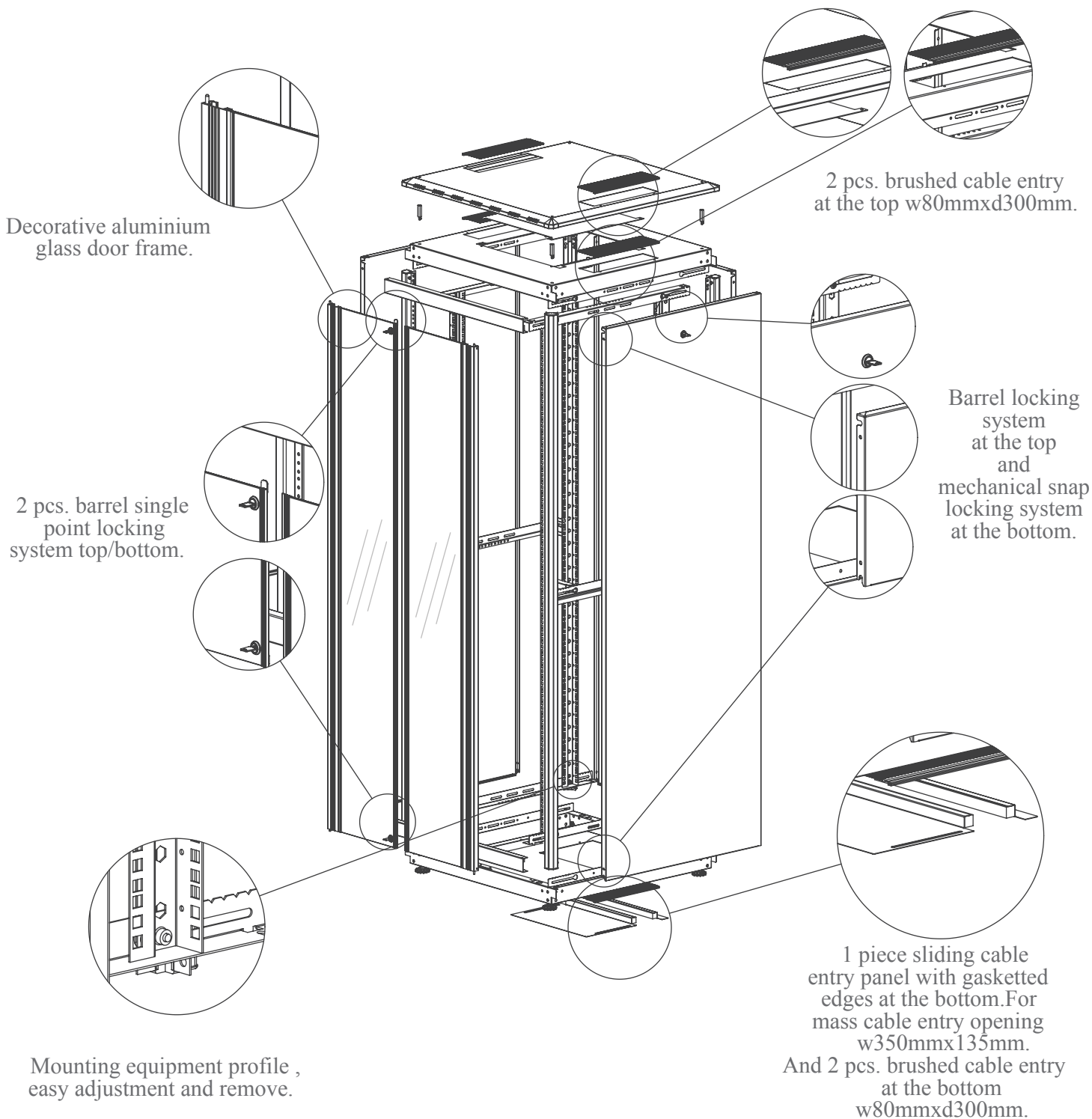
RAL 9005 Black

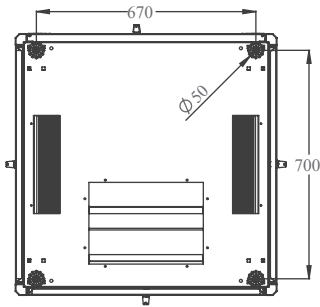


RAL 7035 Light Grey

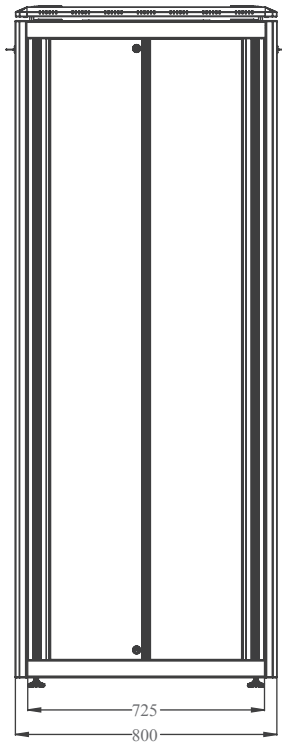


DETAILS ON
EXPLODED VIEW

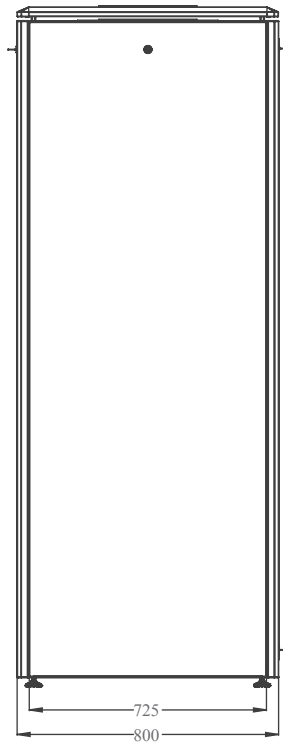




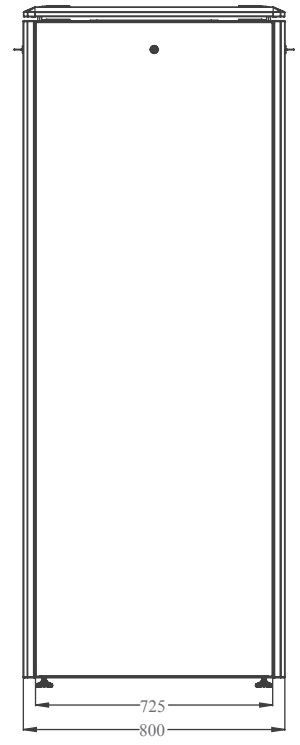
BOTTOM VIEW



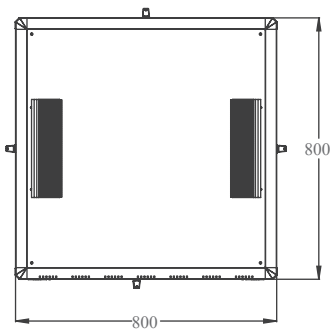
FRONT VIEW



SIDE VIEW



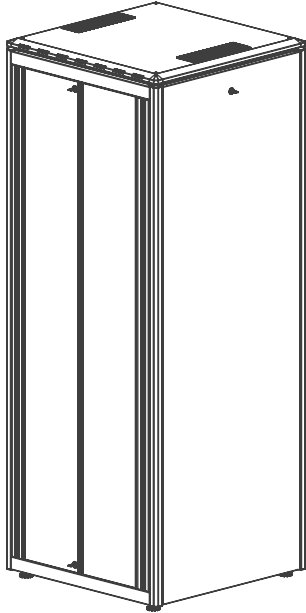
REAR VIEW



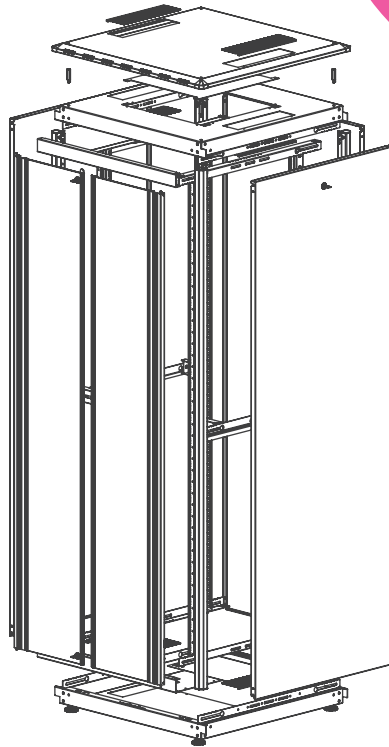
TOP VIEW

CONSTRUCTION
DRAWING

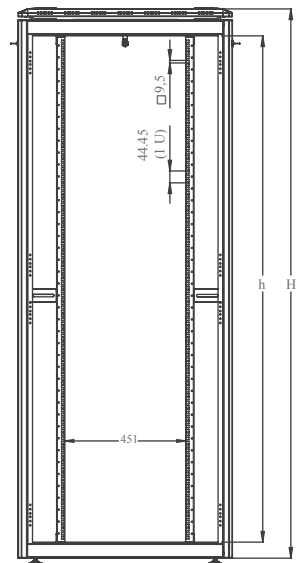
CONSTRUCTION
DRAWING



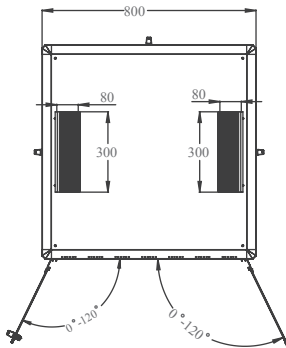
ISOMETRIC VIEW



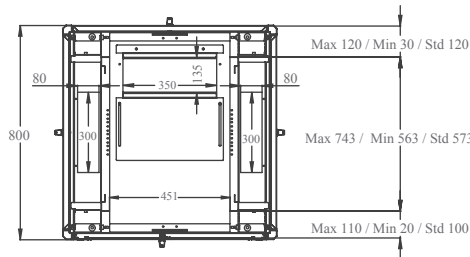
EXPLODED VIEW



DIMENSIONS
IN
WIDTH AND HEIGHT



FRONT DOOR
OPENING ANGLE



MAX/STD/MIN
EQUIPMENT MOUNTING DISTANCE

DYNAMIC Series Free Standing 19" Cabinets W=800mm D=800mm

ROOT Product Number ***	Product Description	Size W X D X H mm	h size in U	h in mm	* H mm, overall without feet and/or castor	Width Overall mm	Width Rail to Rail mm	Depth Overall mm	**Depth Shipping Conf. Rail to Rail mm	QTY IN PACKAGE	PACKING DIMENSIONS W X D X H mm	Standard NET Weight of product kgs	Gross Weight of Product kgs	QTY IN PALETTE	PALETTE DIMENSIONS W X D X H mm	Palette Weight kgs
LN-FS22U8080-CC-111	22U 19" Free Standing Cabinet W=800mm D=800mm	800x800x1164	22U	978	1164	800	19"	800	570	1	880x880x1305	64,3	77,5	1	880x880x1305	77,5
LN-FS26U8080-CC-111	26U 19" Free Standing Cabinet W=800mm D=800mm	800x800x1342	26U	1155	1342	800	19"	800	570	1	880x880x1482	70	83,8	1	880x880x1482	83,8
LN-FS32U8080-CC-111	32U 19" Free Standing Cabinet W=800mm D=800mm	800x800x1609	32U	1422	1609	800	19"	800	570	1	880x880x1749	80,4	84,9	1	880x880x1749	84,9
LN-FS36U8080-CC-111	36U 19" Free Standing Cabinet W=800mm D=800mm	800x800x1787	36U	1600	1787	800	19"	800	570	1	880x880x1927	87	102,2	1	880x880x1927	102,2
LN-FS39U8080-CC-111	39U 19" Free Standing Cabinet W=800mm D=800mm	800x800x1923	39U	1733	1923	800	19"	800	570	1	880x880x2063	91	106,5	1	880x880x2063	106,5
LN-FS42U8080-CC-111	42U 19" Free Standing Cabinet W=800mm D=800mm	800x800x2053	42U	1867	2053	800	19"	800	570	1	880x880x2193	95,5	111,3	1	880x880x2193	111,3
LN-FS45U8080-CC-111	45U 19" Free Standing Cabinet W=800mm D=800mm	800x800x2187	45U	2000	2187	800	19"	800	570	1	880x880x2327	100	116,6	1	880x880x2327	116,6

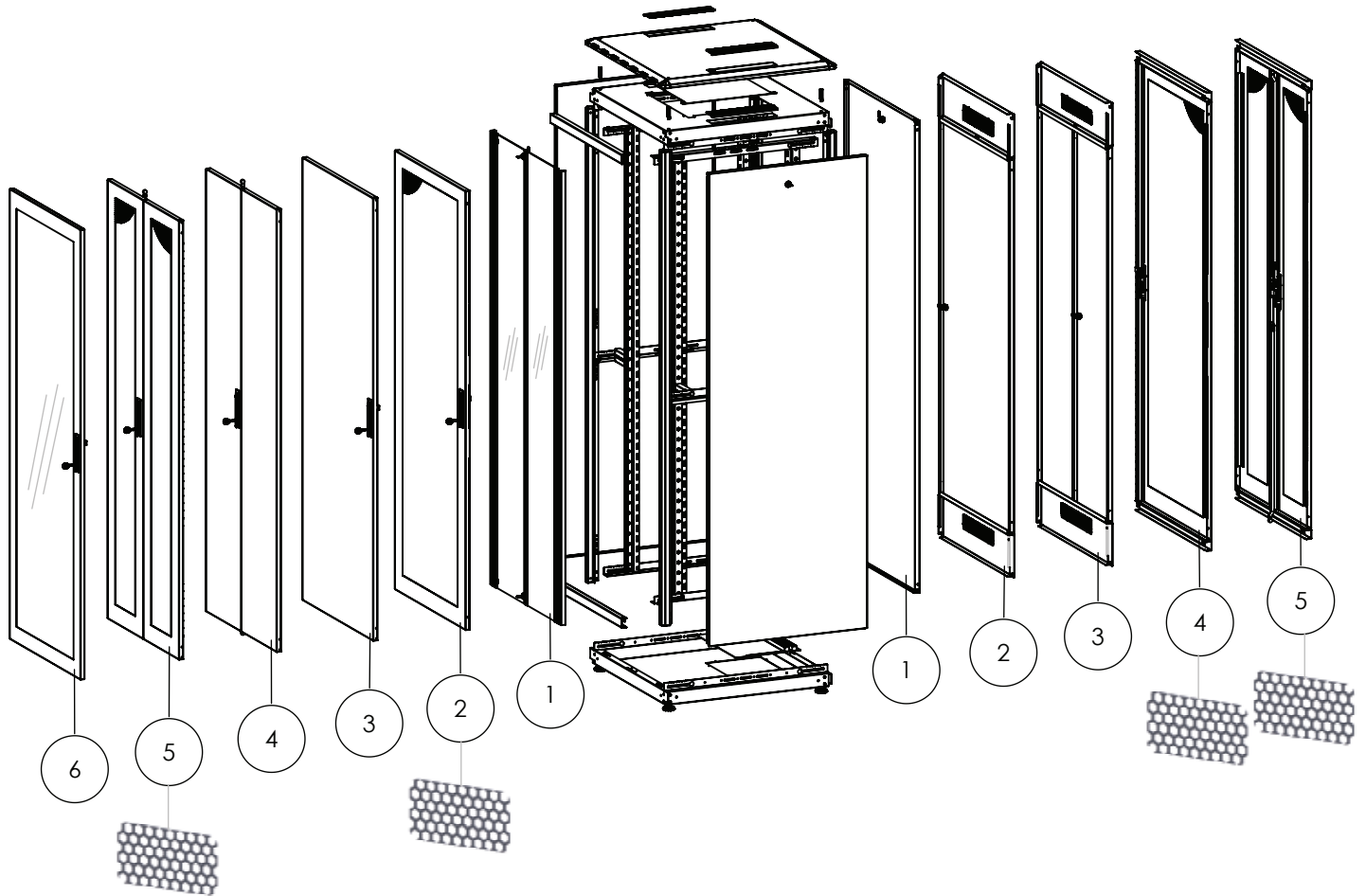
* Please add 30mm to H mm once used with Leveling Feet, add 80mm to H mm once used with castor set.

** See min and max Adjustable depth variations on drawings.

***CC= LG for Light Grey RAL 7035 & BL for Black RAL 9005 for customers to define while ordering, for "111" selection please see the door options.



DOOR
OPTIONS



DYNAMIC Free Standing Cabinet W=800mm D=800mm
All Heights FRONT DOOR Options

- 0 Without front Door
- 1 Double Opening, Flat Shape, Side Framed Glass Front Door, Single Point Barrel Locking TOP/BOTTOM
- 2 Single Opening, Flat Shape, Complete Framed %63 perforated, Solid Metal Front Door, Single Point Handled Locking
- 3 Single Opening, Flat Shape, Complete Solid Metal Front Door, Single Point Handled Locking
- 4 Double Opening, Flat Shape, Complete Solid Metal Front Door, 3 Point Handled Locking
- 5 Double Opening, Flat Shape, Complete Framed %63 perforated, Solid Metal Front Door, 3 Point Handled Locking
- 6 Single Opening, Flat Shape, Complete Framed Glass Front Door, Single Point Handled Locking

DYNAMIC Free Standing Cabinet W=800mm D=800mm
All Heights REAR DOOR Options

- 0 Without Rear Door
- 1 Solid Metal Panel, Snap locking and Barrel Lock, Single Point Locking
- 2 Single Opening, Flat Shaped, Solid Metal Rear Door, Single Point Barrel Locking, Hinged, Top/bottom Cable entry, and Top/Bottom Metal Bracket Set
- 3 Double Opening, Flat Shaped, Solid Metal Rear Door, Single Point Barrel Locking, Hinged, Top/bottom Cable entry, and Top/Bottom Metal Bracket Set
- 4 Single Opening, Flat Shape, Complete Framed %63 perforated, Solid Metal Rear Door, Single Point Handled Locking, Top/Bottom Metal Bracket Set
- 5 Double Opening, Flat Shape, Complete Framed %63 perforated, Solid Metal Rear Door, 3 Point Handled Locking, Top/Bottom Metal Bracket Set

DYNAMIC Free Standing Cabinet W=800mm D=800mm
All Heights SIDE PANEL Options

- 0 No Side Panel On product
- 1 Two Side Panels, left / right included in shipping configuration
- 2 One Side Panel Only on Left Side
- 3 One Side Panel Only on Right Side

LN-AA

XXU

WW

DD

CC

LN Corporate codification beginning letters mentioning Lande in Short Format as LN

AA Family Group of Enclosure; FS for Free Standing cabinets, WM for Wall Mounting Cabinets, SH for Small office Home office Range, SR for Server enclosure Range, SL for Slim series, RS for Home series wall cabinets

XX Numeric Character defining the height of enclosures, depending on model differences between 12 to 45 to be selected from price list, website or catalogue

U U Height Alfanumeric Notation, concrete (non editable- fixed character)

WW The First 2 digits of the width info, 60 for W=600mm, 80 for W=800mm, 54 for W=540mm, 30 for W=300mm Soho 10" enclosure

DD The First 2 digits of the depth info, 45 for D=450mm, 40 for D=400mm, 60 for D=600mm, 80 for D=800mm, 10 for D=1000mm cabinets

CC Color Code, LG for Light Grey RAL 7035, BL for Black RAL 9005

000

0 Front Door Variation number, numeric character 1 to 9 / 0 means no front door, standard front door defined in Lande System as option 1., Please select other variations if needed from above door selection drawing. Unless defined option 1 should be delivered

0 Rear Door Variation number, numeric character 1 to 9 / 0 means no rear door, standard rear door defined in Lande System as option 1., Please select other variations if needed from above door selection drawing. Unless defined option 1 should be delivered

0 Side Panel/Door Variation number, numeric character 1 to 9 / 0 means no side panel on product, standard side panel/door defined in Lande System as option 1. Unless defined option 1 should be delivered





Power, Gives You Confidence

Better? We have not made it yet...

Η ΜΕΝ ΕΜΠΕΙΡΙΑ
ΤΕΧΝΗΝ ΕΠΟΙΗΣΕΝ,
Η Δ' ΑΠΕΙΡΙΑ ΤΥΧΗΝ

ΑΡΙΣΤΟΤΕΛΗΣ

Experience Created
The Art, But
Inexperience
Created The Luck

Aristoteles



Width=800mm
Depth=1000mm

Standard Heights:

2 different U heights:

42U, 45U

Standards, and Compliances:

**ISO 9001:2008**

Quality Management System

EN 61587 -1:2012
Mechanical Structures for
Electronic EquipmentIEC 297-1, 19" mounting
IEC 297-2 Overall cabinet dimensions**CE conform to**

EN 60950-1:2006

Information Technology
Equipment – Safety – Part-1-
General Requirements**Environment Friendly;***Environmental awareness
*RoHS compliancy
*% 100 Recyclable
Material**Load Capacity: 600 kgs.**

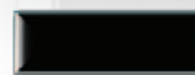
DYNAMIC series Networking Enclosures, with 19" w:800mm and d:1000mm physical sizes, with max internal usable depth, and 2 different heights.

All W=800mm model cabinets are constructionally proper for the Vertical Cable Management systems. The Lande 800 wide segment designed with highly efficient and customer friendly vertical wire mesh cable

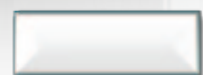
management channel with Decorative Aluminium extruded snap locking front cover panel.

The Decorative Aluminium extruded front panel of vertical cable manager is splitted in to 2 parts, up and down parts for higher than 36U sizes, so; Possible to open the needed front panel only while maintenance, replacement, definition or labeling of the needed cable. 32U and less heights has one single piece front cover plate on the cable manager.

*** Please see door options in page 46

Standard Colors:

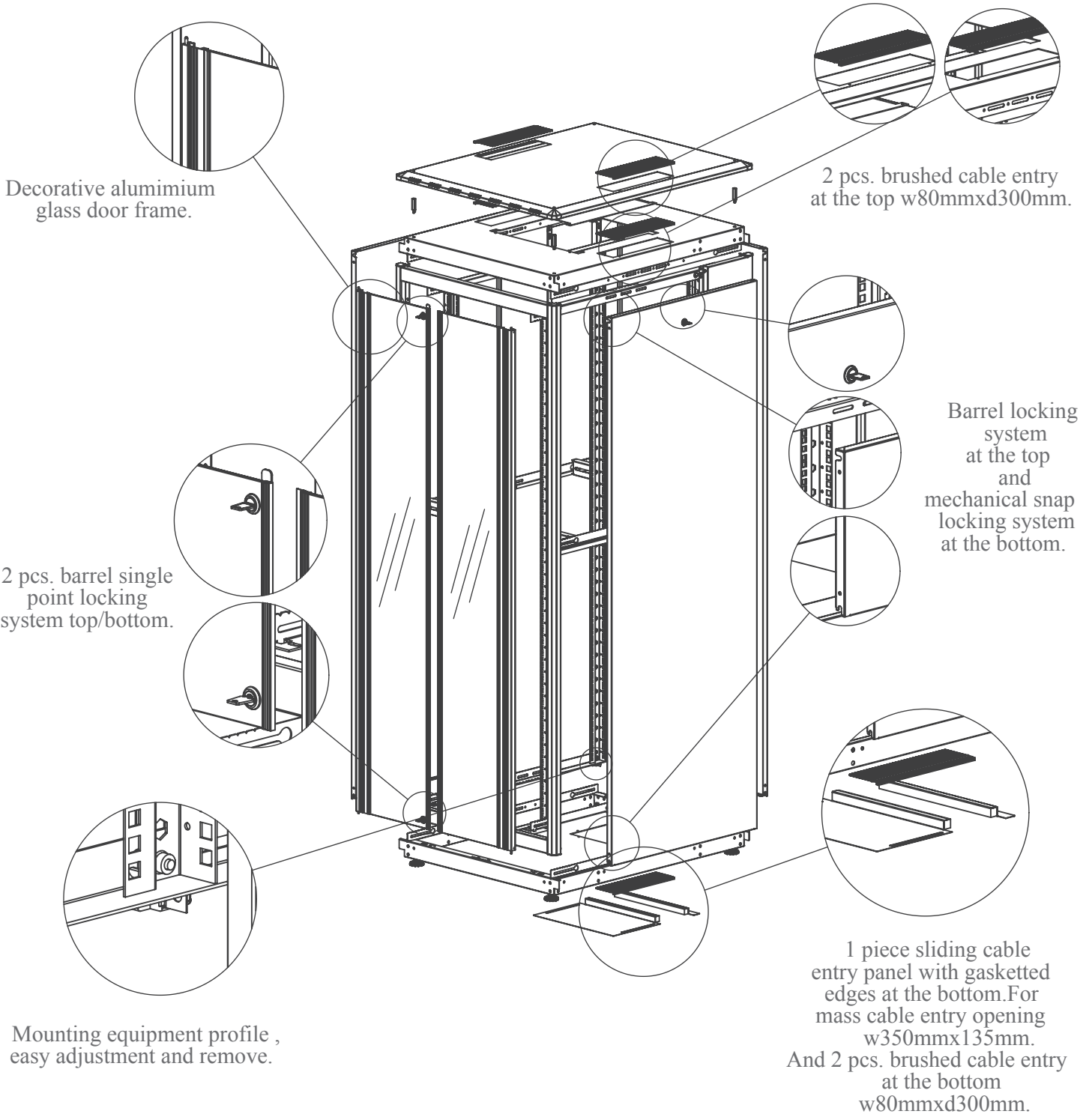
RAL 9005 Black

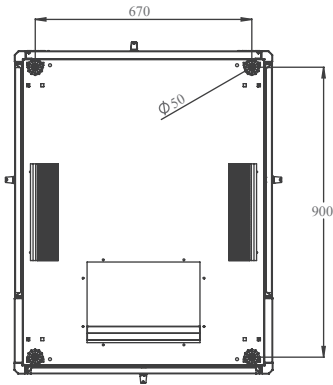


RAL 7035 Light Grey

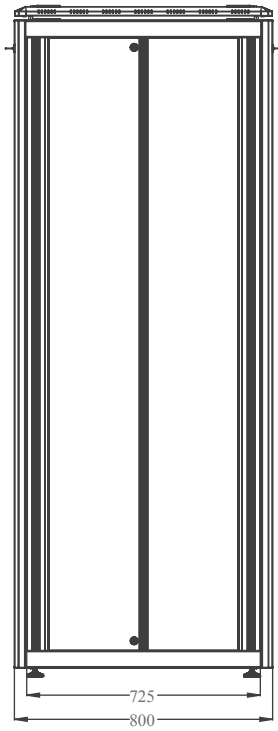


DETAILS ON
EXPLODED VIEW

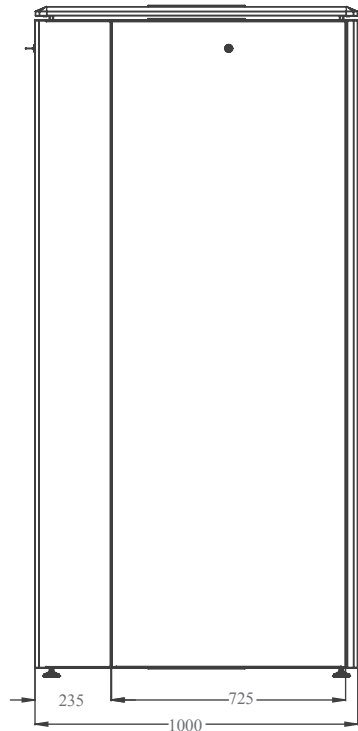




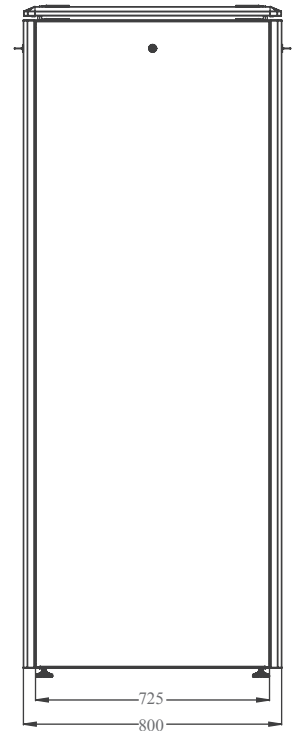
BOTTOM VIEW



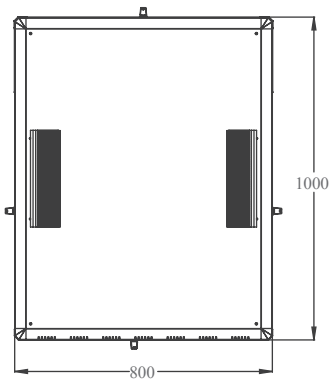
FRONT VIEW



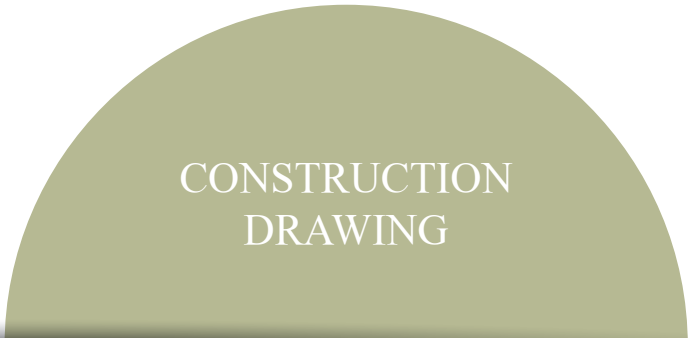
SIDE VIEW



REAR VIEW

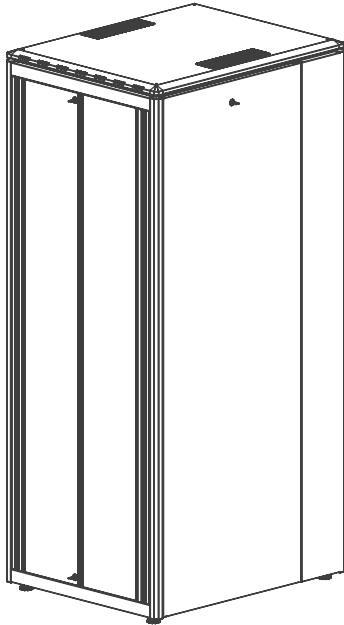


TOP VIEW

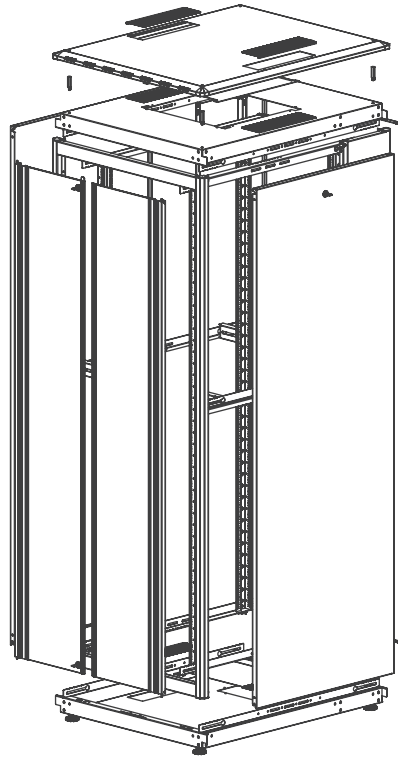


CONSTRUCTION
DRAWING

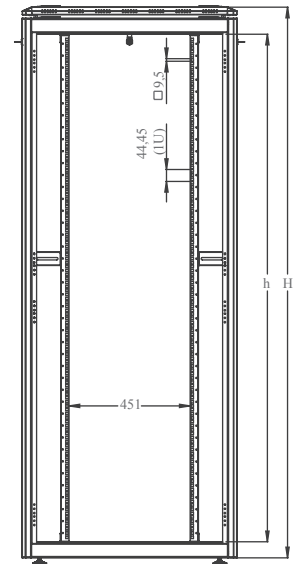
CONSTRUCTION
DRAWING



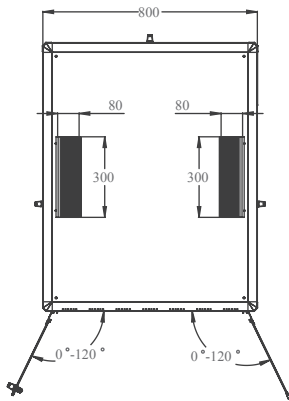
ISOMETRIC VIEW



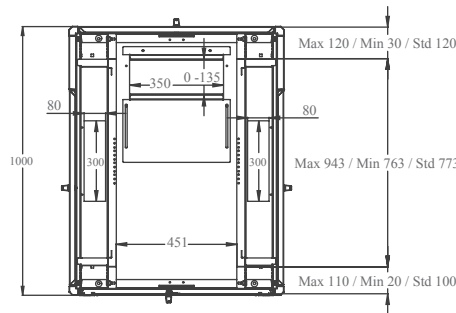
EXPLODED VIEW



DIMENSIONS
IN
WIDTH AND HEIGHT



FRONT DOOR
OPENING ANGLE



MAX/STD/MIN
EQUIPMENT MOUNTING DISTANCE

DYNAMIC Series Free Standing 19" Cabinets W=800mm D=1000mm

ROOT Product Number ***	Product Description	Size WxDxH mm	h size in U	h in mm	*H mm, overall without feet and/or castor	Width Overall mm	Width Rail to Rail mm	Depth Overall mm	** Depth Shipping Conf. Rail to Rail mm	QTY IN PACKAGE	PACKING DIMENSIONS WxDxH mm	Standard NET Weight of product kgs	Gross Weight of Product kgs	QTY IN PALETTE	PALETTE DIMENSIONS WxDxH mm	Palette Weight kgs
LN-FS42U8010-CC-111	42U 19" Free Standing Cabinet W=800mm D=1000mm	800x1000x2053	42U	1867	2053	800	19"	800	770	1	880x1080x2193	118	136,7	1	880x1080x2193	136,7
LN-FS45U8010-CC-111	45U 19" Free Standing Cabinet W=800mm D=1000mm	800x1000x2187	45U	2000	2187	800	19"	800	770	1	880x1080x2194	123,5	142,7	1	880x1080x2194	142,7

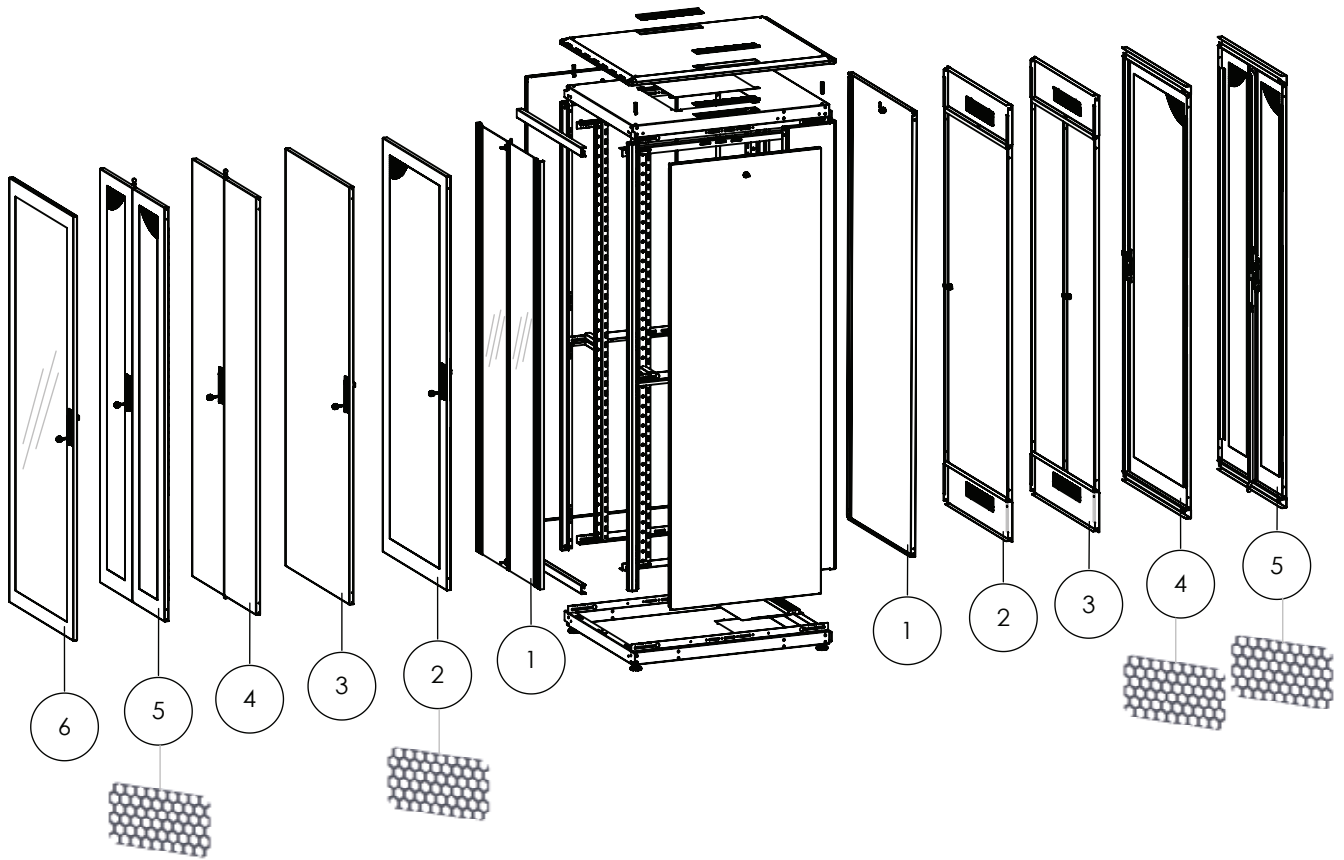
* Please add 30mm to H mm once used with Leveling Feet, add 80mm to H mm once used with castor set.

** See min and max Adjustable depth variations on drawings.

***CC= LG for Light Grey RAL 7035 & BL for Black RAL 9005 for customers to define while ordering, for "111" selection please see the door options.



DOOR
OPTIONS



DYNAMIC Free Standing Cabinet W=800mm D=1000mm
All Heights FRONT DOOR Options

- 0 Without front Door
- 1 Double Opening, Flat Shape, Side Framed Glass Front Door, Single Point Barrel Locking TOP/BOTTOM
- 2 Single Opening, Flat Shape, Complete Framed %63 perforated, Solid Metal Front Door, Single Point Handled Locking
- 3 Single Opening, Flat Shape, Complete Solid Metal Front Door, Single Point Handled Locking
- 4 Double Opening, Flat Shape, Complete Solid Metal Front Door, 3 Point Handled Locking
- 5 Double Opening, Flat Shape, Complete Framed %63 perforated, Solid Metal Front Door, 3 Point Handled Locking
- 6 Single Opening, Flat Shape, Complete Framed Glass Front Door, Single Point Handled Locking

DYNAMIC Free Standing Cabinet W=800mm D=1000mm
All Heights REAR DOOR Options

- 0 Without Rear Door
- 1 Solid Metal Panel, Snap locking and Barrel Lock, Single Point Locking
- 2 Single Opening, Flat Shaped, Solid Metal Rear Door, Single Point Barrel Locking, Hinged, Top/bottom Cable entry, and Top/Bottom Metal Bracket Set
- 3 Double Opening, Flat Shaped, Solid Metal Rear Door, Single Point Barrel Locking, Hinged, Top/bottom Cable entry, and Top/Bottom Metal Bracket Set
- 4 Single Opening, Flat Shape, Complete Framed %63 perforated, Solid Metal Rear Door, Single Point Handled Locking, Top/Bottom Metal Bracket Set
- 5 Double Opening, Flat Shape, Complete Framed %63 perforated, Solid Metal Rear Door, 3 Point Handled Locking, Top/Bottom Metal Bracket Set

DYNAMIC Free Standing Cabinet W=800mm D=1000mm
All Heights SIDE PANEL Options

- 0 No Side Panel On product
- 1 Two Side Panels, left / right included in shipping configuration
- 2 One Side Panel Only on Left Side
- 3 One Side Panel Only on Right Side

LN-AA

XXU

WW

DD

CC

LN Corporate codification beginning letters mentioning Lande in Short Format as LN

AA Family Group of Enclosure; FS for Free Standing cabinets, WM for Wall Mounting Cabinets, SH for Small office Home office Range, SR for Server enclosure Range, SL for Slim series, RS for Home series wall cabinets

XX Numeric Character defining the height of enclosures, depending on model differences between 12 to 45 to be selected from price list, website or catalogue

U U Height Alfanumeric Notation, concrete (non editable- fixed character)

WW The First 2 digits of the width info, 60 for W=600mm, 80 for W=800mm, 54 for W=540mm, 30 for W=300mm Soho 10" enclosure

DD The First 2 digits of the depth info, 45 for D=450mm, 40 for D=400mm, 60 for D=600mm, 80 for D=800mm, 10 for D=1000mm cabinets

CC Color Code, LG for Light Grey RAL 7035, BL for Black RAL 9005

000

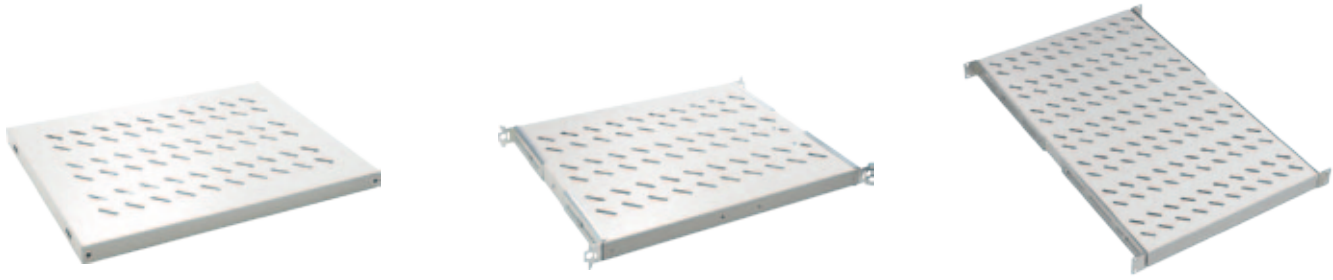
0 Front Door Variation number, numeric character 1 to 9 / 0 means no front door, standard front door defined in Lande System as option 1., Please select other variations if needed from above door selection drawing. Unless defined option 1 should be delivered

0 Rear Door Variation number, numeric character 1 to 9 / 0 means no rear door, standard rear door defined in Lande System as option 1., Please select other variations if needed from above door selection drawing. Unless defined option 1 should be delivered

0 Side Panel/Door Variation number, numeric character 1 to 9 / 0 means no side panel on product, standard side panel/door defined in Lande System as option 1. Unless defined option 1 should be delivered



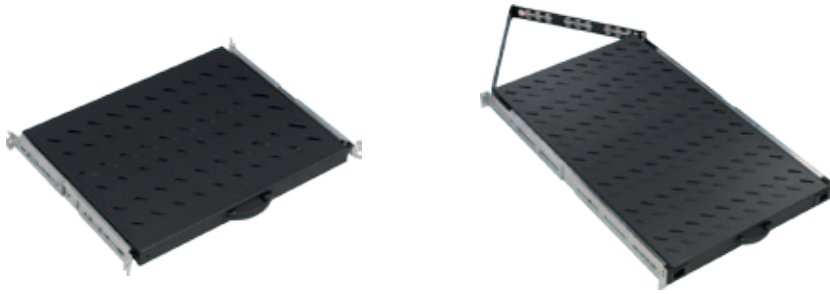
Frequent Used Accessory Selection Chart



Frequent Used Accessories DYNAMIC Series Free Standing Cabinets Sizes w:width mm d:depth mm

	w:600xd:600	w:600xd:800	w:600xd:1000	w:800xd:600	w:800xd:800	w:800xd:1000
Fixed Shelves compatible with only Lande cabinet	LN-RAF-SBT-D600-CC	LN-RAF-SBT-D800-CC	LN-RAF-SBT-D100-CC	LN-RAF-SBT-D600-CC	LN-RAF-SBT-D800-CC	LN-RAF-SBT-D100-CC
Fixed Shelves Universal Mutivendor	LN-RAF-SBT-D600-CC-UNV	LN-RAF-SBT-D800-CC-UNV	LN-RAF-SBT-D100-CC-UNV	LN-RAF-SBT-D600-CC-UNV	LN-RAF-SBT-D800-CC-UNV	LN-RAF-SBT-D100-CC-UNV
Heavy Duty Fixed Shelves	-	-	LN-RAF-SBA-D100-CC	-	-	LN-RAF-SBA-D100-CC

**CC is color code: please insert BL for Black and LG for Light Grey on the part numbers while creating order



Frequent Used Accessories DYNAMIC Series Free Standing Cabinets Sizes w:width mm d:depth mm

	w:600xd:600	w:600xd:800	w:600xd:1000	w:800xd:600	w:800xd:800	w:800xd:1000
Sliding Shelves	LN-RAF-HRK-D600-CC	LN-RAF-HRK-D800-CC	-	LN-RAF-HRK-D600-CC	LN-RAF-HRK-D800-CC	-
Heavy Duty Sliding Shelves	-	-	LN-RAF-HRA-D100-CC	-	-	LN-RAF-HRA-D100-CC

**CC is color code: please insert BL for Black and LG for Light Grey on the part numbers while creating order



Frequent Used Accessories DYNAMIC Series Free Standing Cabinets Sizes w:width mm d:depth mm

	w:600xd:600	w:600xd:800	w:600xd:1000	w:800xd:600	w:800xd:800	w:800xd:1000
2 fan Units on/off switched	LN-FAN-ONF-2FFS-CC	LN-FAN-ONF-2FFS-CC	LN-FAN-ONF-2FFS-CC	LN-FAN-ONF-2FFS-CC	LN-FAN-ONF-2FFS-CC	LN-FAN-ONF-2FFS-CC
2 fan Units with Thermostatic control Unit	LN-FAN-THM-2FFS-CC	LN-FAN-THM-2FFS-CC	LN-FAN-THM-2FFS-CC	LN-FAN-THM-2FFS-CC	LN-FAN-THM-2FFS-CC	LN-FAN-THM-2FFS-CC
4 fan Units on/off switched	LN-FAN-ONF-4FFS-CC	LN-FAN-ONF-4FFS-CC	LN-FAN-ONF-4FFS-CC	LN-FAN-ONF-4FFS-CC	LN-FAN-ONF-4FFS-CC	LN-FAN-ONF-4FFS-CC
4 fan Units with Thermostatic control Unit	LN-FAN-THM-4FFS-CC	LN-FAN-THM-4FFS-CC	LN-FAN-THM-4FFS-CC	LN-FAN-THM-4FFS-CC	LN-FAN-THM-4FFS-CC	LN-FAN-THM-4FFS-CC
Horizontal Cable Management Panel 19" 1U 5 rings	LN-KDG-YKD-1UKN-CC	LN-KDG-YKD-1UKN-CC	LN-KDG-YKD-1UKN-CC	LN-KDG-YKD-1UKN-CC	LN-KDG-YKD-1UKN-CC	LN-KDG-YKD-1UKN-CC

**CC is color code: please insert BL for Black and LG for Light Grey on the part numbers while creating order

Frequent Used Accessory Selection Chart



Frequent Used Accessories DYNAMIC Series Free Standing Cabinets Sizes w:width mm d:depth mm

	w:600xd:600	w:600xd:800	w:600xd:1000	w:800xd:600	w:800xd:800	w:800xd:1000
Vertical Cable Manager	-	-	-	LN-KDG-ORG-xxUD-CC	LN-KDG-ORG-xxUD-CC	LN-KDG-ORG-xxUD-CC

** CC= Color Code, LG Light Grey RAL 7035, BL Black RAL 9005, customers to define while ordering. This mark defines the color of cabinets, accordingly for Light Grey cabinet RAL 7016 Anthracite Grey Panel on vertical cable manager, and for Black Cabinet RAL 9005 Black Panel on vertical cable manager will be delivered.

***XX is the U height of Vertical cable manager, according to selected height of cabinet, please define U height while creating order.



Frequent Used Accessories DYNAMIC Series Free Standing Cabinets Sizes w:width mm d:depth mm

	w:600xd:600	w:600xd:800	w:600xd:1000	w:800xd:600	w:800xd:800	w:800xd:1000
Caster Group 2 w/breakes 2 wo/breakes	LN-ZMN-TKR-5525-XX	LN-ZMN-TKR-5525-XX	LN-ZMN-TKR-5525-XX	LN-ZMN-TKR-5525-XX	LN-ZMN-TKR-5525-XX	LN-ZMN-TKR-5525-XX



Frequent Used Accessories DYNAMIC Series Free Standing Cabinets Sizes w:width mm d:depth mm

	w:600xd:600	w:600xd:800	w:600xd:1000	w:800xd:600	w:800xd:800	w:800xd:1000
PDU 6 way Schuko with 1x16A cct breaker	LN-PRZ-SGT-1U6P-SC	LN-PRZ-SGT-1U6P-SC	LN-PRZ-SGT-1U6P-SC	LN-PRZ-SGT-1U6P-SC	LN-PRZ-SGT-1U6P-SC	LN-PRZ-SGT-1U6P-SC



Frequent Used Accessories DYNAMIC Series Free Standing Cabinets Sizes w:width mm d:depth mm

	w:600xd:600	w:600xd:800	w:600xd:1000	w:800xd:600	w:800xd:800	w:800xd:1000
Mounting Hardware, Fixing M6 Cage nut set of 20	LN-DGR-KFS-M620-XX	LN-DGR-KFS-M620-XX	LN-DGR-KFS-M620-XX	LN-DGR-KFS-M620-XX	LN-DGR-KFS-M620-XX	LN-DGR-KFS-M620-XX



经验是对痛苦的报偿

The reward of
suffering is
experience.

Chinese Proverb

NETbox Wall Mounting CABINETS



W=600mm NETbox Series Wall Mounting Cabinets

NETbox series Networking Enclosures/Cabinets, provide maximum optimization resulted to an optimum performance in between quality and added value.

While product gives maximum performance on cabling and networking infrastructure, in parallel provides a very respective economy compared to its quality which is based on high technologic fully automated industry.

The 600x450, 600x600 and D:150mm Rear Section Modules possible to integrate to d:450mm preferably and either to d:600mm. NETbox Wall Cabinet series is available in 5 heights from 7U through to 20U, Each cabinet is supplied as standard with a glass front door, mechanically screwed steel rear panel and lift off steel side panels, all of which are lockable.

The wide product height portfolio meets any U requirement in infrastructure needs.

NETbox series have a professional technical

but aesthetic look with decorative Aluminium Extruded Housing on the front door; the product range attracts the attention with the mostly environmentally fit and selected color of RAL 9005 Black, and RAL 7035 Light Grey, with fine wrinkle soft touch paint. Anthracite Grey Decorative ABS (Acrylonitrile Butadiene Styrene) material header Unit with art design on PVC provides an aesthetic visuality.

The product range allows with 150mm extension module integration where 4 way access is the question for wall applications.

Completely standard and stocked product portfolio, being delivered a single piece assembled product, as shipping configuration the one set: 2pieces 19" adjustable equipment mounting rails included.

NETbox Series product range with optimal panel mounting size, and a variety range of accessories enclose the whole expectation of users.



CONSTRUCTION DETAILS:

Main Profile- Framework- Top/Bottom Cases, ABS Fan Housing:

Multi Folded Automated Bending technology applied corner profile system, provides a heavy duty structure results to high load capacity of: 80 kgs on wall.

Monoblock multi folded top and bottom cases 20 times bended resulted to a very heavy construction, tightly fixed to the framework with fixing hardware , fully modular system generated.

Top case has a ready Forced Ventilation (Fan Module) integration ABS housing. Fan Module installation can be operated either from roof or from internal side of cabinet.

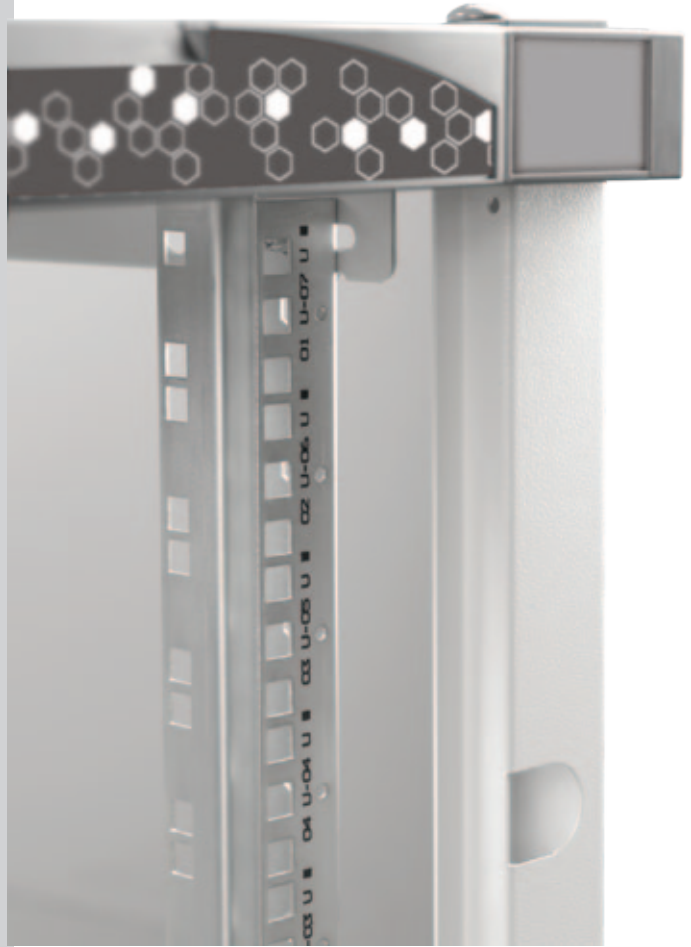
The advantage of this system is, once the Fan Unit needs maintenance or replacement and while the cabinet is carrying integrated active and passive networking devices, than subject to remove some of them to replace the Fan Module Unit. Lande Cabinet Fan Module Unit access is from roof where no interference with the already installed components inside cabinets. Decorative Anthracite Grey ABS Fan Module integration housing replacement is toolless. Where the Fan Module to be inserted to the ABS Fan Module Housing without any tool.

Top case integrated with a cable entry point with rubber edged sliding mechanism with w:145mmx d:70mm allows proper cabling insertion. The rubber edged mechanism works between 0 to 50mm slide out.

After inserting the cables, the rubber edged mechanism holds and fixes the cables in parallel preventing the cabinet from dust entry.

Top Case, has ventilation slots at sides which provides passive air ventilation via convection. Once the cabinet is not equipped with forced ventilation (Fan Units), this ABS Fan Housing also provides passive ventilation via convection.

Top Case and Main Frame junctions are closed with Anthracite Grey PVC application for aesthetical appearance.



CONSTRUCTION DETAILS:

Access to enclosure:

Front door is integrated with decorative 2,5mm thickness aluminium extruded frames, full length smoked, shatterproof, antistatic, 4,0mm thickness glass with single point locking barrel lock.

Front door Aluminium extruded frame allows, decorative PVC Stripes charming the attraction, Anthracite Grey for RAL 7035 Light Grey Cabinets and Light Grey for RAL 9005 Black cabinets

Front door opening direction is set right to left, but reversible to left to right at site with removing the hinge system. Hinge System is spring loaded easy operating version, which allows you to remove the whole front door from cabinet in seconds.

Alternative doors (Curved Glass and Solid Metal) are available for customer selection. Please see page 59, 63.

Side Panels are lockable and removable with barrel style lock, Multifolded bending technology with 8 fold bending provides the rigidity. Easy mechanical locking of panel to main frame with snap capture system allows easy attachment of panels and easy removal in seconds while installation in process.

Rear Panels are mechanically screwed to main module, which is Multifolded bending technology with 5 fold bending provided the rigidity.

Rear Panel can be used for wall fixing and drilling pattern.

Bottom case and Rear Panel integrated with PVC gland plate. Once needed gland plate and rubber edged sliding mechanism could be replaced on site

19" rails of Lande NETbox Series Wall cabinet are with automated silk-screen U numbering, depends on size 1U to 20U, same from top to bottom or bottom to top results to same U height selection. No matter where you have started counting from. 19" rails are 4 fold bending surfaces, 1,5mm thickness provides the high load capacities. The 19" rails are made of steel with 8-12 micron zinc plating for corrosion resistance. 19" rails are adjustable in depth. For easy adjustment purpose, no need to detach the screws, just ease the screws and slide them in the channels on the top/bottom chassis bends.

All design features provide 3 way access to your enclosure and equipments, easy to reach to enclosure and equipments for all infrastructure installations and maintenance needs.



19" NETbox Wall Mounting Cabinets F A M I L Y

ADDITIONAL FEATURES:

NETbox Wall cabinets has an ABS Decorative header unit, where has a placement for the Digital Thermometer with 1 meter cable probe, integrated with 2 lithium battery with 2 year life, measurement once for every minute as accessory to be ordered.

NETbox Wall cabinets has sticky colour changing thermometer, range 20 to 40 C; as an accessory.

NETbox Wall Cabinets has a decorative ABS header unit. For volume orders or projects, please coordinate with sales department to select any other color application than Anthracite Grey standard offer by Lande.

Your company corporate colors are applicable!

NETbox Wall Cabinets have mechanically screwed rear panel. The panel can be used as wall fixing pattern on wall. This feature provides cost efficiency at site applications where a heavy enclosure to be fixed to wall. At least 2 technicians needed in standard. Lande NETbox cabinets are applicable with one technician at site only.

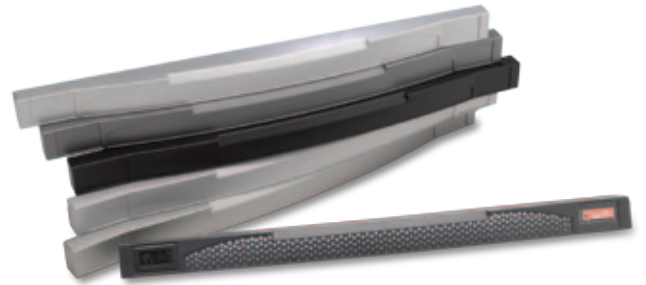
First the rear panel to be placed on wall for marking purposes, than drilling to be operated, finally the rear panel to be fixed on wall without the main cabinet unit.

Finally the cabinet to be hanged over the rear panel. For safety reasons the screwing must be completed. Without screws even cabinet safely should stay on wall.

NETbox wall cabinets offers one more advantage for site application, the internal active and passive components can be assembled to cabinet on the workshop. Afterwards wall fixation can be the process follows. Only the connection of the cables and power to be operated. This would be a big advantage for technicians while the Wall cabinet to be assembled to very high placements and locations especially in factory or warehouse conditions, where distribution infrastructure in cabinet to be completed at 4 to 8 meter high

Rear Panels are mechanically screwed to main module, which is Multifolded bending technology with 5 fold bending provided the rigidity.

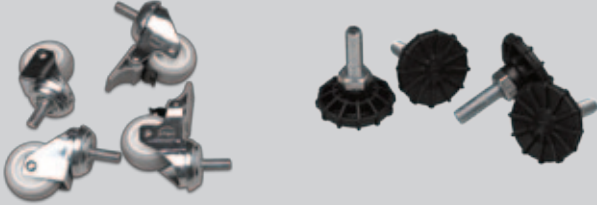
Rear Panel can be used for wall fixing and drilling pattern.



19" NETbox Wall Mounting Cabinets F A M I L Y

ADDITIONAL FEATURES:

All Lande NETbox Wall Cabinets are proper to integrate with caster group or Adjustable leveling feet group. This feature provides a possibility of using wall cabinets as for free standing purposes, especially where the narrow places are the case. As well integration with caster group or PVC adjustable leveling feet group provides a possibility to use the cabinet for underdesk applications.



Please see detailed description in accessory section.

Part numbers to order:

*** LN-ZMN-TKR-5020-XX for Caster Group Set

LN-ZMN-PNY-1040-XX for PVC Leveling Feet Group Set

Once using the Lande NETbox wall cabinets for Free standing purposes, and access from rear of the enclosure is mandatory request of integration, than please find the hinged rear door option instead of screwed panel option at page 59, 63.

Lande NETbox wall cabinets are being delivered with 1set: 2pcs 19" Rails.

Once a 4 point fixing shelf or any other 4 point fixing equipment to be installed, an additional set of 19" rails to be ordered. With this application it is possible to locate some deeper networking devices as well some heavy equipments like UPS's etc.

Part numbers to order:

***LN-PRF-CMD-xx UD-ZN

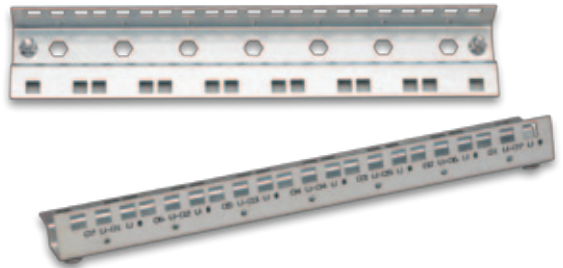
Define xx as the U height of intended NETbox wall cabinet to be used

Example Part Nr: LN-PRF-CMD-07UD-ZN

Please see detailed description in accessory section.

Lande NETbox wall cabinets are in RAL 7035 Light Grey color from stock.

Black RAL 9005 Color application is possible. Please co-ordinate with sales department of Lande for Black request especially for projects and concrete requests of customers.



Width=600mm
Depth=450mm

Standard Heights:

5 different U heights:

07U, 09U, 12U, 16U, 20U

Standards, and Compliances:



ISO 9001:2008

Quality Management System

EN 61587 -1:2012

Mechanical Structures for
Electronic Equipment

IEC 297-1, 19" mounting

IEC 297-2 Overall cabinet dimensions



CE conform to

EN 60950-1:2006

Information Technology
Equipment – Safety – Part-1-
General Requirements



Environment Friendly;

*Environmental awareness

*RoHS compliancy

*% 100 Recyclable
Material

Load Capacity: 80 kgs.



NETbox series Wall Mounting Networking Enclosures, with 19" w:600mm and d:450mm physical sizes, with max internal usable depth, and 5 different height, gives a wide selection chart for users.

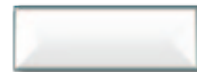
All Lande NETbox Wall cabinets are being delivered as a single piece pre-assembled enclosure, with standard factory settings.

For Decoratively fitting to environment of your living areas, the cabinet has been integrated with highly modern, art fragrant parts and accessories.

For door and panel variations for different purpose of usage,

*** Please see door options in page 59

Standard Color:



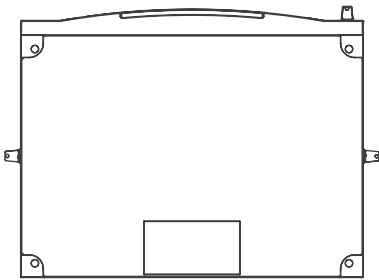
RAL 7035 Light Grey
(Stock Delivery)

Optional Color:

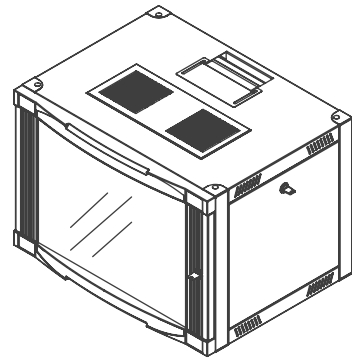


RAL 9005 Black

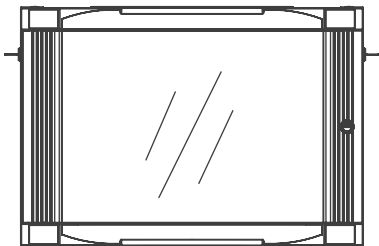
DETAILS ON
EXPLODED VIEW



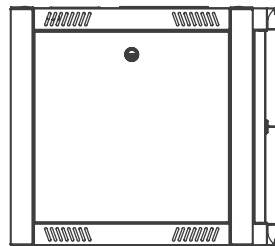
BOTTOM VIEW



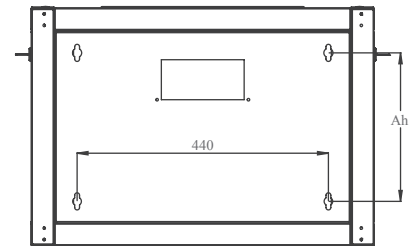
ISOMETRIC VIEW



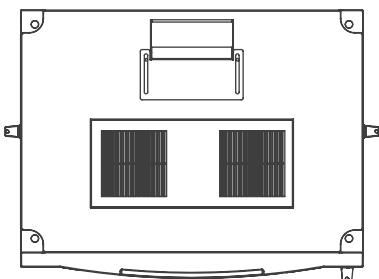
FRONT VIEW



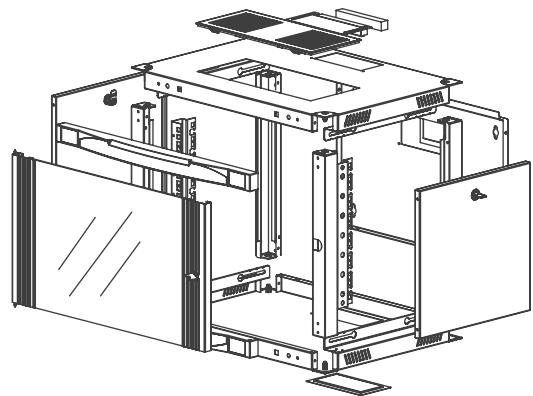
SIDE VIEW



REAR VIEW

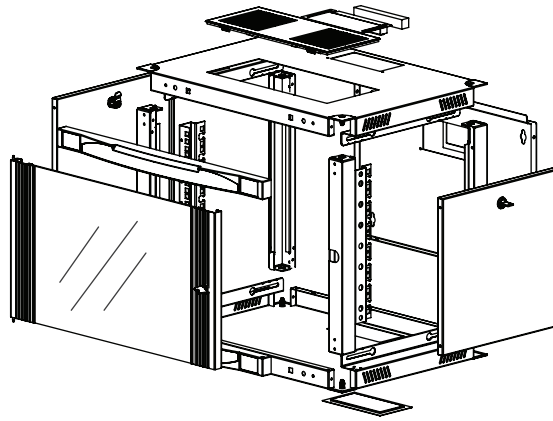


TOP VIEW

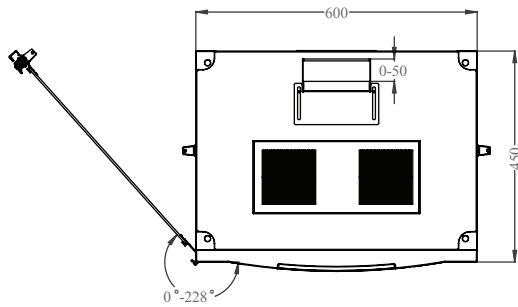


EXPLODED VIEW

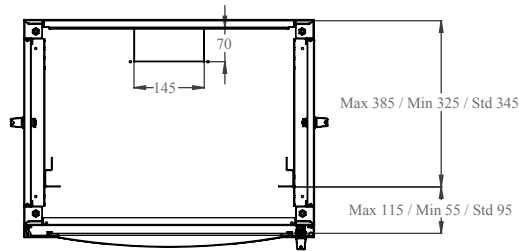
CONSTRUCTION
DRAWING



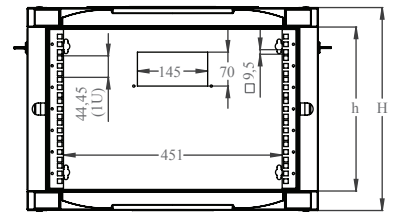
EXPLODED VIEW



FRONT DOOR
OPENING ANGLE



MAX/STD/MIN EQUIPMENT
MOUNTING DISTANCE



DIMENSIONS IN
WIDTH AND HEIGHT

NETbox Series Wall Mounting 19" Cabinets W=600mm D=450mm

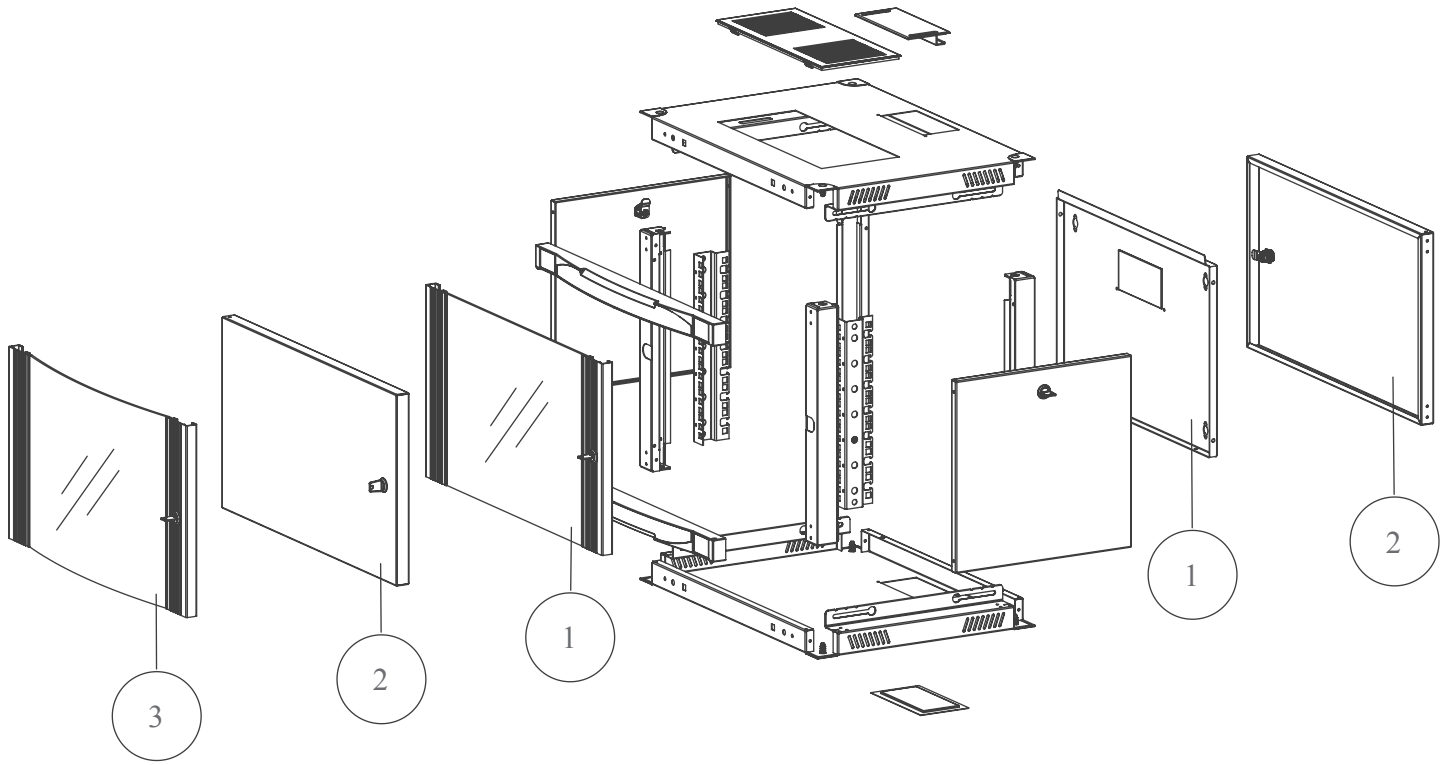
ROOT Product Number ***	Product Description	Size WxDxH mm	h size in U	h in mm	*H mm, overall without feet and/or castor	Width Overall mm	Ah Wall Mounting h mm	Width Rail to Rail mm	Depth Overall mm	**Depth Shipping Conf. Rail to Rear Panel mm	QTY IN PACKAGE	PACKING DIMENSIONS WxDxH mm	Standard NET Weight of product kgs	Gross Weight of Product kgs	QTY IN PALLETTE	PALLETTE DIMENSIONS WxDxH mm	Palette Weight kgs
LN-WM07U6045-LG-111	7U 19" Wall Mounting Cabinet W=600mm D=450mm	600x450x423	7U	311	423	600	260	19"	450	345	1	620x470x450	13	14	20	1100x1300x2400	302
LN-WM09U6045-LG-111	9U 19" Wall Mounting Cabinet W=600mm D=450mm	600x450x512	9U	400	512	600	349	19"	450	345	1	620x470x540	16	17	16	1100x1300x2280	294
LN-WM12U6045-LG-111	12U 19" Wall Mounting Cabinet W=600mm D=450mm	600x450x646	12U	533	646	600	482	19"	450	345	1	620x470x670	21	22	12	1100x1300x2150	286
LN-WM16U6045-LG-111	16U 19" Wall Mounting Cabinet W=600mm D=450mm	600x450x824	16U	711	824	600	660	19"	450	345	1	620x470x850	24	26	10	1100x1300x2450	282
LN-WM20U6045-LG-111	20U 19" Wall Mounting Cabinet W=600mm D=450mm	600x450x1001	20U	889	1001	600	838	19"	450	345	1	620x470x1030	30	32	8	1100x1300x2250	278

* Please add 30mm to H mm once used with leveling feet, add 60mm to H mm once used with castor set.

** See min and max Adjustable depth variations on drawings

***CC= LG for Light Grey RAL 7035 & BL for Black RAL 9005 for customers to define while ordering, for "111" selection please see the door options

DOOR
OPTIONS



NETbox Wall Mounting Cabinet W=600mm D=450mm
All Heights FRONT DOOR Options

- 1 Single Opening, Flat Shape, Side Framed Glass Front Door, Single Point Barrel Locking.
- 2 Single Opening, Flat Shape, Complete Solid Metal Front Door, Single Point Barrel Locking
- 3 Single Opening, Curved Shape, Side Framed Glass Front Door, Single Point Barrel Locking.

NETbox Wall Mounting Cabinet W=600mm D=450mm
All Heights REAR DOOR Options

- 1 Factory Configured Screwed and Mechanically Locked Rear Panel included
- 2 Hinged and barrel single point locking rear door

NETbox Wall Mounting Cabinet
W=600mm D=450mm
All Heights SIDE PANEL Options

- 1 NO Option, Factory Configured Side Panels are included

LN-AA XXU WW DD CC

LN Corporate codification beginning letters mentioning Lande in Short Format as LN

AA Family Group of Enclosure; FS for Free Standing cabinets, WM for Wall Mounting Cabinets, SH for Small office Home office Range, SR for Server enclosure Range, SL for Slim series, RS for Home series wall cabinets

XX Numeric Character defining the height of enclosures, depending on model differences between 12 to 45 to be selected from price list, website or catalogue

U U Height Alfanumeric Notation, concrete (non editable- fixed character)

WW The First 2 digits of the width info, 60 for W=600mm, 80 for W=800mm, 54 for W=540mm, 30 for W=300mm Soho 10" enclosure

DD The First 2 digits of the depth info, 45 for D=450mm, 40 for D=400mm, 60 for D=600mm, 80 for D=800mm, 10 for D=1000mm cabinets

CC Color Code, LG for Light Grey RAL 7035, BL for Black RAL 9005

000

0 Front Door Variation number, numeric character 1 to 9 / 0 means no front door, standard front door defined in Lande System as option 1., Please select other variations if needed from above door selection drawing. Unless defined option 1 should be delivered

0 Rear Door Variation number, numeric character 1 to 9 / 0 means no rear door, standard rear door defined in Lande System as option 1., Please select other variations if needed from above door selection drawing. Unless defined option 1 should be delivered

0 Side Panel/Door Variation number, numeric character 1 to 9 / 0 means no side panel on product, standard side panel/door defined in Lande System as option 1. Unless defined option 1 should be delivered



Width=600mm
Depth=600mm

Standard Heights:

5 different U heights:

07U, 09U, 12U, 16U, 20U

Standards, and Compliances:



ISO 9001:2008

Quality Management System

EN 61587 -1:2012

Mechanical Structures for
Electronic Equipment

IEC 297-1, 19" mounting

IEC 297-2 Overall cabinet dimentions



CE conform to

EN 60950-1:2006

Information Technology
Equipment – Safety – Part-1-
General Requirements



Environment Friendly;

*Environmental awareness

*RoHS compliancy

*% 100 Recyclable
Material

Load Capacity: 80 kgs.



NETbox series Wall Mounting Networking Enclosures, with 19" w:600mm and d:600mm physical sizes, with max internal usable depth, and 5 different height, gives a wide selection chart for users.

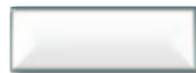
All Lande NETbox Wall cabinets are being delivered as a single piece pre-assembled enclosure, with standard factory settings.

For Decoratively fitting to environment of your living areas, the cabinet has been integrated with highly modern, art fragrant parts and accessories.

For door and panel variations for different purpose of usage,

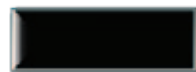
*** Please see door options in page 63

Standard Color:



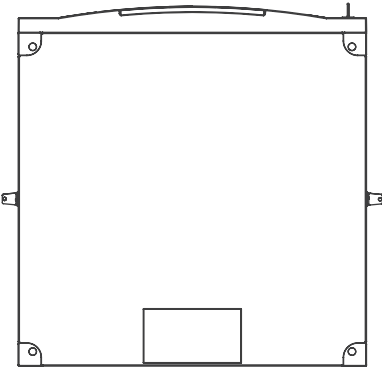
RAL 7035 Light Grey
(Stock Delivery)

Optional Color:

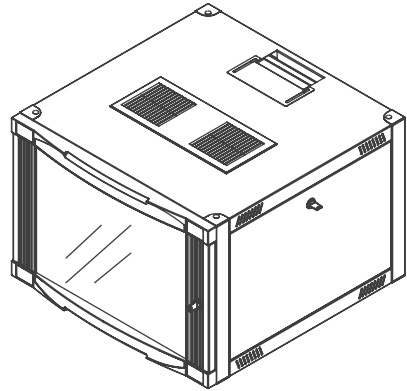


RAL 9005 Black

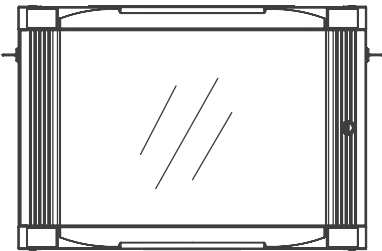
DETAILS ON
EXPLODED VIEW



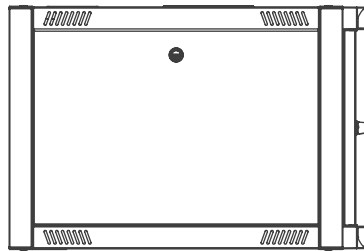
BOTTOM VIEW



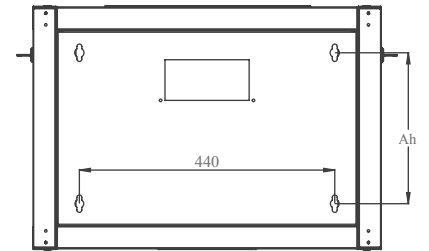
ISOMETRIC VIEW



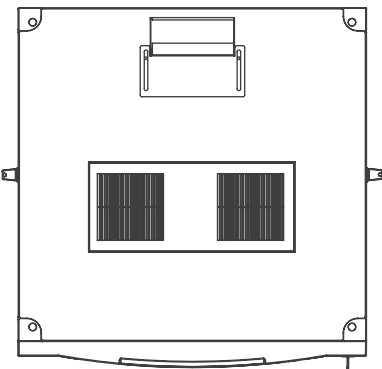
FRONT VIEW



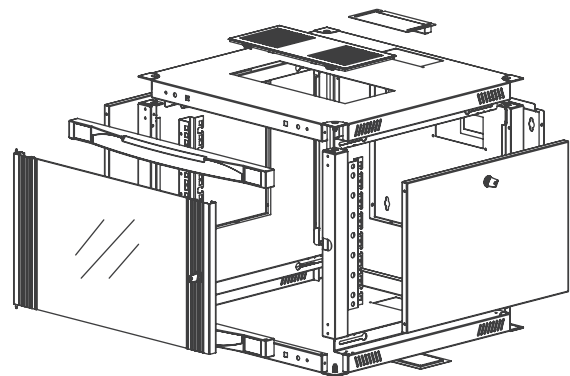
SIDE VIEW



REAR VIEW

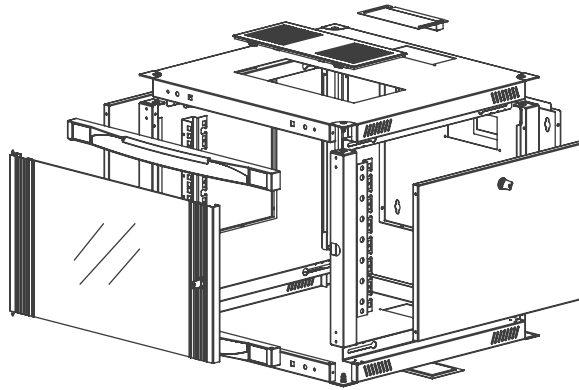


TOP VIEW

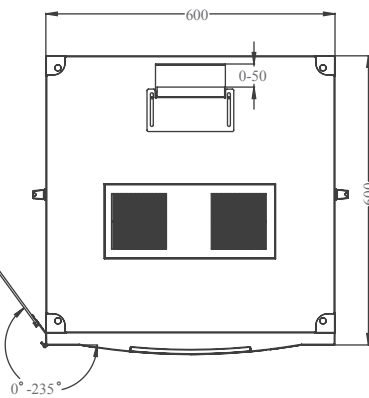


EXPLODED VIEW

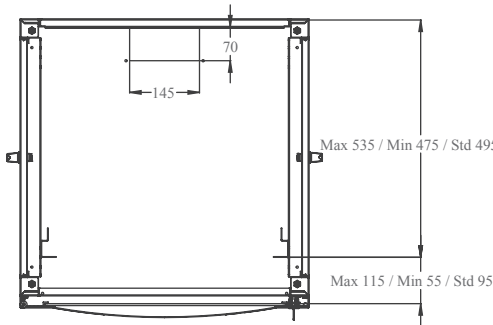
CONSTRUCTION
DRAWING



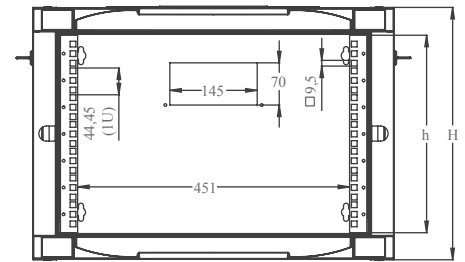
EXPLODED VIEW



FRONT DOOR
OPENING ANGLE



MAX/STD/MIN EQUIPMENT
MOUNTING DISTANCE



DIMENSIONS IN
WIDTH AND HEIGHT

NETbox Series Wall Mounting 19" Cabinets W=600mm D=600mm

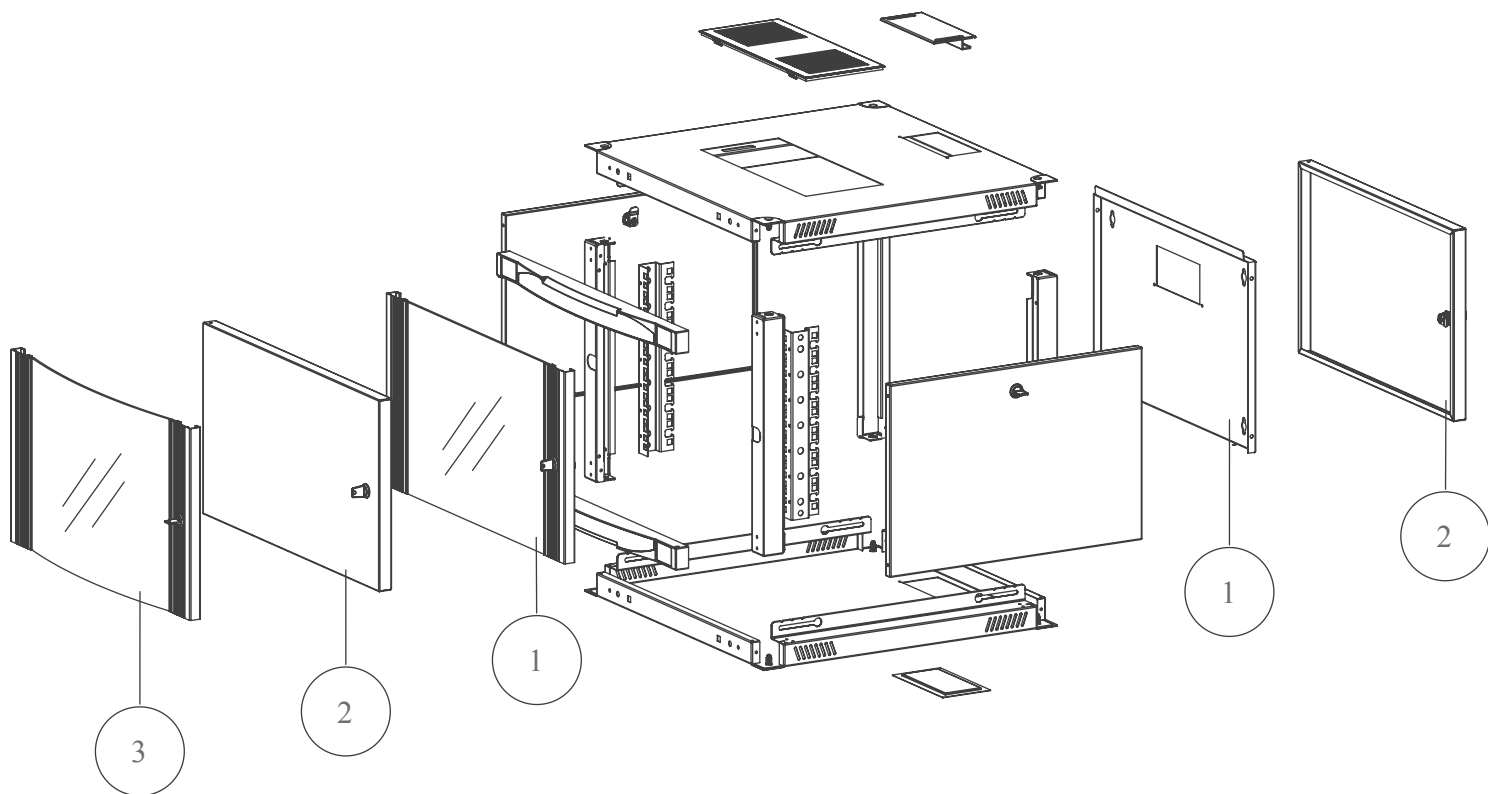
ROOT Product Number ***	Product Description	Size WxDxH mm	h size in U	h in mm	*H mm, overall without feet and/or castor	Width Overall mm	Ah Wall Mounting h mm	Width Rail to Rail mm	Depth Overall mm	**Depth Shipping Conf. Rail to Rear Panel mm	QTY IN PACKAGE	PACKING DIMENSIONS WxDxH mm	Standard NET Weight of product kgs	Gross Weight of Product kgs	QTY IN PALETTE	PALETTE DIMENSIONS WxDxH mm	Palette Weight kgs
LN-WM07U6060-CC-111	7U 19" Wall Mounting Cabinet W=600mm D=600mm	600x600x423	7U	311	423	600	260	19"	600	495	1	620x620x450	18	19	20	1300x1300x2400	406
LN-WM09U6060-CC-111	9U 19" Wall Mounting Cabinet W=600mm D=600mm	600x600x512	9U	400	512	600	349	19"	600	495	1	620x620x540	20	21	16	1300X1300x2280	362
LN-WM12U6060-CC-111	12U 19" Wall Mounting Cabinet W=600mm D=600mm	600x600x646	12U	533	646	600	482	19"	600	495	1	620x620x670	24	25,3	12	1300X1300x2150	329
LN-WM16U6060-CC-111	16U 19" Wall Mounting Cabinet W=600mm D=600mm	600x600x824	16U	711	824	600	660	19"	600	495	1	620x620x850	28	29,5	10	1300X1300x2450	321
LN-WM20U6060-CC-111	20U 19" Wall Mounting Cabinet W=600mm D=600mm	600x600x1001	20U	889	1001	600	838	19"	600	495z	1	620x620x1030	32	33,7	8	1300X1300x2250	295

* Please add 30mm to H mm once used with leveling feet, add 60mm to H mm once used with castor set.

** See min and max Adjustable depth variations on drawings

***CC= LG for Light Grey RAL 7035 & BL for Black RAL 9005 for customers to define while ordering, for "111" selection please see the door options

DOOR
OPTIONS



NETbox Wall Mounting Cabinet W=600mm D=600mm
All Heights FRONT DOOR Options

- 1 Single Opening, Flat Shape, Side Framed Glass Front Door, Single Point Barrel Locking.
- 2 Single Opening, Flat Shape, Complete Solid Metal Front Door, Single Point Barrel Locking
- 3 Single Opening, Curved Shape, Side Framed Glass Front Door, Single Point Barrel Locking.

NETbox Wall Mounting Cabinet W=600mm D=600mm
All Heights REAR DOOR Options

- 1 Factory Configured Screwed and Mechanically Locked Rear Panel included
- 2 Hinged and barrel single point locking rear door

NETbox Wall Mounting Cabinet
W=600mm D=600mm
All Heights SIDE PANEL Options

- 1 NO Option, Factory Configured Side Panels are included

LN-AA

XXU

WW

DD

CC

LN Corporate codification beginning letters mentioning Lande in Short Format as LN

AA Family Group of Enclosure; FS for Free Standing cabinets, WM for Wall Mounting Cabinets, SH for Small office Home office Range, SR for Server enclosure Range, SL for Slim series, RS for Home series wall cabinets

XX Numeric Character defining the height of enclosures, depending on model differences between 12 to 45 to be selected from price list, website or catalogue

U U Height Alfanumeric Notation, concrete (non editabile- fixed character)

WW The First 2 digits of the width info, 60 for W=600mm, 80 for W=800mm, 54 for W=540mm, 30 for W=300mm Soho 10" enclosure

DD The First 2 digits of the depth info, 45 for D=450mm, 40 for D=400mm, 60 for D=600mm, 80 for D=800mm, 10 for D=1000mm cabinets

CC Color Code, LG for Light Grey RAL 7035, BL for Black RAL 9005

000

0 Front Door Variation number, numeric character 1 to 9 / 0 means no front door, standard front door defined in Lande System as option 1., Please select other variations if needed from above door selection drawing. Unless defined option 1 should be delivered

0 Rear Door Variation number, numeric character 1 to 9 / 0 means no rear door, standard rear door defined in Lande System as option 1., Please select other variations if needed from above door selection drawing. Unless defined option 1 should be delivered

0 Side Panel/Door Variation number, numeric character 1 to 9 / 0 means no side panel on product, standard side panel/door defined in Lande System as option 1. Unless defined option 1 should be delivered



Width=600mm
Depth=600mm

Standard Heights:

2 different U heights:
22U, 26U

Standards, and Compliances:



ISO 9001:2008
Quality Management System

EN 61587-1 –
Mechanical Structures, cabinets
for electronic equipments

IEC 297-1, 19" mounting
IEC 297-2 Overall cabinet dimensions



CE conform to
EN 60950-1:2006
Information Technology
Equipment-Safety-Part-1-
General Requirements



Environment Friendly;
*Environmental awareness
*RoHS compliancy
*% 100 Recyclable
Material

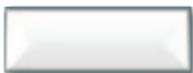
Load Capacity: 80 kgs.



Standard Colors:



RAL 9005 Black

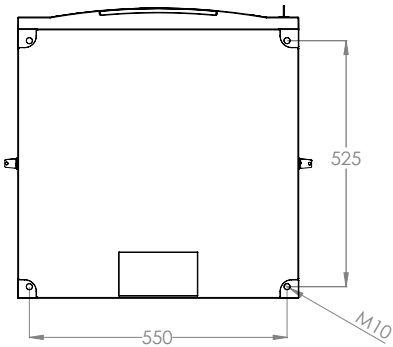


RAL 7035 Light Grey

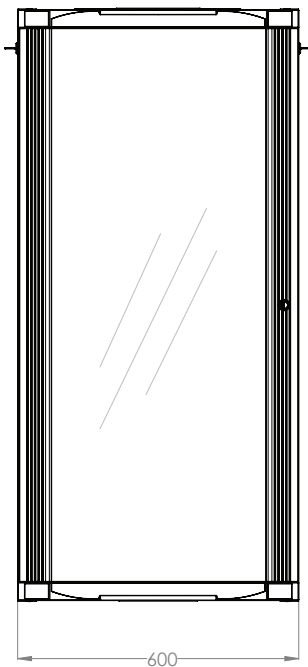
For Project case applications, Lande NETbox Wall cabinets are being produced at 22U and 26U 600x600 mm sizes. These product sizes are not kept in stock. With hinged rear door application, as well as caster group and leveling feet set added configuration should perform 80 kg on wall with a wall support kit, and up to 300 kgs on the floor.

For case study drawings please see page 67

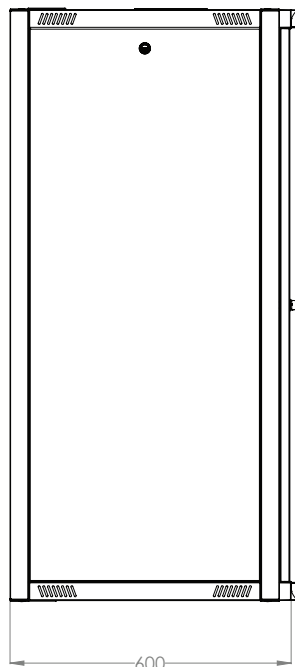
CASE STUDY
DRAWINGS



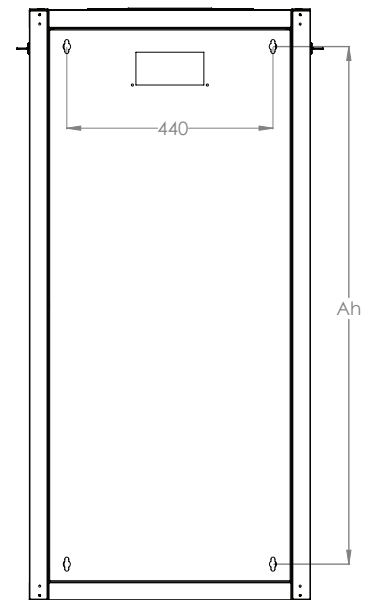
BOTTOM VIEW



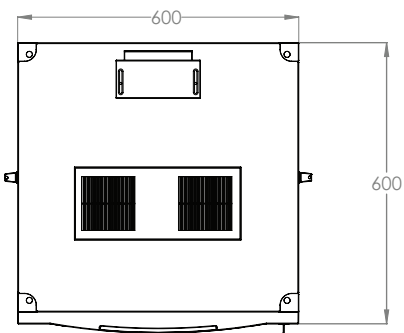
FRONT VIEW



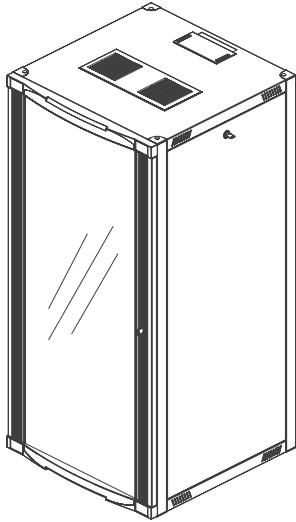
SIDE VIEW



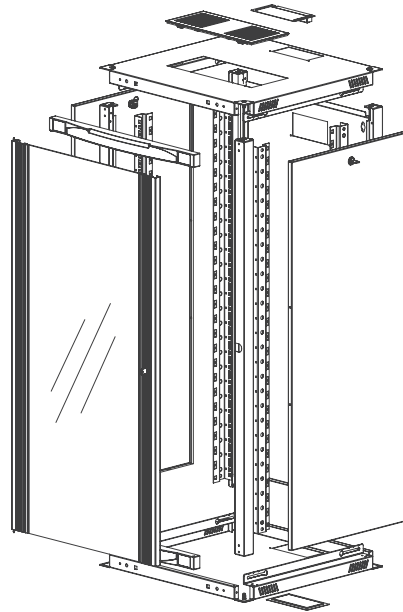
REAR VIEW



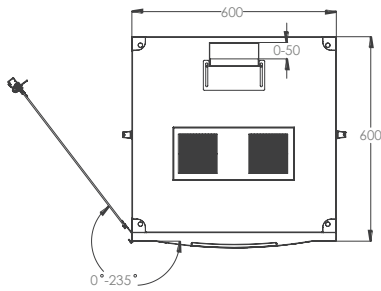
TOP VIEW



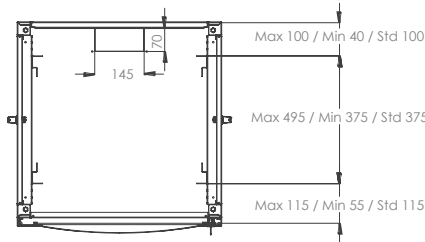
ISOMETRIC VIEW



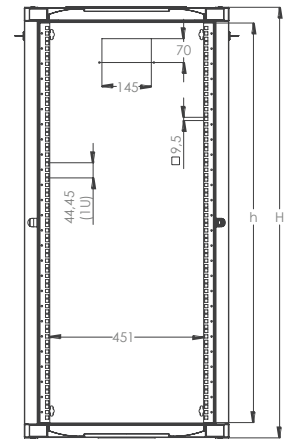
EXPLODED VIEW



FRONT DOOR
OPENING ANGLE



MAX/MIN/STD
EQUIPMENT
MOUNTING
DISTANCE



DIMENSIONS IN
WIDTH AND HEIGHT

NETbox Series Wall Mounting 19" Cabinets W=600mm D=600mm / 22U & 26U

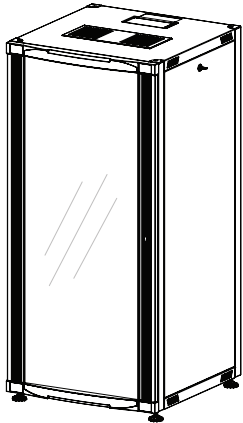
ROOT Product Number ***	Product Description	Size WxDxH mm	h size in U	h in mm	*H mm, overall without feet and/or castor	Width Overall mm	Ah Wall Mounting h mm	Width Rail to Rail mm	Depth Overall mm	**Depth Shipping Conf. Rail to Rail mm	QTY IN PACKAGE	PACKING DIMENSIONS WxDxH mm	Standard NET Weight of product kgs	Gross Weight of Product kgs	QTY IN PALLETTE	PALETTE DIMENSIONS WxDxH mm	Palette Weight kgs
LN-WM22U6060-CC-111	22U 19" Wall Mounting Cabinet W=600mm D=600mm With Rear Panel, 4 pcs equipment mounting rails	600x600x1090	22U	1004	1090	600	927	19"	600	375	1	620x620x1120	34,5	36	8	1300x1300x2380	314
LN-WM26U6060-CC-111	26U 19" Wall Mounting Cabinet W=600mm D=600mm With Rear Panel, 4 pcs equipment mounting rails	600x600x1268	26U	1181	1268	600	1105	19"	600	375	1	620x620x1300	39,5	41	6	1300x1300x2050	275
LN-WM22U6060-CC-121	22U 19" Wall Mounting Cabinet W=600mm D=600mm With Hinged and barrel locking Rear Door, 4 pcs equipment mounting rails	600x600x1090	22U	1004	1090	600	-	19"	600	375	1	620x620x1120	36	37	8	1300x1300x2380	310
LN-WM26U6060-CC-121	26U 19" Wall Mounting Cabinet W=600mm D=600mm With Hinged and barrel locking Rear Door, 4 pcs equipment mounting rails	600x600x1268	26U	1181	1268	600	-	19"	600	375	1	620x620x1300	40	42	6	1300x1300x2050	269
LN-RAF-RAY-WM-CC	Wall Support Kit for 22U and 26U Size W= 600mm D= 600mm, Recommended to Use on Wall 1 Set 2 pcs	250x250x50	-	-	-	-	-	-	-	-	1 set	260x260x110	1,8	2	-	-	-

* Please add 30mm to H mm once used with leveling feet, add 60mm to H mm once used with castor set.

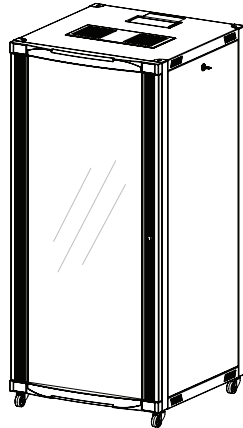
** See min and max Adjustable depth variations on drawings.

***CC= LG for Light Grey RAL 7035 & BL for Black RAL 9005 for customers to define while ordering, for "111" selection please see the door options.

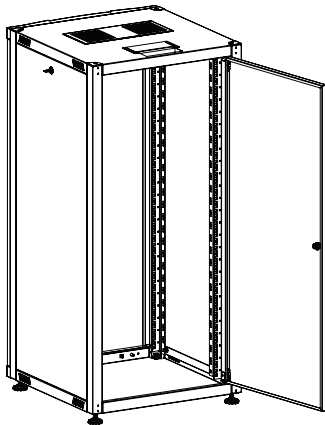
CASE STUDY
DRAWINGS



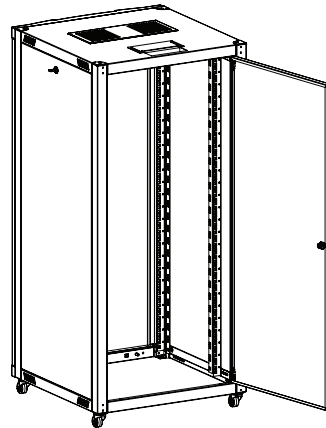
ISOMETRIC VIEW
WITH
LEVELING FEET



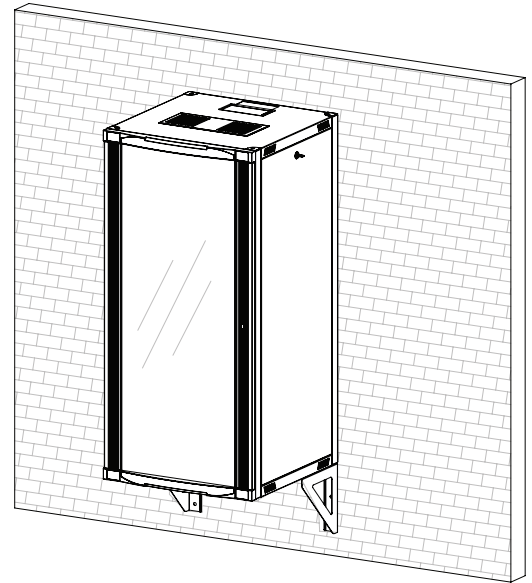
ISOMETRIC VIEW
WITH
CASTER SET



ISOMETRIC REAR VIEW
WITH LEVELING FEET WITH
HINGED REAR DOOR



ISOMETRIC REAR VIEW
WITH CASTER SET WITH
HINGED REAR DOOR



ISOMETRIC VIEW WITH WALL SUPPORT BRACKETS



NETbox Wall Mounting Cabinet W=600mm D=600mm
FRONT DOOR Options

- 1 Single Opening, Flat Shape, Side Framed Glass Front Door, Single Point Barrel Locking.
- 2 Single Opening, Flat Shape, Complete Solid Metal Front Door, Single Point Barrel Locking
- 3 Single Opening, Curved Shape, Side Framed Glass Front Door, Single Point Barrel Locking.

NETbox Wall Mounting Cabinet W=600mm D=600mm
REAR DOOR Options

- 1 Factory Configured Screwed and Mechanically Locked Rear Panel included
- 2 Hinged and barrel single point locking rear door

NETbox Wall Mounting Cabinet
W=600mm D=600mm
SIDE PANEL Options

- 1 NO Option, Factory Configured Side Panels are included

LN-AA

XXU

WW

DD

CC

LN Corporate codification beginning letters mentioning Lande in Short Format as LN

AA Family Group of Enclosure; FS for Free Standing cabinets, WM for Wall Mounting Cabinets, SH for Small office Home office Range, SR for Server enclosure Range, SL for Slim series, RS for Home series wall cabinets

XX Numeric Character defining the height of enclosures, depending on model differences between 12 to 45 to be selected from price list, website or catalogue

U U Height Alfanumeric Notation, concrete (non editable- fixed character)

WW The First 2 digits of the width info, 60 for W=600mm, 80 for W=800mm, 54 for W=540mm, 30 for W=300mm Soho 10" enclosure

DD The First 2 digits of the depth info, 45 for D=450mm, 40 for D=400mm, 60 for D=600mm, 80 for D=800mm, 10 for D=1000mm cabinets

CC Color Code, LG for Light Grey RAL 7035, BL for Black RAL 9005

000

0 Front Door Variation number, numeric character 1 to 9 / 0 means no front door, standard front door defined in Lande System as option 1., Please select other variations if needed from above door selection drawing. Unless defined option 1 should be delivered

0 Rear Door Variation number, numeric character 1 to 9 / 0 means no rear door, standard rear door defined in Lande System as option 1., Please select other variations if needed from above door selection drawing. Unless defined option 1 should be delivered

0 Side Panel/Door Variation number, numeric character 1 to 9 / 0 means no side panel on product, standard side panel/door defined in Lande System as option 1. Unless defined option 1 should be delivered



19" NETbox Double Section for WALL MOUNTING CABINETS

FEATURES of Rear Wall Section:

All Lande NETbox Wall Cabinets are proper for Rear Section Unit.

Rear Section is Heavy Duty Welded framed construction. 2,0mm thickness material welded as multi layer system creates at wall fixing provision a thickness of 4,0mm.

A PVC cable entry gland plate is available at the wall side welcomes if any cable comes up from wall, and back section to be align directly to the provision of cable run through.

19" provision located at rear section module, which allows if any passive less depth cabling component needs to be housed, while the cable bundles could be housed inside the 100mm depth empty housing box.

Triangular, positioning brackets buried into the 100mm rear housing box for alignment and raising a heavy load capability.

Spanner style special locking mechanism captures the rear 100mm box, in the welded 50mm depth frame, which integrates the rear section to the main NETbox wall cabinet.

Top and Bottom of the rear section module has cable entry cut-outs closed with Brushed cable entry provisions.

A specific flange system designed for heavy duty structure, where 50kgs of front NETbox wall cabinet total load is being carried without any problem. The 50 kgs of load capacity exists and performs while cabinet is in swinging position.

*** 50 kgs load capacity measured at integrated frontal wall cabinet of d:450mm

NETbox Rear Section Module, can be integrated to d:450mm version wall mounting cabinet, which overall cabinet dimension to be 450+150=600mm, the load capacity is 50kgs

Once a deeper equipment to be fitted for the same purposes, NETbox Rear Section can be integrated to d:600mm version wall mounting cabinet, which overall cabinet dimension to be 600+150=750mm, the load capacity is losing at a rate of % 30, than 35 kgs of load could be operated at swinging position.

*** At 600 + 150mm configuration, recommended to use for free standing purposes.

NETbox Rear Section Units are being sold as a separate Unit, later to be integrated to any of available NETbox wall mounting cabinet. This feature simply offers a flexibility and availability since if there is stocked wall mounting cabinet available in warehouses, customer should need to order only the Rear Section Unit. After removing the rear panel of existing Wall mounting cabinet, only 4 screws to be tighten again for integration of Rear Section Unit.

NETbox Rear section swinging direction could be managed easily, due to assembly placement availability, opening left to right or right to left is not a problem.

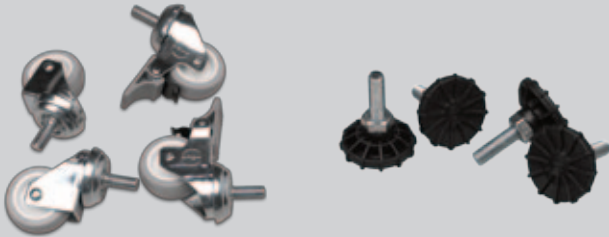
Lande NETbox Rear Sections are in RAL 7016 Anthracite Grey color from stock.



WALL MOUNTING CABINETS

ADDITIONAL FEATURES of Rear Section integrated NETbox DOUBLE SECTION WALL MOUNTING CABINETS:

The Feature of integration with Caster group or PVC adjustable leveling feet group is applicable for double section wall mounting cabinet if intended to use as free standing cabinet purposes.



Please see detailed description in accessory section.

Part numbers to order:

*** LN-ZMN-TKR-5020-XX for Caster Group Set

LN-ZMN-PNY-1040-XX for PVC Leveling Feet Group Set

Once using the Lande NETbox double section wall cabinets for Free standing purposes, and access from rear of the enclosure could be managed by swinging capability of rear section.

Lande NETbox wall cabinets are being delivered with 1set: 2pcs 19" Rails.

Once a 4 point fixing shelf or any other 4 point fixing equipment to be installed in double section wall mounting cabinets, an additional set of 19" rails to be ordered. With this application it is possible to locate some deeper networking devices as well some heavy equipments like UPS's etc.

Part numbers to order:

***LN-PRF-CMD-xx UD-ZN

Define xx as the U height of intended NETbox wall cabinet to be used

Example Part Nr: LN-PRF-CMD-07UD-ZN

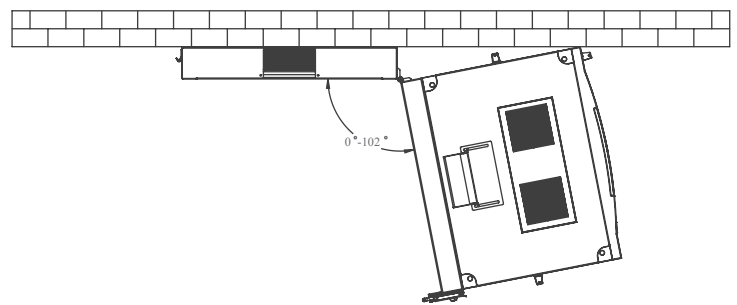
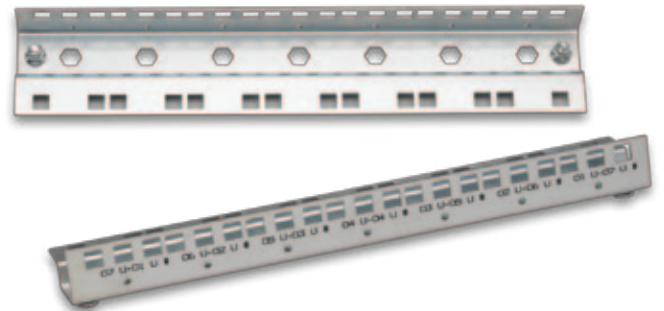
Please see detailed description in accessory section.

NETbox Double Section cabinets has the same front door variations like d:450 or d:600mm

NETbox Rear Section Module, can be swinging up to 102 degree opening angle because of the wall to stop swinging capability, which is the best performance in its segment. If cabinet is used as free standing cabinet than 180 degree swinging is possible.

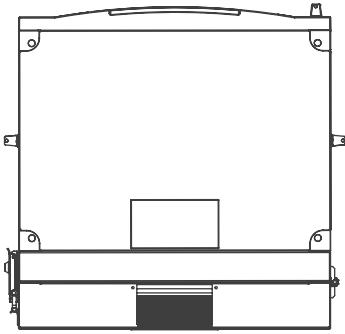
While cabinet is on wall a straight access could be managed to enclosure in fully swing out position.

** Of course if the cabinet is assembled to a column or end of wall , which the swinging capability has not been stopped by wall or any other stopper, than can swing up to 180 degree.

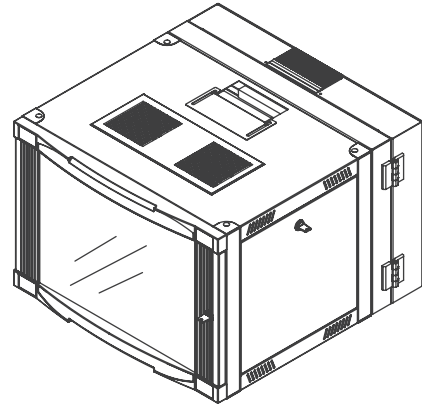


DOUBLE SECTION OPENING ANGLE

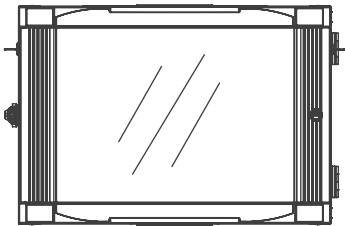
DOUBLE SECTION
CONSTRUCTION
DRAWING



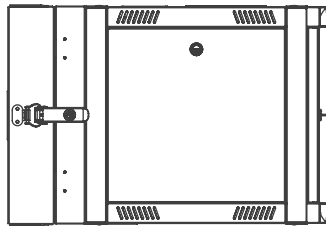
TOP VIEW



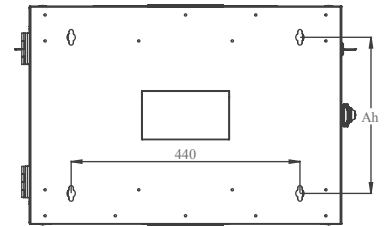
ISOMETRIC VIEW



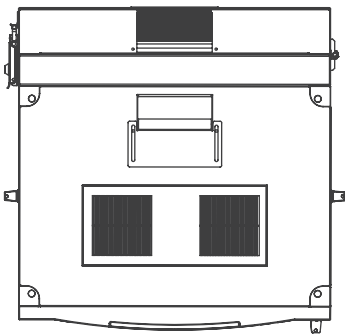
FRONT VIEW



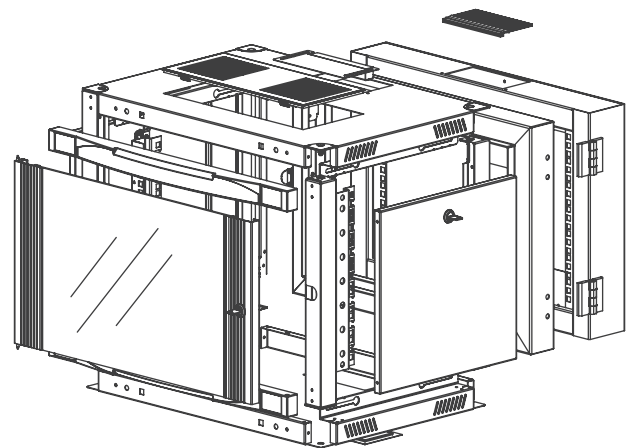
SIDE VIEW



REAR VIEW

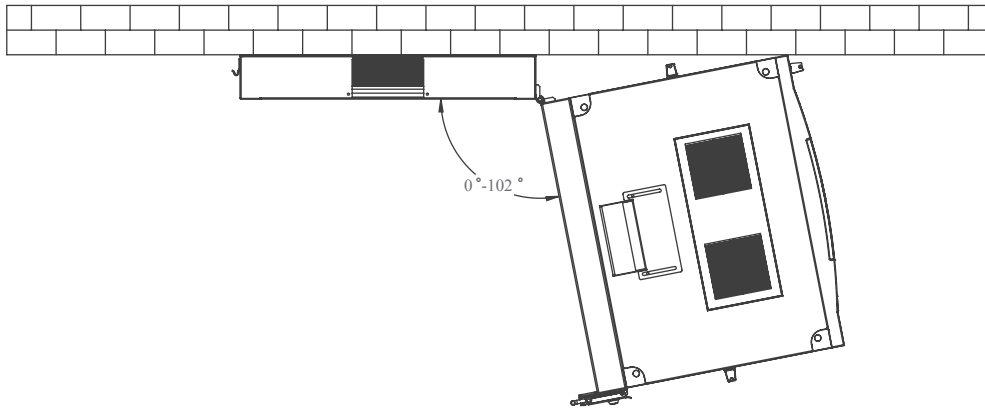


BOTTOM VIEW

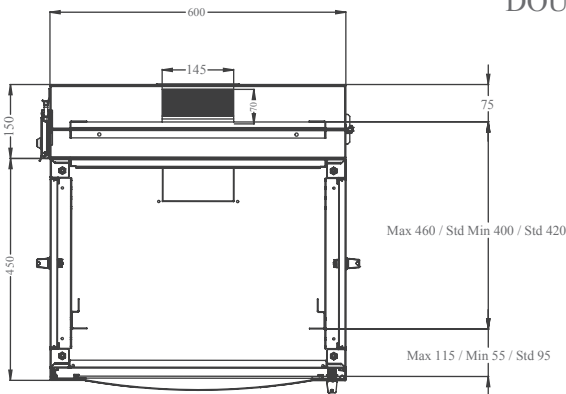


EXPLODED VIEW

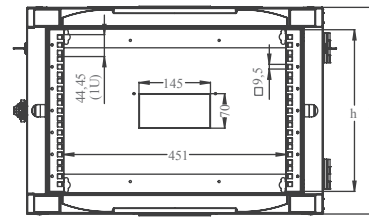
DOUBLE SECTION
CONSTRUCTION
DRAWING



DOUBLE SECTION OPENING ANGLE



MAX/STD/MIN EQUIPMENT
MOUNTING DISTANCE



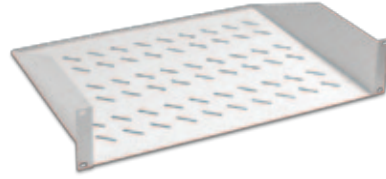
DIMENSIONS IN
WIDTH AND HEIGHT

NETbox Series Wall Mounting 19" Cabinets REAR SECTION MODULE W=600mm D=150mm

ROOT Product Number ***	Product Description	Size WXD _X H _H mm	h size in U	h in mm	H mm, overall	Width Overall mm	A _h Wall Mounting h mm	Width Rail to Rail	Depth Overall mm	QTY IN PACKAGE	PACKING DIMENSIONS WXD _X H _H mm	Standard NET Weight of product kgs	Gross Weight of Product kgs
LN-WM07U6015-AG	NETbox Wall Mounting Cabinet 7U Rear Section	600x150x423	7U	311	423	600	300	19"	150	1	655x175x420	8,2	8,8
LN-WM09U6015-AG	NETbox Wall Mounting Cabinet 9U Rear Section	600x150x512	9U	400	512	600	389	19"	150	1	655x175x510	10,4	11,3
LN-WM12U6015-AG	NETbox Wall Mounting Cabinet 12U Rear Section	600x150x646	12U	533	646	600	522	19"	150	1	655x175x645	13,3	15
LN-WM16U6015-AG	NETbox Wall Mounting Cabinet 16U Rear Section	600x150X824	16U	711	824	600	700	19"	150	1	655x175x625	18	20
LN-WM20U6015-AG	NETbox Wall Mounting Cabinet 20U Rear Section	600x150X1001	20U	889	1001	600	878	19"	150	1	655x175x1010	21,3	25

***AG= Anthracite Grey RAL 7016.

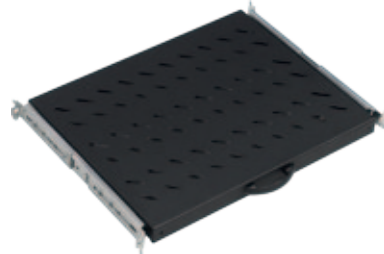
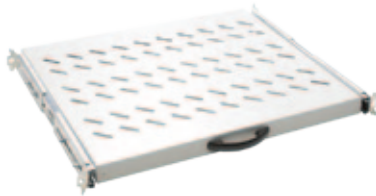
19" NETbox Wall Mounting Cabinets Frequent Used Accessory Selection Chart



Frequent Used Accessories 19" NETbox Wall Mounting Cabinets w:width mm d:depth mm

	NETbox Wall w:600xd:450	NETbox Wall w:600xd:600	NETbox Wall w:600xd:150 integrated double section d:450+150 or d:600+150
Rack Mount Shelves	LN-RAF-RMO-1U25-CC LN-RAF-RMO-2U35-CC	LN-RAF-RMO-1U25-CC LN-RAF-RMO-2U35-CC	LN-RAF-RMO-1U25-CC LN-RAF-RMO-2U35-CC

**CC is color code: please insert BL for Black and LG for Light Grey on the part numbers while creating order



Frequent Used Accessories 19" NETbox Wall Mounting Cabinets w:width mm d:depth mm

	NETbox Wall w:600xd:450	NETboxWall w:600xd:600	NETbox Wall w:600xd:150 integrated double section d:450+150 or d:600+150
Sliding Shelves	-	***LN-RAF-HRK-D600-CC	***LN-RAF-HRK-D600-CC

**CC is color code: please insert BL for Black and LG for Light Grey on the part numbers while creating order

*** Can be used once additional set of 19" rails to be ordered for rear side of the cabinet

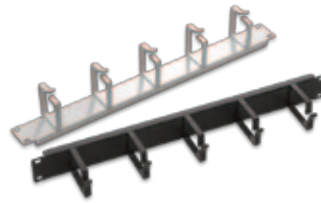


Frequent Used Accessories 19" NETbox Wall Mounting Cabinets w:width mm d:depth mm

	NETbox Wall w:600xd:450	NETboxWall w:600xd:600	NETbox Wall w:600xd:150 integrated double section d:450+150 or d:600+150
1 fan Units on/off switched	LN-FAN-ONF-1FWM-CC	LN-FAN-ONF-1FWM-CC	LN-FAN-ONF-1FWM-CC
1 fan Units with Thermostatic control Unit	LN-FAN-THM-1FWM-CC	LN-FAN-THM-1FWM-CC	LN-FAN-THM-1FWM-CC
2 fan Units on/off switched	LN-FAN-ONF-2FWM-CC	LN-FAN-ONF-2FWM-CC	LN-FAN-ONF-2FWM-CC
2 fan Units with Thermostatic control Unit	LN-FAN-THM-2FWM-CC	LN-FAN-THM-2FWM-CC	LN-FAN-THM-2FWM-CC

**CC is color code: please insert BL for Black and LG for Light Grey on the part numbers while creating order

Frequent Used Accessory Selection Chart



Frequent Used Accessories 19" NETbox Wall Mounting Cabinets w:width mm d:depth mm			
	NETbox Wall w:600xd:450	NETbox Wall w:600xd:600	NETbox Wall w:600xd:150 integrated double section d:450+150 or d:600+150
Horizontal Cable Management Panel 19" 1U 5 rings	LN-KDG-YKD-1UKN-CC	LN-KDG-YKD-1UKN-CC	LN-KDG-YKD-1UKN-CC

**CC is color code: please insert BL for Black and LG for Light Grey on the part numbers while creating order



Frequent Used Accessories 19" NETbox Wall Mounting Cabinets w:width mm d:depth mm			
	NETbox Wall w:600xd:450	NETbox Wall w:600xd:600	NETbox Wall w:600xd:150 integrated double section d:450+150 or d:600+150
Caster Group 2 w/breakes 2 wo/breakes	LN-ZMN-TKR-5020-XX	LN-ZMN-TKR-5020-XX	LN-ZMN-TKR-5020-XX



Frequent Used Accessories 19" NETbox Wall Mounting Cabinets w:width mm d:depth mm			
	NETbox Wall w:600xd:450	NETbox Wall w:600xd:600	NETbox Wall w:600xd:150 integrated double section d:450+150 or d:600+150
PDU 6 way Schuko with 1x16A cct breaker	LN-PRZ-SGT-1U6P-SC	LN-PRZ-SGT-1U6P-SC	LN-PRZ-SGT-1U6P-SC



Frequent Used Accessories 19" NETbox Wall Mounting Cabinets w:width mm d:depth mm			
	NETbox Wall w:600xd:450	NETbox Wall w:600xd:600	NETbox Wall w:600xd:150 integrated double section d:450+150 or d:600+150
PDU Economic 6 way Schuko on/off switch	LN-PRZ-EKO-1U6P-SC	LN-PRZ-EKO-1U6P-SC	LN-PRZ-EKO-1U6P-SC



Frequent Used Accessories 19" NETbox Wall Mounting Cabinets w:width mm d:depth mm			
	NETbox Wall w:600xd:450	NETbox Wall w:600xd:600	NETbox Wall w:600xd:150 integrated double section d:450+150 or d:600+150
Mounting Hardware, Fixing M6 Cage nut set of 20	LN-DGR-KFS-M620-XX	LN-DGR-KFS-M620-XX	LN-DGR-KFS-M620-XX

19" and 10" NETbox SOHO Network
Wall Mounting C A B I N E T s



19" and 10" NETbox SOHO Network Wall Mounting Cabinets F A M I L Y

19" and 10" NETbox SOHO Network Series Wall Mounting Cabinets

NETbox SOHO Network Series wall mounting cabinets are designed for Network distribution, where a quick installation needed at an efficient cost. While product gives maximum performance on cabling and networking infrastructure, in parallel provides a very respective economy compared to its quality which is based on high technologic fully automated industry.

Product range has been optimized with the needed performance and quality as well provides the best cost scheme.

The 19" NETbox SOHO Network product range designed for the most slim packing for the flat pack delivery purposes. Cost of delivery is minimal, and warehousing costs are relatively less with the intelligent design and slim packing

Each cabinet is supplied as standard with a glass front door lockable with a barrel style locking unit.

The 19" 540x300mm and 540x400mm available sizes for 3 available heights of 7U,9U,12U

Completely standard and stocked product portfolio, being delivered a single piece flat pack product, as shipping configuration the one set: 2pieces 19" adjustable equipment mounting rails included.

And 10" 312x300mm available at 6U height

Completely standard and stocked product portfolio, being delivered a single piece assembled product, as shipping configuration the one set: 2pieces 10" adjustable equipment mounting rails included.



19" NETbox SOHO Network Wall Mounting Cabinets F A M I L Y

CONSTRUCTION DETAILS:

Framework- Top/Bottom Cases:

Multi Folded Automated Bending technology applied framework and top/bottom cases, provides a heavy duty structure results to high load capacity of: 80 kgs on wall nominal way.

Monoblock multi folded top and bottom cases resulted to a very heavy construction, tightly fixed to the framework with fixing hardware , fully modular system generated. Top case has a punched/vented Forced Ventilation (Fan Module) integration housing.

A ready Fan Module can be integrated or just single Fan could be assembled directly. In case less heat load occurs inside the cabinet than vented top case discharges the hot air via convection

Top case integrated with a brushed cable entry point with w:145mmxd:70mm size allows proper cabling insertion as well preventing the dust entry.

Bottom case integrated with a PVC Gland plate w:145mmxd:70mm.

In case of cables to be inserted from bottom case, the brushed cable entry and PVC gland plate could be replacing each other.

The full length smoked, shatterproof, antistatic, 4,0mm thickness glass with single point locking barrel lock is standard shipping configuration.

Solid Metal door is available upon request, please see front door variations at page 80,83.

Front door opening direction is set right to left, but reversible to left to right at site with removing the hinge system. Hinge System is channel type with screws.

The NETbox SOHO Network cabinet has a feature of integration with Caster group or PVC leveling feet group. NETbox Soho Network wall mounting cabinets can be used as underdesk or free standing purpose with this feature.

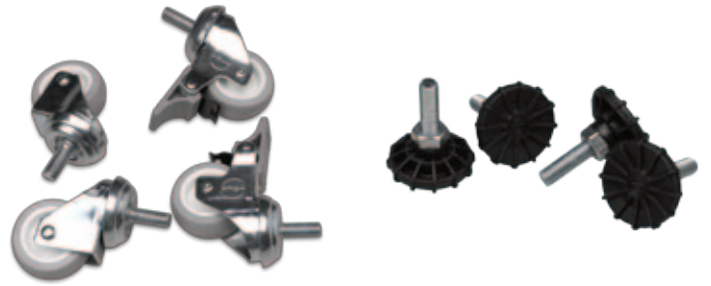
Please see detailed description in accessory section.

Part numbers to order:

*** LN-ZMN-TKR-5020-XX for Caster Group Set
LN-ZMN-PNY-1040-XX for PVC Leveling Feet Group Set

NETbox SOHO Network Wall cabinets has sticky colour changing thermometer, range 20 to 40 C as an accessory.

Available / Stocked Color of NETbox SOHO Network Wall cabinets are in RAL 7035 Light Grey, incase of Black RAL 9005 color product needed, coordinate with sales department.



Width=540mm
Depth=300/400mm

Standard Heights:

1 Available U Height: 07U for D:300mm.
3 Different U Heights: 07U, 09U, 12U
for D:400mm.

Standards, and Compliances:



ISO 9001:2008
Quality Management System

EN 61587 -1:2012
Mechanical Structures for
Electronic Equipment

IEC 297-1, 19" mounting
IEC 297-2 Overall cabinet dimensions



CE conform to
EN 60950-1:2006
Information Technology
Equipment – Safety – Part-1-
General Requirements



Environment Friendly;
*Environmental awareness
*RoHS compliancy
*% 100 Recyclable
Material

Load Capacity: 80 kgs.



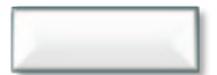
NETbox SOHO series Wall Mounting Networking Enclosures, with 19" w:540mm and d:300/400mm physical sizes, with less depth need in very efficient cost scheme and logistics, and 3 different height for D:400mm, gives a choice of selection chart for users. D:300mm is available at 7U Height where just simple Networking distribution to be operated.

All Lande 19" NETbox SOHO Wall cabinets are being delivered as a single piece Flat Pack enclosure, with standard factory settings.

For door and panel variations

*** Please see door options in page 80.

Standard Color:



RAL 7035 Light Grey
(Stock Delivery)

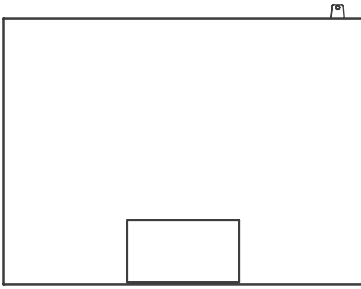
Optional Color:



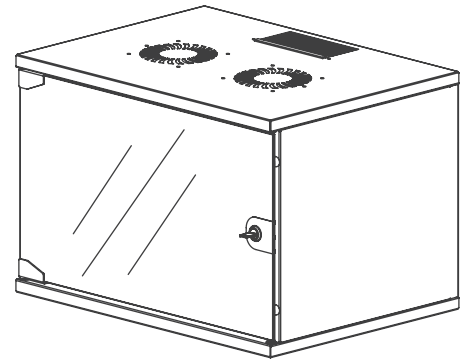
RAL 9005 Black



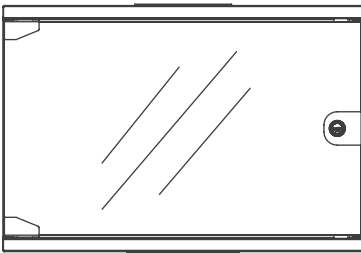
CONSTRUCTION
DRAWING



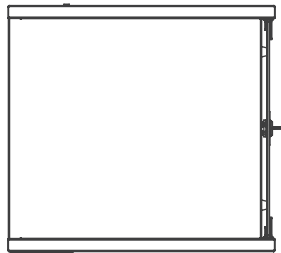
BOTTOM VIEW



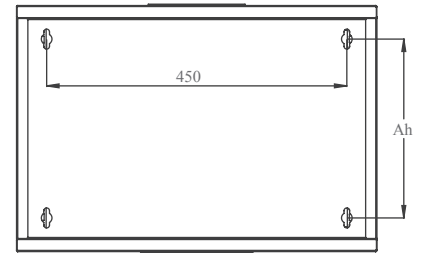
ISOMETRIC VIEW



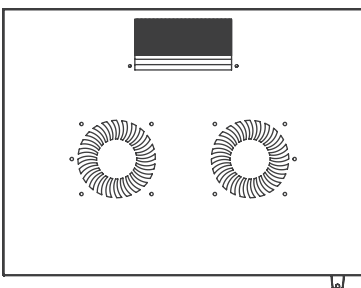
FRONT VIEW



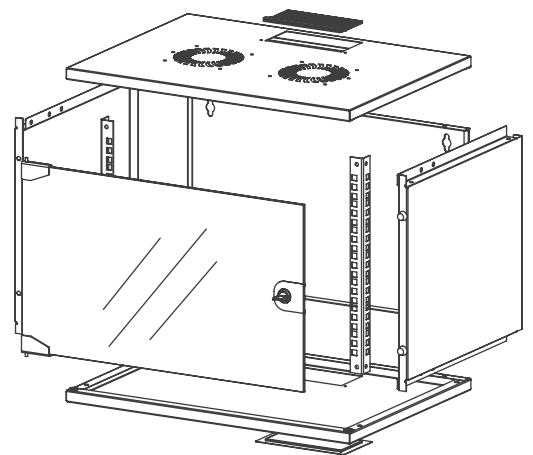
SIDE VIEW



REAR VIEW

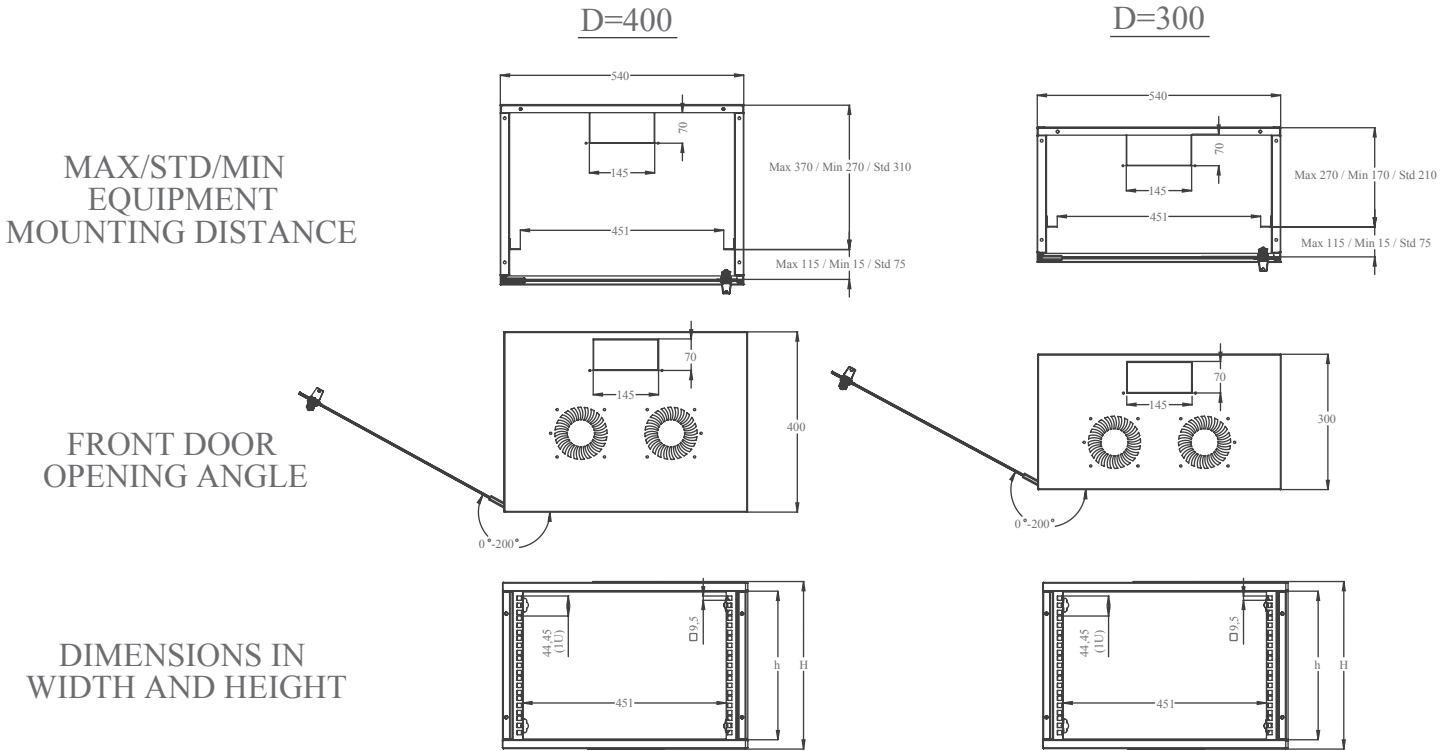


TOP VIEW



EXPLODED VIEW

CONSTRUCTION DRAWING



NETbox SOHO Series Wall Mounting 19" Cabinets W=540mm D=400/300mm

ROOT Product Number **	Product Description	Size WxDXH mm	h size in U	h in mm	H mm, overall without feet and/or castor	Width Overall mm	Ah Wall Mounting h mm	Width Rail to Depth mm	Depth Overall mm	*Depth Shipping Conf. Rail to Rear Panel mm	QTY IN PACKAGE	PACKING DIMENSIONS WxDXH mm	Standard NET Weight of product kgs	Gross Weight of Product kgs	QTY IN PALETTE	PALETTE DIMENSIONS WxDXH mm	Palette Weight kgs
LN-SH07U5430-CC-F0	7U 19" Wall Mounting Cabinet W=540mm D=300mm	540x300x370	7U	311	370	540	268	19"	300	210	1	630x425x70	8,3	9,2	60	1300x1300x1320	600
LN-SH07U5440-CC-F0	7U 19" Wall Mounting Cabinet W=540mm D=400mm	540x400x370	7U	311	370	540	268	19"	400	310	1	630x425x70	9,3	10,2	60	1300x1300x1320	670
LN-SH09U5440-CC-F0	9U 19" Wall Mounting Cabinet W=540mm D=400mm	540x400x460	9U	400	460	540	357	19"	400	310	1	630x445x70	10,7	11,7	60	1300x1300x1320	760
LN-SH12U5440-CC-F0	12U 19" Wall Mounting Cabinet W=540mm D=400mm	540x400x595	12U	533	595	540	490	19"	400	310	1	650x580x90	13,2	14,5	60	1300x1300x1620	950

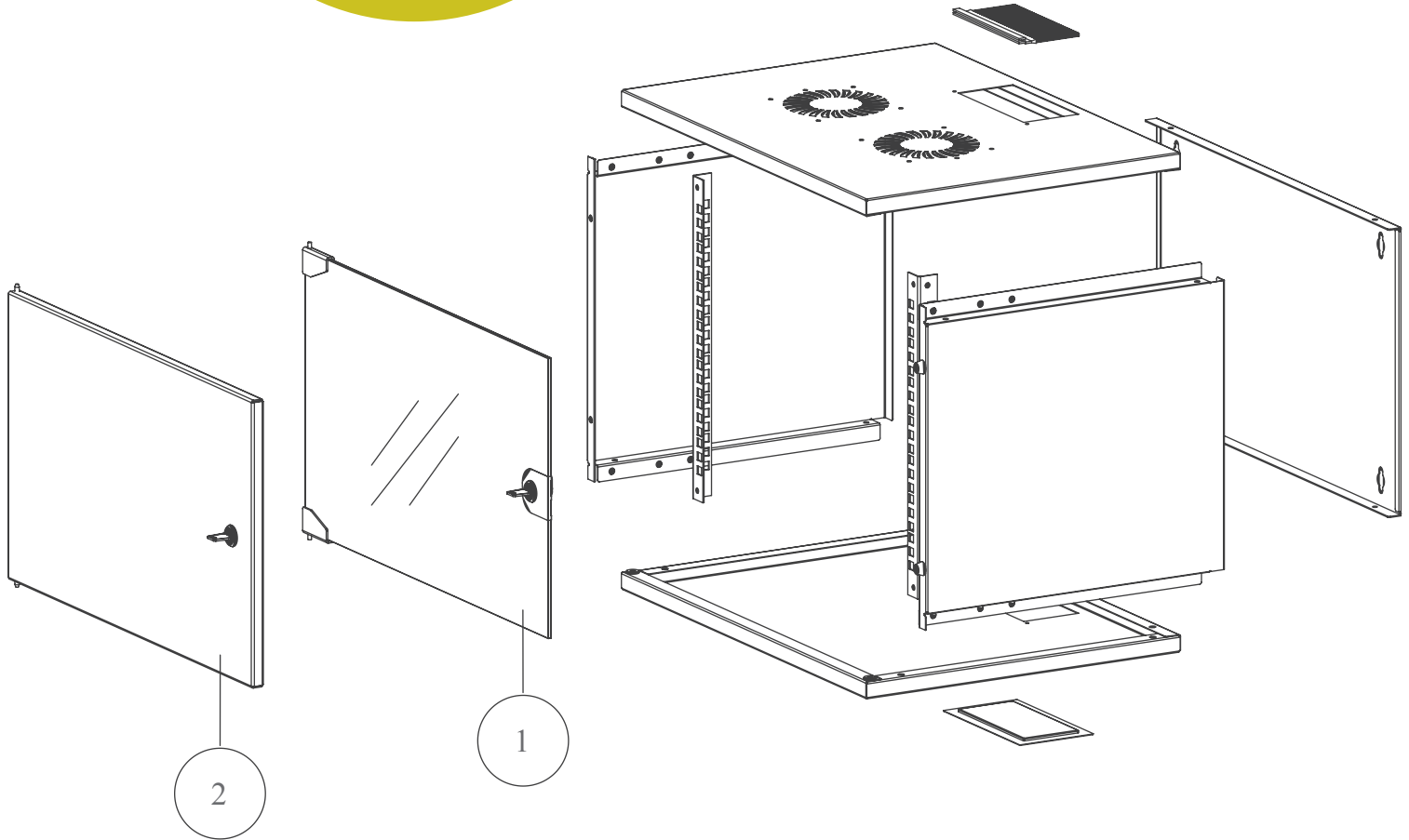
* See min and max Adjustable depth variations on drawings.

**CC= LG for Light Grey RAL 7035 & BL for Black RAL 9005 for customers to define while ordering, Standard stock is in RAL 7035 LG color, for Black RAL 9005 BL please coordinate with sales department.

*** F= F0 Notation means the delivery is in Unmounted "Flat Pack" configuration Standard stock is in Flat Pack Form. If the delivery needed in Assembled way please add A0 notation. 'Sample Part Number : SH07U5440-CC-A0'



DOOR
OPTIONS



19" NETbox SOHO Network Cabinet W=540 mm. D= 300/400mm.
All Heights FRONT DOOR Options

- 1 Single Opening, Flat Shape, Full Glass Front Door, Single Point Barrel Locking
- 2 Single Opening, Flat Shape, Complete Solid Metal Front Door, Single Point Barrel Locking

19" NETbox SOHO Network Cabinet W=540 mm. D= 300/400mm.
All Heights REAR DOOR Options

- 1 NO Option, Factory Configured Rear Panels are included

19" NETbox SOHO Network Cabinet W=540 mm. D=300/400mm.
All Heights SIDE PANEL Options

- 1 NO Option, Factory Configured Side Panels are included

LN-AA

XXU

WW

DD

CC

000

LN Corporate codification beginning letters mentioning Lande in Short Format as LN

AA Family Group of Enclosure; FS for Free Standing cabinets, WM for Wall Mounting Cabinets, SH for Small office Home office Range, SR for Server enclosure Range, SL for Slim series, RS for Home series wall cabinets

XX Numeric Character defining the height of enclosures, depending on model differences between 12 to 45 to be selected from price list, website or catalogue

U U Height Alfanumeric Notation, concrete (non editable- fixed character)

WW The First 2 digits of the width info, 60 for W=600mm, 80 for W=800mm, 54 for W=540mm, 30 for W=300mm Soho 10" enclosure

DD The First 2 digits of the depth info, 45 for D=450mm, 40 for D=400mm, 60 for D=600mm, 80 for D=800mm, 10 for D=1000mm cabinets

CC Color Code, LG for Light Grey RAL 7035, BL for Black RAL 9005

0 Front Door Variation number, numeric character 1 to 9 / 0 means no front door, standard front door defined in Lande System as option 1., Please select other variations if needed from above door selection drawing. Unless defined option 1 should be delivered

0 Rear Door Variation number, numeric character 1 to 9 / 0 means no rear door, standard rear door defined in Lande System as option 1., Please select other variations if needed from above door selection drawing. Unless defined option 1 should be delivered

0 Side Panel/Door Variation number, numeric character 1 to 9 / 0 means no side panel on product, standard side panel/door defined in Lande System as option 1. Unless defined option 1 should be delivered



CONSTRUCTION DETAILS:**Framework- Top/Bottom Cases:**

Multi Folded Automated Bending technology applied framework and top/bottom cases, provides a heavy duty structure results to high load capacity of: 20 kgs on wall nominal load.

Monoblock multi folded top and bottom cases resulted to a very heavy construction, tightly fixed to the framework with fixing hardware , fully modular system generated.

Top case integrated with a brushed cable entry point with w:145mm x d:70mm size allows proper cabling insertion as well preventing the dust entry.

Bottom case integrated with a PVC Gland plate w:145mmxd:70mm.

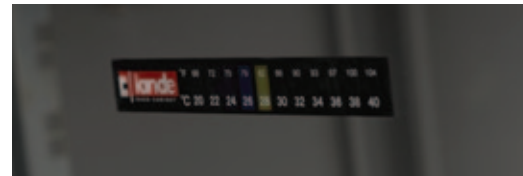
In case of cables to be inserted from bottom case, the brushed cable entry and PVC gland plate could be replacing each other.

The full length smoked, shatterproof, antistatic, 4,0mm thickness glass with single point locking barrel lock is standard shipping configuration.

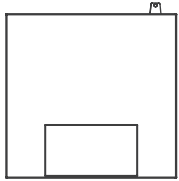
Front door opening direction is set right to left, but reversible to left to right at site with removing the hinge system. Hinge System is channel type with screws.

NETbox SOHO Network Wall cabinets has sticky colour changing thermometer, range 20 to 40 C as an accessory.

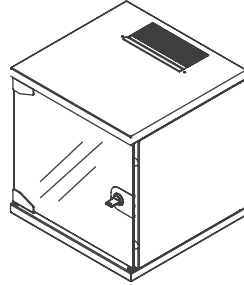
Available / Stocked Color of NETbox SOHO Network Wall cabinets are in RAL 7035 Light Grey, incase of Black RAL 9005 color product needed, coordinate with sales department.



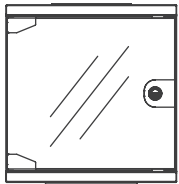
CONSTRUCTION DRAWING



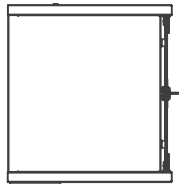
BOTTOM VIEW



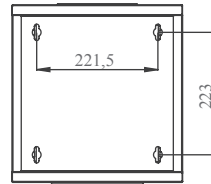
ISOMETRIC VIEW



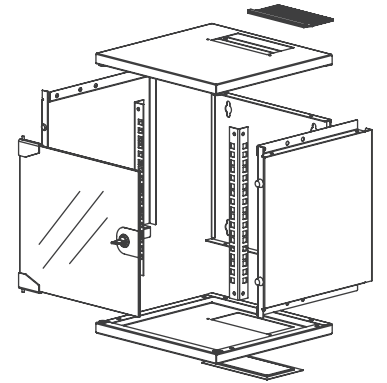
FRONT VIEW



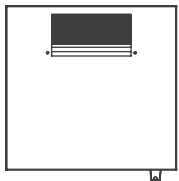
SIDE VIEW



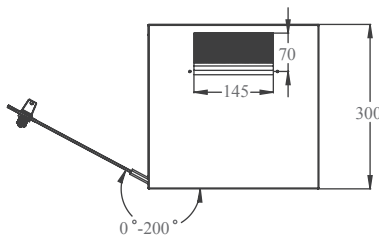
REAR VIEW



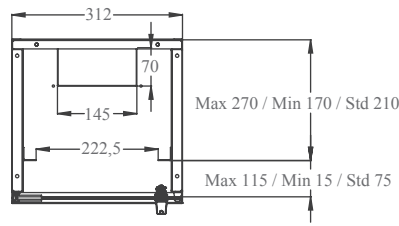
EXPLODED VIEW



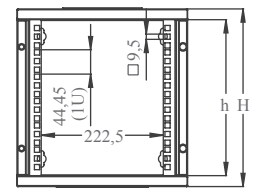
TOP VIEW



FRONT DOOR
OPENING ANGLE



MAX/STD/MIN
EQUIPMENT
MOUNTING DISTANCE



DIMENSIONS IN
WIDTH AND HEIGHT

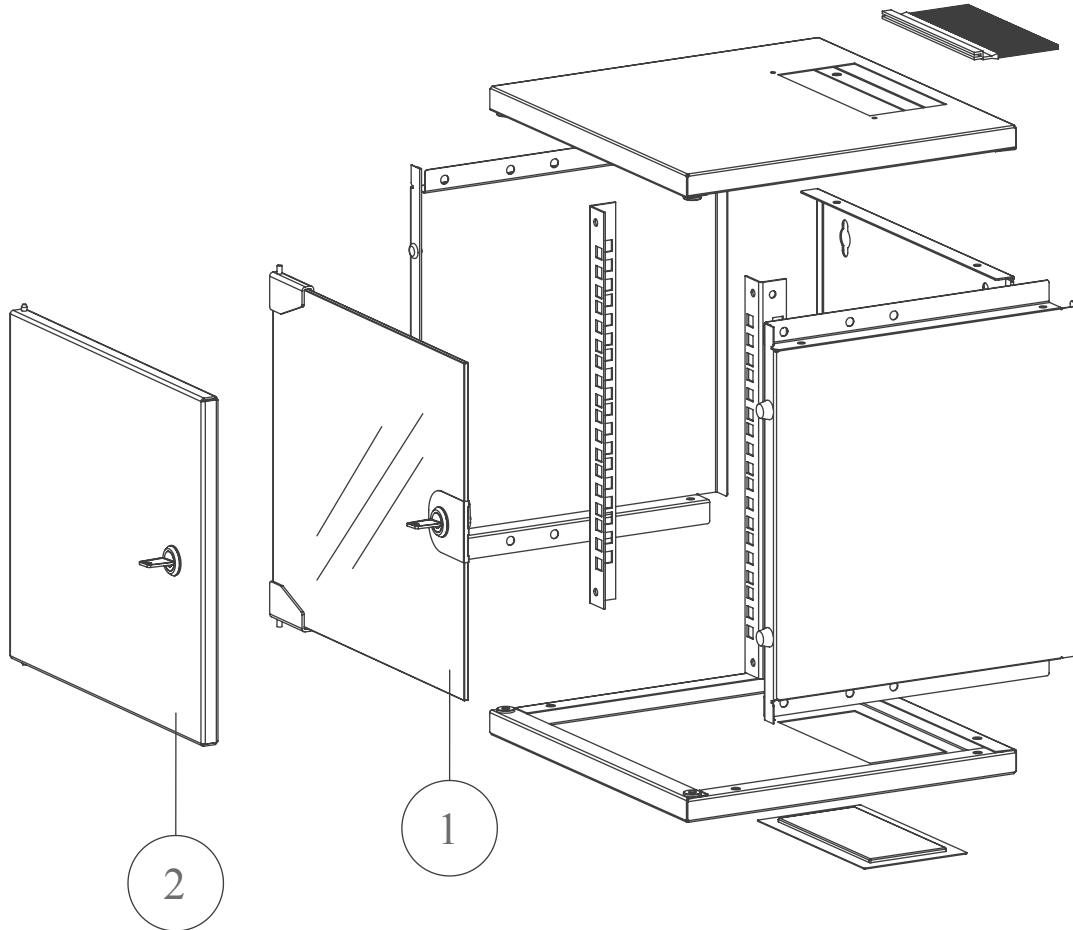
NETbox SOHO Series Wall Mounting 10" Cabinets W=312mm D=300mm

ROOT Product Number **	Product Description	Size W×D×H mm	h size in U	h in mm	H mm, overall	Width Overall mm	Width Rail to Rail	Depth Overall mm	*Depth Shipping Conf. Rail to Rear Panel mm	QTY IN PACKAGE	PACKING DIMENSIONS W×D×H mm	Standard NET Weight of product kgs	Gross Weight of Product kgs	QTY IN PALETTE	PALETTE DIMENSIONS W×D×H mm	Palette Weight kgs
LN-SH06U3030-CC	6U 10" Wall Mounting Cabinet W=300mm D=300mm	312x300x330	6U	267	330	312	10"	300	210	1	355x340x365	5,5	6	60	1100x1360x1950	390
LN-SBT-RMO-1U10-CC	1U 10" Shelf D=150mm	254x150x44	1U	44	-	-	10"	150		1	270x165x50	0,37	0,45	-	-	-
LN-KDG-YKD-05FC-CC	1/2U 10" Cable Management Panel brushed, for patchcord entry opening	254x12x22	1/2U	22	-	-	10"	12		1	265x20x50	0,07	0,11	-	-	-
LN-PNL-SPP-1U8P-CC	1U patch panel empty for RJ45 keystone jacks	254x12x44	1U	44	-	-	10"	12		1	265x20x50	0,27	0,31	-	-	-
LN-PRZ-ONF-1U3P-CC	1U 10" 3 way Power Stripe Module on/off Switched with cable and plug	254x100x44	1U	44	-	-	10"	100		1	270x165x50	0,60	0,70	-	-	-
LN-PNL-KPN-1U10-CC	1U 10" Blank Panel	254x12x44	1U	44	-	-	10"	12		1	265x20x50	0,09	0,13	-	-	-

* See min and max Adjustable depth variations on drawings

** CC= LG for Light Grey RAL 7035 & BL for Black RAL 9005 for customers to define while ordering, Standard stock is in RAL 7035 LG color, for Black RAL 9005 BL please coordinate with sales department

DOOR
OPTIONS



10" NETbox SOHO Network Cabinet W=312mm. D= 300mm.
FRONT DOOR Options

- 1 Single Opening, Flat Shape, Full Glass Front Door, Single Point Barrel Locking
- 2 Single Opening, Flat Shape, Complete Solid Metal Front Door, Single Point Barrel Locking

10" NETbox SOHO Network Cabinet W=312mm. D= 300mm.
REAR DOOR Options

- 1 NO Option, Factory Configured Rear Panels are included

10" NETbox SOHO Network Cabinet W=312mm. D= 300mm.
SIDE PANEL Options

- 1 NO Option, Factory Configured Side Panels are included

LN-AA

XXU

WW

DD

CC

000

LN Corporate codification beginning letters mentioning Lande in Short Format as LN

AA Family Group of Enclosure; FS for Free Standing cabinets, WM for Wall Mounting Cabinets, SH for Small office Home office Range, SR for Server enclosure Range, SL for Slim series, RS for Home series wall cabinets

XX Numeric Character defining the height of enclosures, depending on model differences between 12 to 45 to be selected from price list, website or catalogue

U U Height Alfanumeric Notation, concrete (non editable- fixed character)

WW The First 2 digits of the width info, 60 for W=600mm, 80 for W=800mm, 54 for W=540mm, 30 for W=300mm Soho 10" enclosure

DD The First 2 digits of the depth info, 45 for D=450mm, 40 for D=400mm, 60 for D=600mm, 80 for D=800mm, 10 for D=1000mm cabinets

CC Color Code, LG for Light Grey RAL 7035, BL for Black RAL 9005

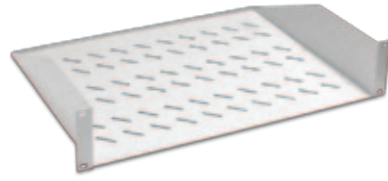
0 Front Door Variation number, numeric character 1 to 9 / 0 means no front door, standard front door defined in Lande System as option 1., Please select other variations if needed from above door selection drawing. Unless defined option 1 should be delivered

0 Rear Door Variation number, numeric character 1 to 9 / 0 means no rear door, standard rear door defined in Lande System as option 1., Please select other variations if needed from above door selection drawing. Unless defined option 1 should be delivered

0 Side Panel/Door Variation number, numeric character 1 to 9 / 0 means no side panel on product, standard side panel/door defined in Lande System as option 1. Unless defined option 1 should be delivered



19" and 10" NETbox SOHO Wall Mounting Cabinets Frequent Used Accessory Selection Chart



Frequent Used Accessories 19" and 10" NETbox SOHO Wall Mounting Cabinets Sizes w:width mm d:depth mm

	19" NETbox SOHO 540x300mm	19" NETbox SOHO 540x400mm	NETbox SOHO 10" w:312mm
Rack Mount Shelves	LN-RAF-RMO-1U20-CC	LN-RAF-RMO-1U20-CC LN-RAF-RMO-1U25-CC LN-RAF-RMO-1U30-CC	LN-SBT-RMO-1U10-CC

**CC is color code: please insert BL for Black and LG for Light Grey on the part numbers while creating order

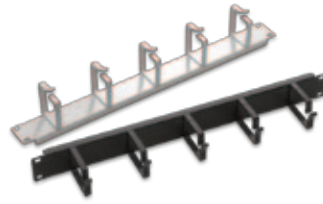


Frequent Used Accessories 19" and 10" NETbox SOHO Wall Mounting Cabinets Sizes w:width mm d:depth mm

	19" NETbox SOHO 540x300mm	19" NETbox SOHO 540x400mm	NETbox SOHO 10" w:312mm
1 fan Units on/off switched	LN-FAN-ONF-1FWM-CC	LN-FAN-ONF-1FWM-CC	-
1 fan Units with Thermostatic control Unit	LN-FAN-THM-1FWM-CC	LN-FAN-THM-1FWM-CC	-
2 fan Units on/off switched	LN-FAN-ONF-2FWM-CC	LN-FAN-ONF-2FWM-CC	-
2 fan Units with Thermostatic control Unit	LN-FAN-THM-2FWM-CC	LN-FAN-THM-2FWM-CC	-

**CC is color code: please insert BL for Black and LG for Light Grey on the part numbers while creating order

19" and 10" NETbox SOHO Wall Mounting Cabinets Frequent Used Accessory Selection Chart



Frequent Used Accessories 19" and 10" NETbox SOHO Wall Mounting Cabinets Sizes w:width mm d:depth mm			
	19" NETbox SOHO 540x300mm	19" NETbox SOHO 540x400mm	NETbox SOHO 10" w:312mm
Horizontal Cable Management Panel 19" 1U 5 rings	LN-KDG-YKD-1UKN-CC	LN-KDG-YKD-1UKN-CC	-

*CC is color code: please insert BL for Black and LG for Light Grey on the part numbers while creating order



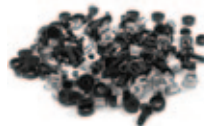
Frequent Used Accessories 19" and 10" NETbox SOHO Wall Mounting Cabinets Sizes w:width mm d:depth mm			
	19" NETbox SOHO 540x300mm	19" NETbox SOHO 540x400mm	NETbox SOHO 10" w:312mm
Caster Group 2 w/breaks 2 wo/breaks	LN-ZMN-TKR-5020-XX	LN-ZMN-TKR-5020-XX	-



Frequent Used Accessories 19" and 10" NETbox SOHO Wall Mounting Cabinets Sizes w:width mm d:depth mm			
	19" NETbox SOHO 540x300mm	19" NETbox SOHO 540x400mm	NETbox SOHO 10" w:312mm
PDU 6 way Schuko with 1x16A cct breaker	LN-PRZ-SGT-1U6P-SC	LN-PRZ-SGT-1U6P-SC	-



Frequent Used Accessories 19" and 10" NETbox SOHO Wall Mounting Cabinets Sizes w:width mm d:depth mm			
	19" NETbox SOHO 540x300mm	19" NETbox SOHO 540x400mm	NETbox SOHO 10" w:312mm
PDU Economic 6 way Schuko on/off switch	LN-PRZ-EKO-1U6P-SC	LN-PRZ-EKO-1U6P-SC	LN-PRZ-ONF-1U3P-SC



Frequent Used Accessories 19" and 10" NETbox SOHO Wall Mounting Cabinets Sizes w:width mm d:depth mm			
	19" NETbox SOHO 540x300mm	19" NETbox SOHO 540x400mm	NETbox SOHO 10" w:312mm
Mounting Hardware, Fixing M6 Cage nut set of 20	LN-DGR-KFS-M620-XX	LN-DGR-KFS-M620-XX	LN-DGR-KFS-M620-XX

NETbox HOME 19" Network Wall Mounting
C A B I N E T s



19" NETbox HOME Wall Mounting Cabinets F A M I L Y

NETbox HOME Residential Cabinet Features , Construction Details:

Monoblock U shaped construction provides better stability.

The NETbox Home Wall Mounting is for that situation where quick access to the equipment is of primary importance. It is designed to house 19" standard mounting devices.

The NETbox Home Wall Mounting cabinet offers a highly cost-effective and assembly-friendly solution for numerous applications in the field of network technology and electronics.

The NETbox Home Wall Mounting cabinet front door is integrated with decorative 2,5mm thickness aluminium extruded frames, full length smoked, shatterproof, antistatic, 4,0mm thickness glass with single point locking barrel lock. Aluminium extruded frame carries an Anthracite Grey PVC stripe charming the attraction in terms of aesthetic appearance.

The NETbox Home Wall Mounting cabinet because of the intent of decoratively fitting to environment of your living areas, the cabinet has been integrated with highly modern, art fragrant 0,5mm thickness PVC decoration on top and bottom provision of the glass door.

Includings:

*Complete with 2ea. 19" equipment mounting rail, with automated silk-screen U numbering, removable in depth

*Grounding studs are fixed on to main body and front door frame for grounding continuity, shipping configuration includes the yellow/green Grounding wires with nuts

*Reinforced 2,5mm thickness Aluminium extruded housing for glass door with left and right metal frames, lockable, removable Complete with barrel Locking system.

*Reversible front door left to right or reverse.

*Material thickness:1.2mm.

*8-12 micron zinc plated mounting rails t=1,5mm.

*Self locking type sturdy structure and rugged, monoblock frame.

*Multipurpose usage.

Passive Ventilation punched slot holes in front of top and bottom case.

Cable access

*Multiple cable entry points on top and bottom with 6 knock-out holes at 1" size and additional micro-joint break down cable entry hole at 452mm size for mass cable entry needs.



Width=600mm
Depth=150/300mm

Standard Heights:

3 different U heights:
06U, 09U, 12U

Load Capacity: 80 kgs.

Standards, and Compliances:



ISO 9001:2008
Quality Management System

EN 61587 -1:2012
Mechanical Structures for
Electronic Equipment

IEC 297-1, 19" mounting
IEC 297-2 Overall cabinet dimensions



CE conform to
EN 60950-1:2006
Information Technology
Equipment – Safety – Part-1-
General Requirements



Environment Friendly;
*Environmental awareness
*RoHS compliancy
*% 100 Recyclable
Material



NETbox Home series Wall Mounting Networking Enclosures, with 19" w:600mm and d:150/300mm physical sizes, with less depth need in environmentally fit especially for residential applications, and 3 different height, gives a wide selection chart for users.

All Lande NETbox Home Wall cabinets are being delivered as a

single piece pre-assembled enclosure, with standard factory settings.

For Decoratively fitting to environment of your living areas, the cabinet has been integrated with highly modern, art fragrant parts and accessories.

Standard Color:



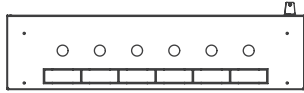
RAL 7035 Light Grey
(Stock Delivery)

Optional Color:

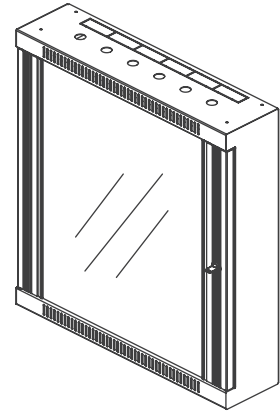


RAL 9005 Black

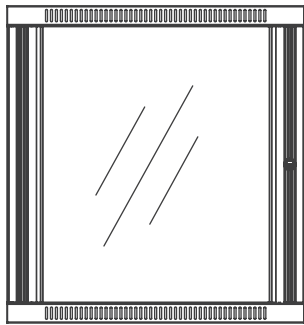
CONSTRUCTION
DRAWING



BOTTOM VIEW



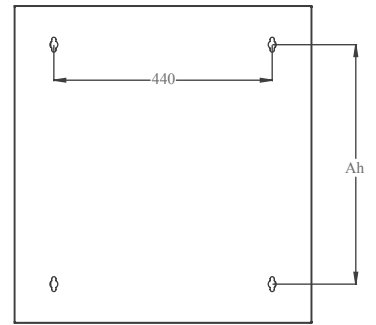
ISOMETRIC VIEW



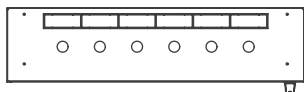
FRONT VIEW



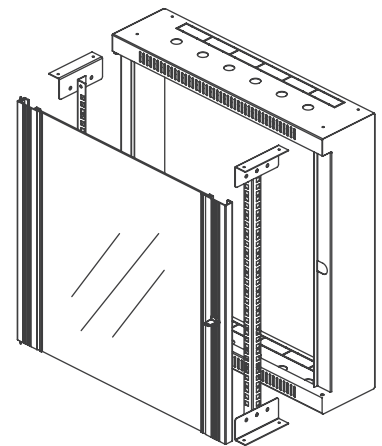
SIDE VIEW



REAR VIEW

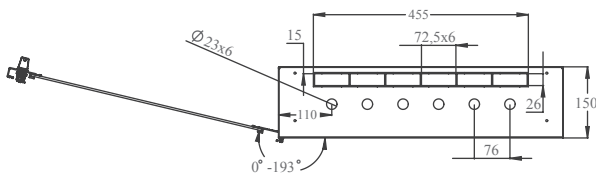


TOP VIEW

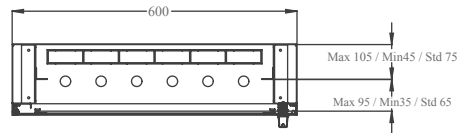


EXPLODED VIEW

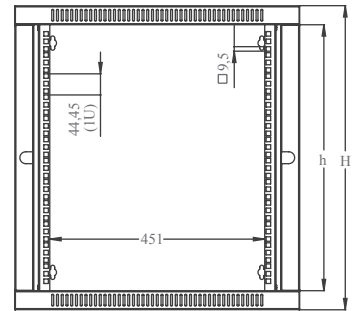
CONSTRUCTION
DRAWING



FRONT DOOR
OPENING ANGLE



MAX/STD/MIN
EQUIPMENT
MOUNTING DISTANCE



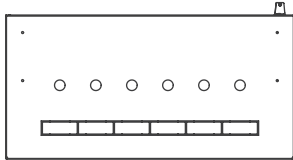
DIMENSIONS
IN
WIDTH AND HEIGHT

NETbox HOME Series Wall Mounting 19" Cabinets W=600mm D=150mm

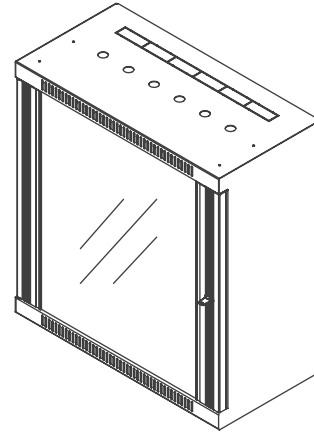
ROOT Product Number ***	Product Description	Size WxDxH mm	h size in U	h in mm	H mm, overall	Width Overall mm	Ah Wall Mounting h mm	Width Rail to Rail	Depth Overall mm	Depth Shipping Conf. Rail to Rear Panel mm	QTY IN PACKAGE	PACKING DIMENSIONS WxDxH mm	Standard NET Weight of product kgs	Gross Weight of Product kgs	QTY IN PALETTE	PALETTE DIMENSIONS WxDxH mm	Palette Weight kgs
LN-RS06U5415-LG	6U 19" Wall Mounting Cabinet W=600mm D=150mm	600x150x373	6U	266	373	600	215	19"	150	75	1	620x170x395	7,5	8,5	60	1000x1320x2460	535
LN-RS09U5415-LG	9U 19" Wall Mounting Cabinet W=600mm D=150mm	600x150x506	9U	400	506	600	349	19"	150	75	1	620x170x525	10	11	48	1000x1250x2160	548
LN-RS12U5415-LG	12U 19" Wall Mounting Cabinet W=600mm D=150mm	600x150x640	12U	533	640	600	482	19"	150	75	1	620x170x660	13	14,5	24	680x1250x2280	363

*** LG is Light Grey RAL 7035 Color for other color requirements please coordinate with sales department

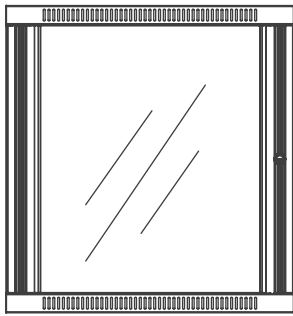
CONSTRUCTION
DRAWING



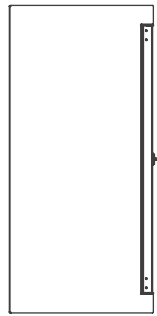
BOTTOM VIEW



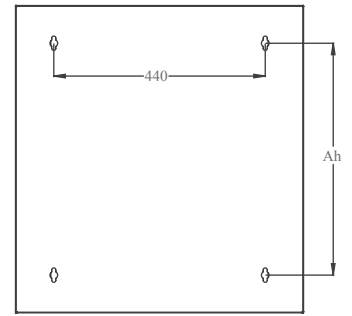
ISOMETRIC VIEW



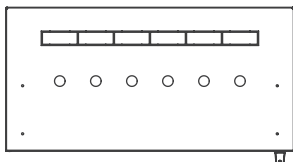
FRONT VIEW



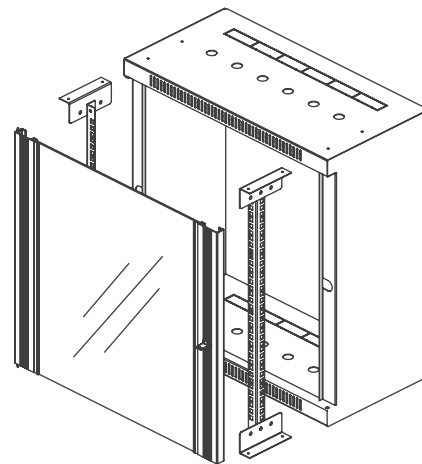
SIDE VIEW



REAR VIEW

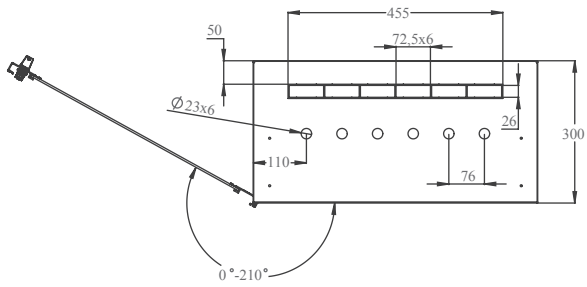


TOP VIEW

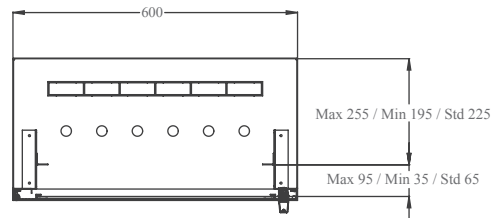


EXPLODED VIEW

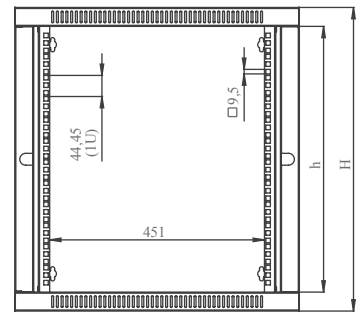
CONSTRUCTION
DRAWING



FRONT DOOR
OPENING ANGLE



MAX/STD/MIN
EQUIPMENT
MOUNTING DISTANCE



DIMENSIONS
IN
WIDTH AND HEIGHT

NETbox HOME Series Wall Mounting 19" Cabinets W=600mm D=300mm

ROOT Product Number ***	Product Description	Size WxDxH mm	h size in U	h in mm	H mm, overall	Width Overall mm	Ah Wall Mounting h mm	Width Rail to Rail mm	Depth Overall mm	Depth Shipping Conf. Rail to Rear Panel mm	QTY IN PACKAGE	PACKING DIMENSIONS WxDxH mm	Standard NET Weight of product kgs	Gross Weight of Product kgs	QTY IN PALETTE	PALETTE DIMENSIONS WxDxH mm	Palette Weight kgs
LN-RS06U5430-LG	6U 19" Wall Mounting Cabinet W=600mm D=300mm	600x300x373	6U	266	373	600	215	19"	300	225	1	600x320x395	10	11	36	1100x1320x2460	421
LN-RS09U5430-LG	9U 19" Wall Mounting Cabinet W=600mm D=300mm	600x300x506	9U	400	506	600	349	19"	300	225	1	600x320x525	13	14,5	28	1100x1250x2380	426
LN-RS12U5430-LG	12U 19" Wall Mounting Cabinet W=600mm D=300mm	600x300x640	12U	533	640	600	482	19"	300	225	1	600x320x660	16	18	14	680x1250x2430	267

*** LG is Light Grey RAL 7035 Color for other color requirements please coordinate with sales department.

NETbox SLIM 19" Network Wall Mounting C A B I N E T S



19" NETbox SLIM Wall Mounting Cabinets

3U + 5U : 8U

NETbox SLIM Wall Mounting Cabinet Features , Construction Details:

Monoblock construction provides better stability.

The NETbox SLIM Wall Mounting is for that situation where quick access to the equipment is of primary importance. It is designed to house 19" standard mounting devices, in environmentally fit needs especially in Residential applications and villas, modern and elegant offices, hotel reception and living areas

The NETbox SLIM Wall Mounting cabinet offers an assembly-friendly solutions for numerous applications in the field of network technology and electronics.

The 3U +5U :8U NETbox SLIM Wall Mounting cabinet Front door is splitted metal front door, with barrel lock on top and bottom. Alternatively single monoblock polycarbonate front door with single barrel locking unit.

Cable access

*Multiple knock-out cable entry points on top and bottom with 40x104mm size .

3U+5U=8 U version

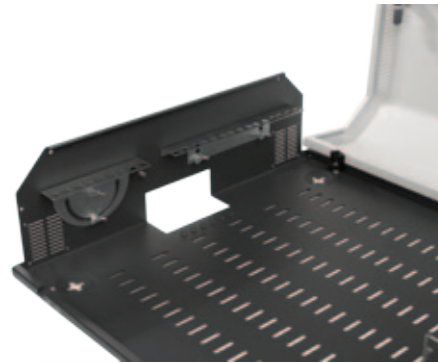
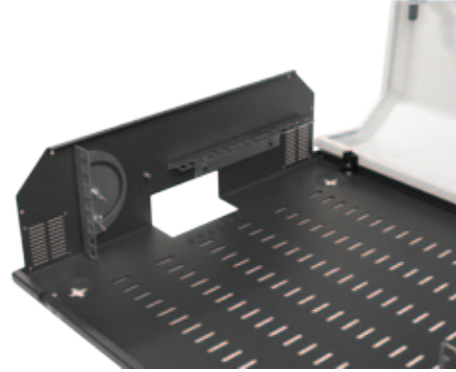
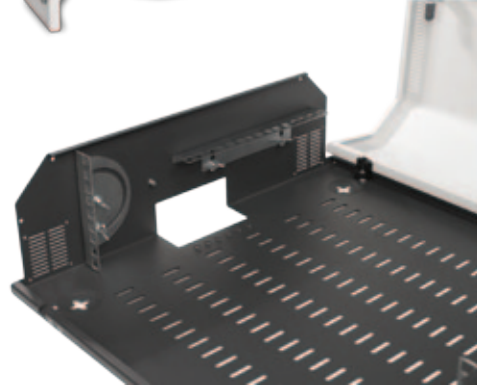
19" Rails have with multiple configuration inside the cabinet

3U 19" rails are reversible at 90 degree from vertical to horizontal position.

3U 19" rails are movable to connect to 5U 19" rails to create full length 8U long 19" rails.

5U 19" rails are sliding up down position on a 20mm sliding channel.

*** All 19" rails are connected to cabinet with wing nuts, which give advantage of toolless application at site works.



Width=520mm
Depth=480mm

Standard Heights:

2 Different U Heights: 3U + 5U : 8U
5U + 5U : 10U

Load Capacity: 30 kgs.

Standards, and Compliances:

**ISO 9001:2008**

Quality Management System

EN 61587 -1:2012
Mechanical Structures for
Electronic EquipmentIEC 297-1, 19" mounting
IEC 297-2 Overall cabinet dimensions**CE conform to**
EN 60950-1:2006
Information Technology
Equipment – Safety – Part-1-
General Requirements**Environment Friendly;**
*Environmental awareness
*RoHS compliancy
*% 100 Recyclable
Material

NETbox SLIM series Wall Mounting Networking Enclosures, with 19" w:520mm and d:480mm physical sizes, with less depth need in environmentally fit especially for residential applications and wide application of 19" usage.

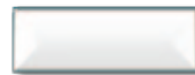
All Lande NETbox SLIM Wall cabinets are being delivered as a single piece pre-assembled enclosure, with standard factory

settings.

For Decoratively fitting to environment of your living areas, the cabinet has been integrated with highly modern, art fragrant parts and accessories.

For door and panel variations for different purpose of usage.

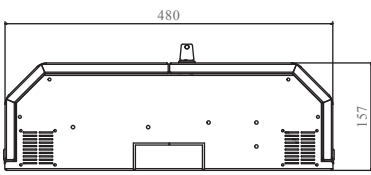
*** Please see door options on the part number selection chart in page 99.

Standard Color:
Front section:

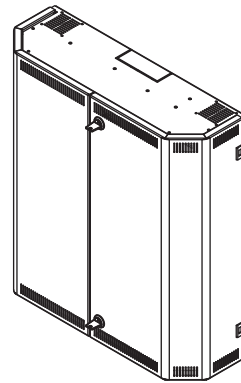
RAL 7035 Light Grey

Rear Section:RAL 7016 Antracite
Grey

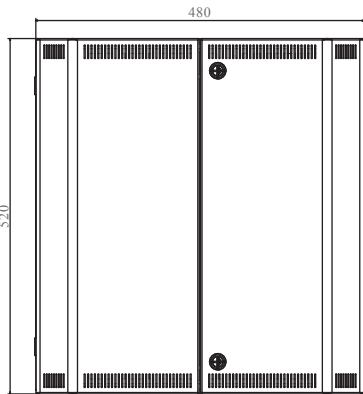
3U+5U: 8U
CONSTRUCTION
DRAWING



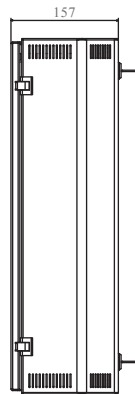
BOTTOM VIEW



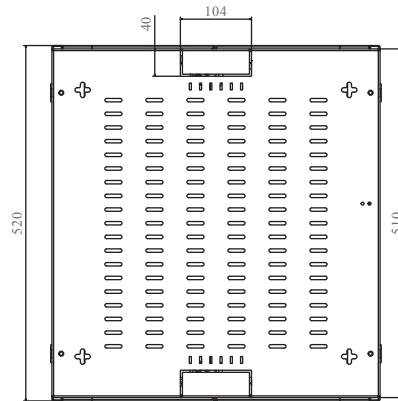
ISOMETRIC VIEW



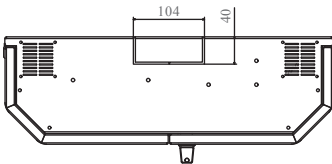
FRONT VIEW



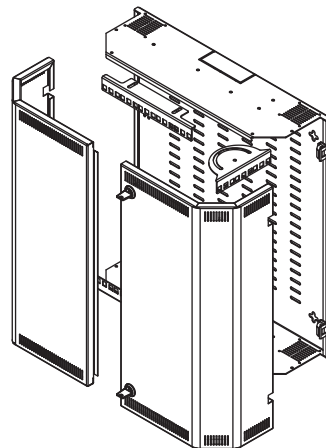
SIDE VIEW



REAR VIEW

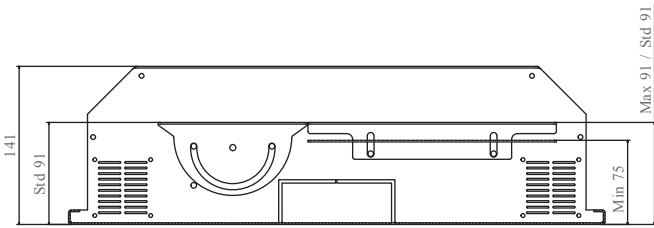


TOP VIEW

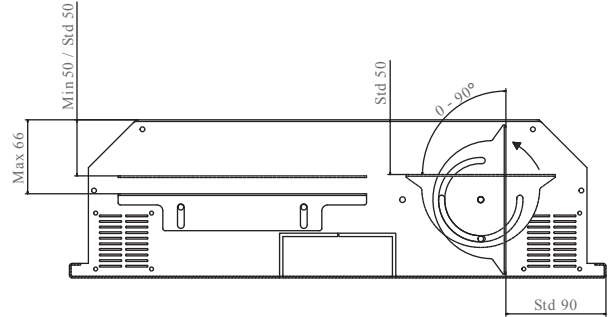


EXPLODED VIEW

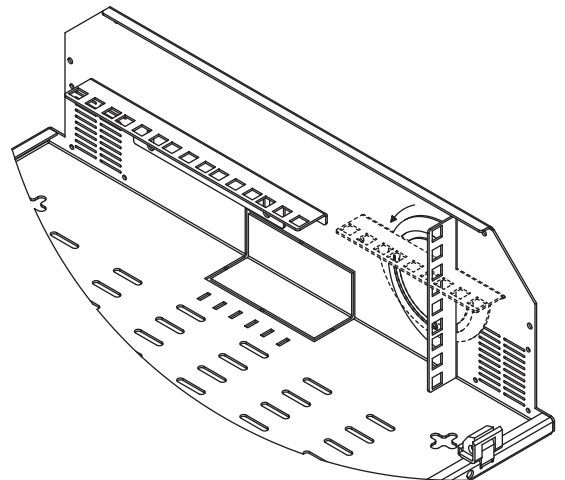
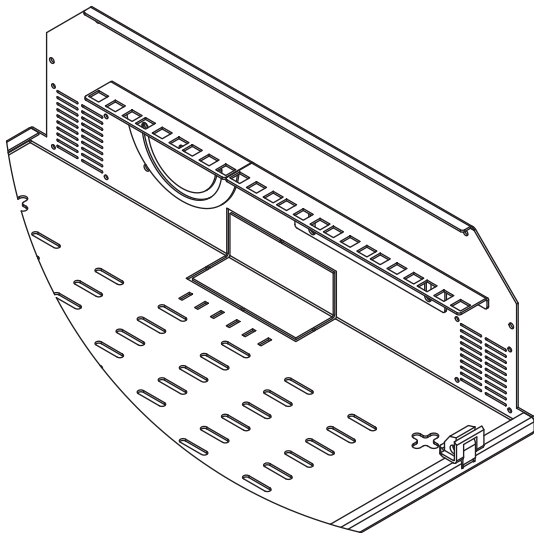
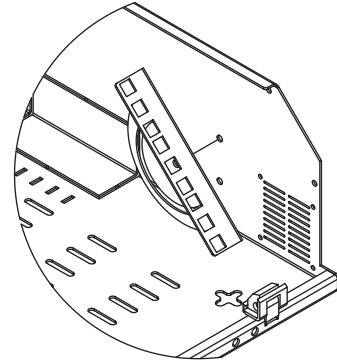
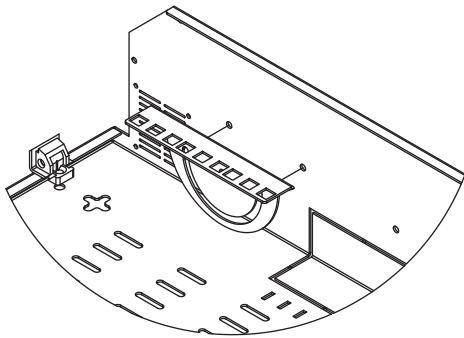
3U+5U: 8U
CONSTRUCTION
DRAWING



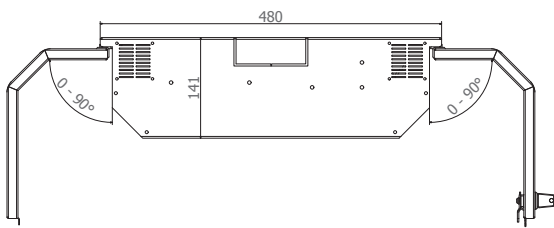
MAX / STD / MIN EQUIPMENT
MOUNTING DISTANCE



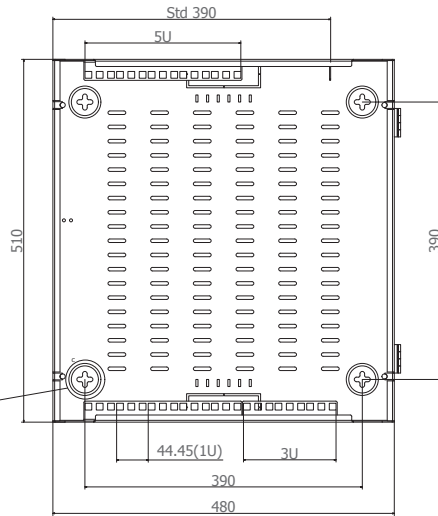
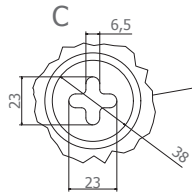
MAX / STD / MIN EQUIPMENT
MOUNTING DISTANCE



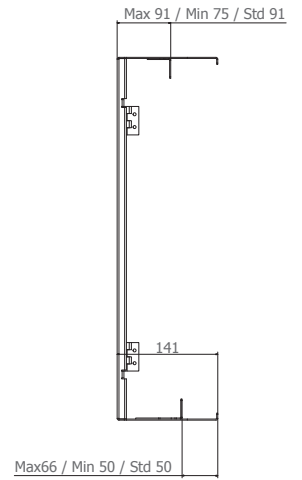
3U+5U: 8U
CONSTRUCTION
DRAWING



FRONT DOOR
OPENING ANGLE



MAX/STD/MIN
EQUIPMENT MOUNTING
DISTANCE



MAX/STD/MIN
EQUIPMENT MOUNTING
DISTANCE

NETbox SLIM Series Wall Mounting 19" Cabinets W=480mm D=520mm

ROOT Product Number	Product Description	Size WxDxH mm	h size in U	Width Overall mm	Width Rail to Rail	Depth Overall mm	QTY IN PACKAGE	PACKING DIMENSIONS WxDxH mm	Standard NET Weight of product kgs	Gross Weight of Product kgs	QTY IN PALETTE	PALETTE DIMENSIONS WxDxH mm	Palette Weight kgs
LN-SLM08U4944-MD	NETbox Slim Series Wall Mounting Cabinet, 3U + 5U total 8U usage, 3U frontal vertical 19" rails are rotatable to horizontal assembly, Vertical or Horizontal equipment mounting possibility, 5U passive equipment mounting section, RAL 7016 / RAL 7035 Combination, Solid Metal Double Front door	480x160x522	3U+5U	480	19"	522	1	500x180x540	8,3	9,1	32	1300x1300x1280	340
LN-SLM08U4944-PD	NETbox Slim Series Wall Mounting Cabinet, 3U + 5U total 8U usage, 3U frontal vertical 19" rails are rotatable to horizontal assembly, Vertical or Horizontal equipment mounting possibility, 5U passive equipment mounting section, RAL 7016 / RAL 7035 Combination, Polycarbonate Single Front Door	480x150x522	3U+5U	480	19"	522	1	500x180x540	6,9	7,7	32	1300x1300x1280	295

19" NETbox SLIM Wall Mounting Cabinets

5U + 5U: 10U

NETbox SLIM Wall Mounting Cabinet Features , Construction Details:

Monoblock construction provides better stability.

The NETbox SLIM Wall Mounting is for that situation where quick access to the equipment is of primary importance. It is designed to house 19" standard mounting devices, in environmentally fit needs especially in Residential applications and villas, modern and elegant offices, hotel reception and living areas

The NETbox SLIM Wall Mounting cabinet offers an assembly-friendly solutions for numerous applications in the field of network technology and electronics.

The 5U +5U :10U NETbox SLIM Wall Mounting cabinet Front door is splitted metal front door, with barrel lock on top and bottom.

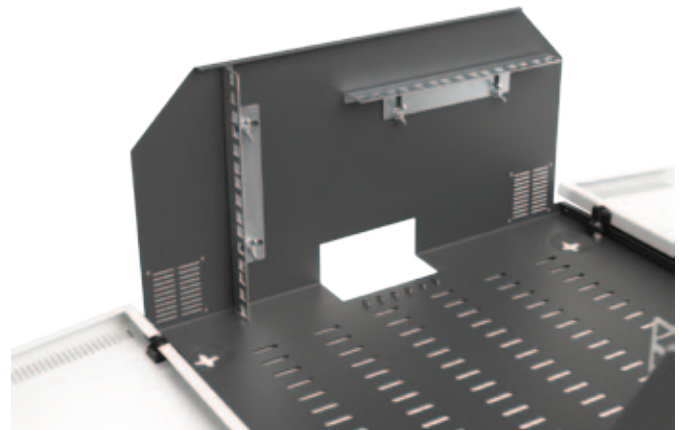
Cable access

*Multiple knock-out cable entry points on top and bottom with 40x104mm size and 2 pcs knock-out cable entry points 40x104mm at rear side.

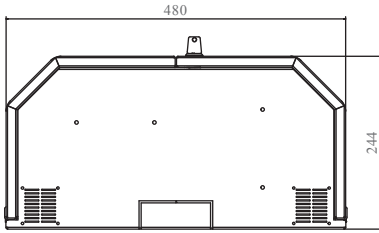
5U+5U=10 U version

19" Rails are horizontal and vertical configuration on the cabinet, 5U horizontal - 5U vertical. 19" rails are sliding at a channel of 20mm.

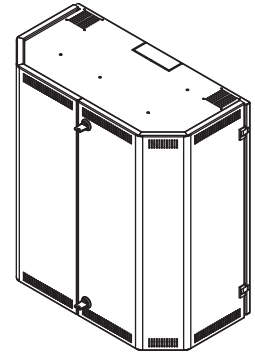
*** All 19" rails are connected to cabinet with wing nuts, which gives advantage of toolless application at site works.



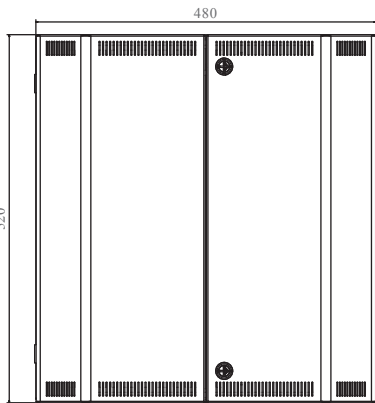
5U+5U: 10U
CONSTRUCTION
DRAWING



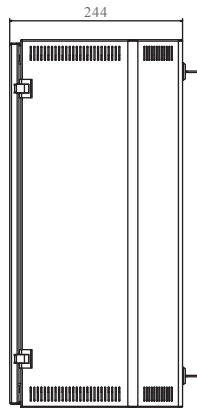
BOTTOM VIEW



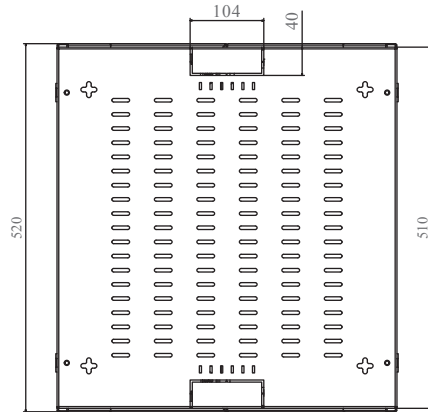
ISOMETRIC VIEW



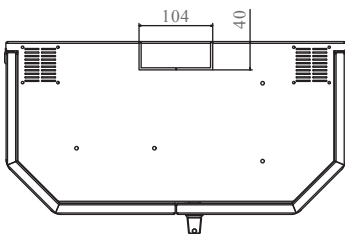
FRONT VIEW



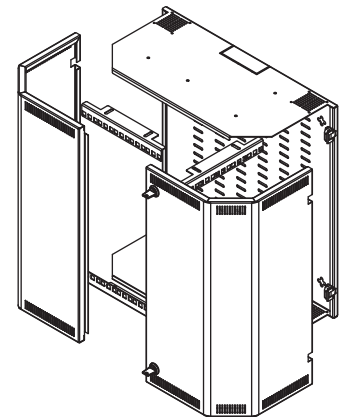
SIDE VIEW



REAR VIEW

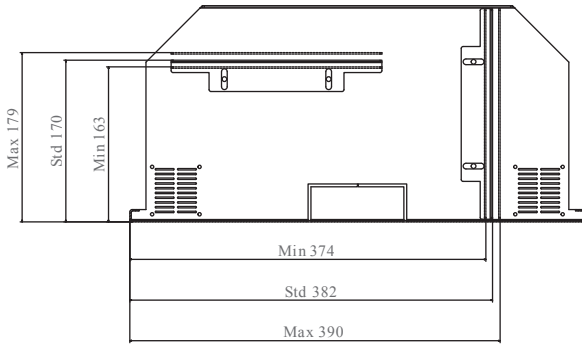


TOP VIEW

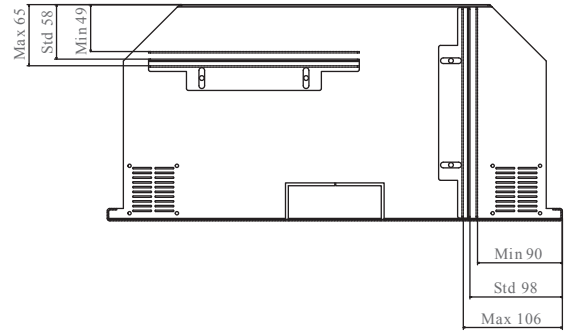


EXPLODED VIEW

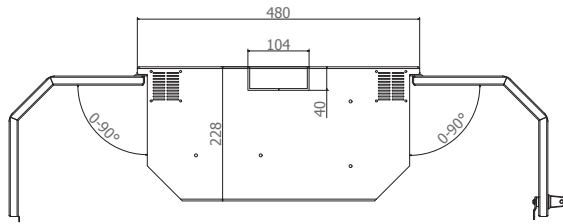
5U+5U: 10U
CONSTRUCTION
DRAWING



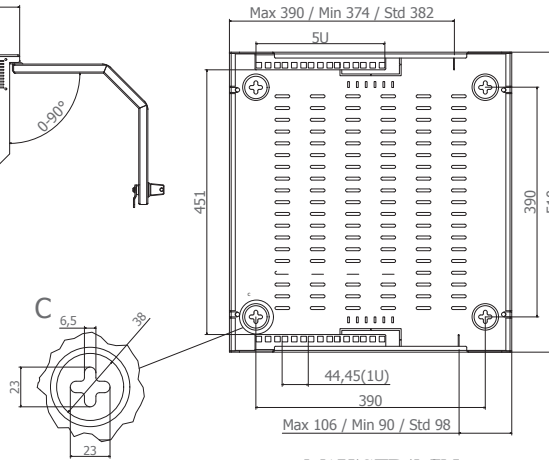
MAX/ STD / MIN EQUIPMENT MOUNTING DISTANCE



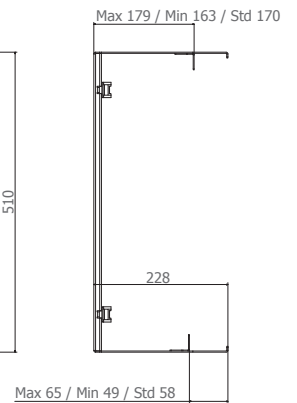
MAX/ STD / MIN EQUIPMENT MOUNTING DISTANCE



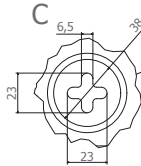
FRONT DOOR OPENING ANGLE



MAX/STD/ MIN EQUIPMENT MOUNTING DISTANCE



MAX/STD/ MIN EQUIPMENT MOUNTING DISTANCE



NETbox SLIM Series Wall Mounting 19" Cabinets W=480mm D=520mm

ROOT Product Number	Product Description	Size WxDxH mm	h size in U	Width Overall mm	Width Rail to mm	Depth Overall mm	QTY IN PACKAGE	PACKING DIMENSIONS WxDxH mm	Standard NET Weight of product kgs	Gross Weight of Product kgs	QTY IN PALETTE	PALETTE DIMENSIONS WxDxH mm	Palette Weight kgs
LN-SLM10U4944-MD	NETbox Slim Series Wall Mounting Cabinet, 5U + 5U total 10U usage, Vertical or Horizontal equipment mounting possibility, 5U passive equipment mounting section, RAL 7016 / RAL 7035 Combination, Solid Metal Double Front door	480x250x522	5U+5U	480	19"	522	1	500x270x540	9,9	10,7	20	1300x1300x1280	265

Experienta e
mama invataturii.

Experience
is the mother of
knowledge.

Romanian Proverb



19" DYNAmax Free Standing Server C A B I N E T s



19" DYNAmax Free Standing Server Cabinets F A M I L Y

W=600mm and W=800mm DYNAmax Series Free Standing Server Cabinets

DYNAmax series Servering Enclosures, provide a proper environment for the server and storage equipments with professional ventilation structure as well the heavy duty construction to house the heavy loads of servering equipments.

While product gives maximum performance on servering infrastructure, in parallel provides a very respective economy compared to its quality which is based on high technologic fully automated industry.

The 600 series is available in 5 heights from 12U through to 45U, The 800 series is available with 2 different height of 42U and 45U. Each cabinet is supplied as standard with a %63 perforated curved metal front door, and %63 perforated split (wardrobe style) steel rear door and lift off steel side panels, all of which are lockable.

The wide product height portfolio meets any U requirement in infrastructure needs.

DYNAmax series have a professional technical but aesthetic look with decorative curved %63 perforated front door, the product range attracts the attention with the mostly environmentally fit and selected color of RAL 9005 Black, and RAL 7035 Light Grey, with fine wrinkle soft touch paint.

Completely standard and stocked product portfolio, being delivered a single piece assembled product, as shipping configuration the adjustable feet group and caster set is included.

DYNAmax Series product range with optimal panel mounting size, and a variety range of accessories enclose the whole expectation of users.



CONSTRUCTION DETAILS:

Main Profile- Framework- Top/Bottom Cases:
Multi Folded Automated Bending technology applied corner closed profile system, provides a heavy duty structure results to high load capacity of: 1000 kgs dynamic load.

Monoblock multi folded top and bottom cases, tightly fixed to the framework with fixing hardware , fully modular system generated.

Top case has a ready Forced Ventilation (Fan Module) integration housing.

Fan Module installation is from roof where the roof perforated pattern to be removed first.

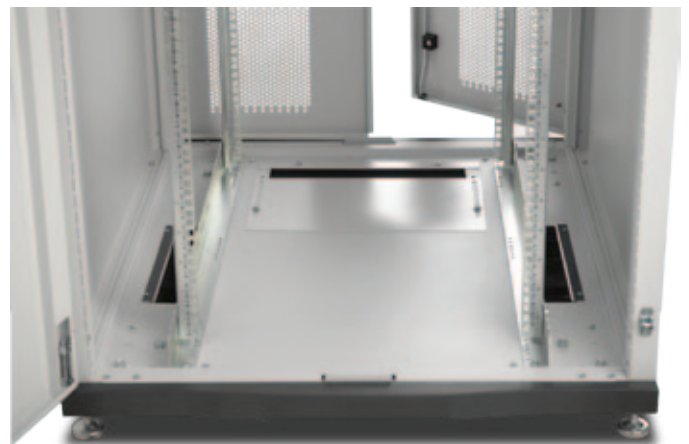
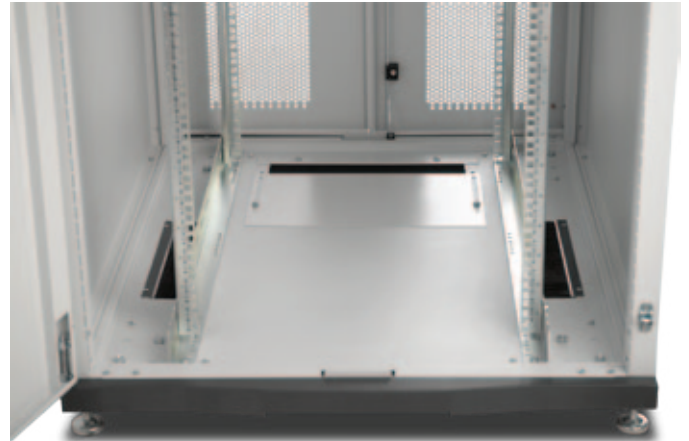
The advantage of this system is, once the Fan Unit needs maintenance or replacement and while the cabinet is carrying integrated active and passive devices, than no need to remove some of them to replace the Fan Module Unit. Lande Server Cabinet Fan Module Unit access is from roof where no interference with the already installed components inside cabinets.

Bottom case integrated with Wide cable entry point provides maximum versatility. The rubber edged sliding mechanism on the cable entry point at bottom with $w=350\text{mm} \times d=250\text{mm}$ allows large cabling infrastructure applications. On rubber edged sliding mechanism max cable entry opening is $w=350\text{mm} \times d=150\text{mm}$. After inserting the cables, the rubber edged mechanism holds and fixes the cables in parallel preventing the cabinet from dust entry.

W800mm segment bottom case , there is also $60 \times 300\text{mm}$ 2 pcs brushed cable entry points at sides are available.

Top case integrated with Wide cable entry point provides maximum versatility. The rubber edged sliding mechanism on the cable entry point at bottom with $w=175\text{mm} \times d=250\text{mm}$ allows large cabling infrastructure applications. On rubber edged sliding mechanism max cable entry opening is $w=175\text{mm} \times d=150\text{mm}$. After inserting the cables, the rubber edged mechanism holds and fixes the cables in parallel preventing the cabinet from dust entry.

W800mm segment top case , there is also $60 \times 300\text{mm}$ 2 pcs brushed cable entry points at sides are available.



CONSTRUCTION DETAILS:

Access to enclosure:

Front door monoblock %63 perforated curved welded structure with four point locking handled lock.

Curved Front Door with RAL 7035 Light Grey and RAL 9005 Black Colors charming the attraction in terms of visual appearance.

Front door opening direction is set right to left, but reversible to left to right at site with removing the hinge system. Hinge System is spring loaded easy operating version, which allows you to remove the whole front door from cabinet in seconds.

Alternative doors and panels are available for customer selection. Please see page 114, 120.

**12U 600x1000mm Underdesk Usage Mini Server Cabinet has single curved %63 perforated metal front door with single point handled locking system

Side Panels are lockable and removable with barrel style lock, Multifolded bending technology with 8 fold bending provides the rigidity. Easy mechanical locking of panel to main frame with snap capture system allows easy attachment of panels and easy removal in seconds while installation in process.

For easy handling in the installation process, the side panels are splitted in to 2 parts horizontally, for 36U and higher sizes. In 12U underdesk server cabinet segment and 26U size has single piece side panel as a conventional approach where the weight of side panel is illegible compared to 36U and higher sizes.

Rear Doors are in standard % 63 perforated Split rear door, with handled locking 3 point locking system.

**12U 600x1000mm Underdesk Usage Mini Server Cabinet has single flat %63 perforated metal rear door with single point handled locking system

Multifolded bending technology with 8 fold bending provides the rigidity in rear doors.

Incase of more mechanical and functional needs as a hinged rear door, there are various design and functionality on the created selection charts, please find them for each product size rear door options at page 114, 120.

All design features provide 4 way access to your enclosure and equipments, easy to reach to enclosure and equipments for all infrastructure installations and maintenance needs.



19" DYNAmax Free Standing Server Cabinets F A M I L Y

CONSTRUCTION DETAILS:

19" rails of Lande DYNAmax Series Free Standing Server cabinets are with automated silk-screen U numbering, depends on size 1U to 45U, from top to bottom or bottom to top results to same U height selection. No matter where you have started counting from 19" rails are 4 fold bending surfaces, 2,0 mm thickness provides the high load capacities. The 19" rails are made of steel with 8-12 micron zinc plating for corrosion resistance. 19" rails are adjustable in depth. For easy adjustment purpose, no need to detach the screws, just ease the screws and slide them in the channels on the top/bottom chassis bends.



Side Horizontal Support Bar in depth;

W600mm segment

12U and 26U 600x1000 has 2 left- 2 right Z side support bars.

36U 600x1000 has 3 left- 3 right Z side support bars

42U and 45U 600x1000 has 4 left – 4 right Z side support bars

W800mm segment

42U and 45U 800x1000 has 4 left and 4 right side support

bars L and Z shaped.

All side support bars are 2,0mm thickness material with 8-12 micron zinc plating



F A M I L Y

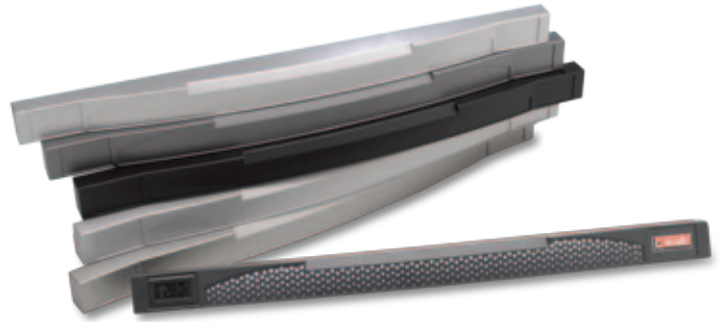
ADDITIONAL FEATURES:

DYNAmax Series Free Standing Server cabinets has a Decorative header unit, where has a placement of art designs, and logo.



DYNAmax Series Free Standing Server Cabinets has a decorative header unit. For volume orders or projects, please coordinate with sales department to select any other color application than Anthracite Grey and Black colors in standard offer of Lande.

Your company corporate colors are applicable!



DYNAmax Series Free Standing Server Cabinets in shipping configuration supplied with heavy duty caster group , as well 4 pcs as a set of Leveling Feet Group which is heavy duty 75mm height metal housing rubber feet



Width=600mm
Depth=1000mm

Standard Heights:

5 Different U Heights:
12U, 26U, 36U, 42U, 45U

Standards, and Compliances:



ISO 9001:2008
Quality Management System

EN 61587 -1:2012
Mechanical Structures for
Electronic Equipment

IEC 297-1, 19" mounting
IEC 297-2 Overall cabinet dimensions



CE conform to
EN 60950-1:2006
Information Technology
Equipment – Safety – Part-1-
General Requirements



Environment Friendly;
*Environmental awareness
*RoHS compliancy
*% 100 Recyclable
Material

Load Capacity: 1000 kgs.



DYNAmax series Server Enclosures, with 19" w:600mm and d:1000mm physical sizes, with max internal usable depth, and 5 different height, gives a wide selection chart for users

*** Please see door options in page 114.

* 12U 600x1000mm Underdesk Usage Mini Server Cabinet has single curved %63 perforated metal front door with single point handled locking, and single flat %63 perforated metal rear door with single point handled locking, as a standard feature
** 36 U and above sizes has split side panels horizontally, 12U and 26U sizes has single side (not splitted horizontally) panels

Standard Color:



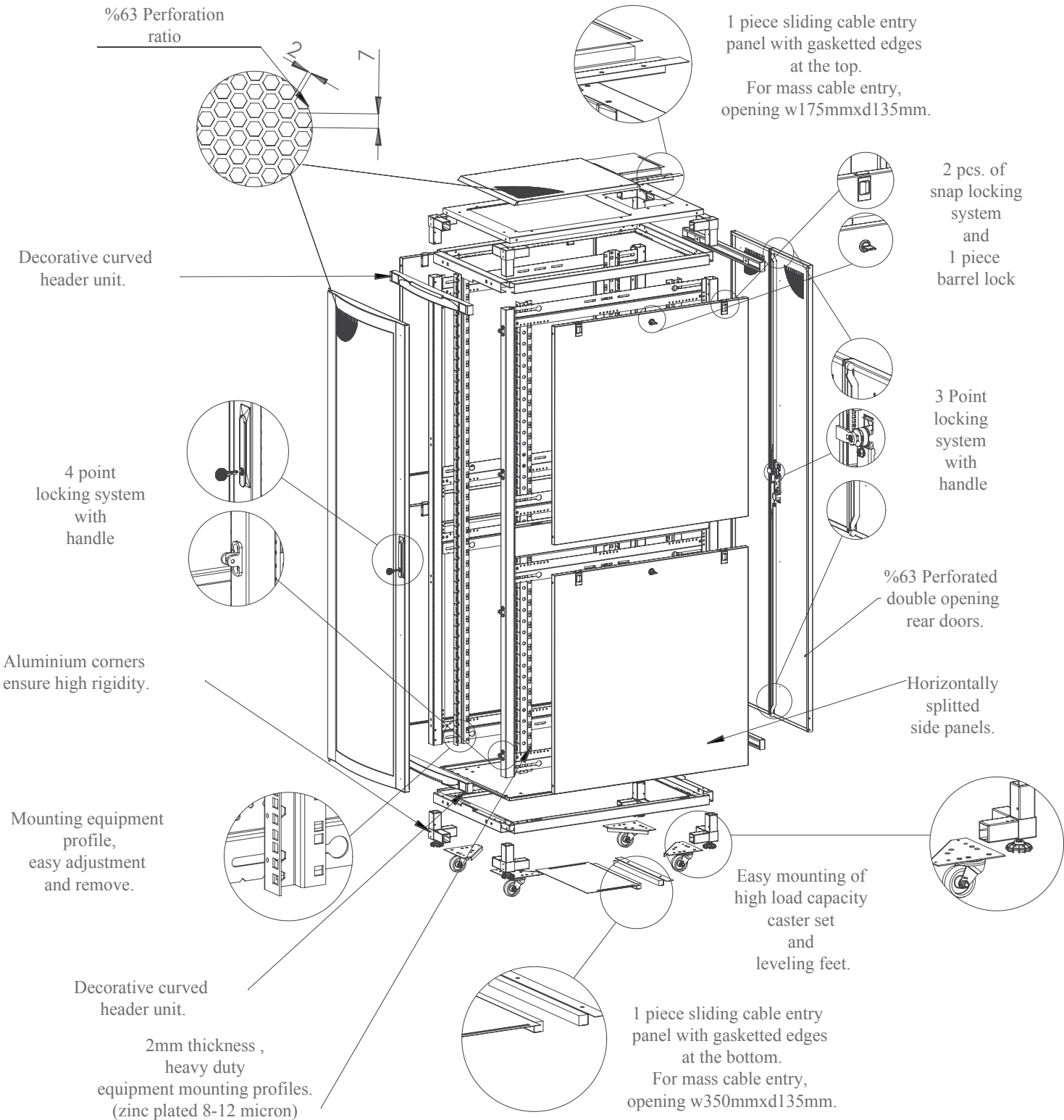
RAL 7035 Light Grey



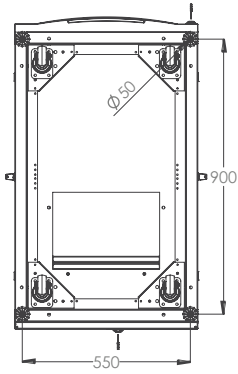
RAL 9005 Black



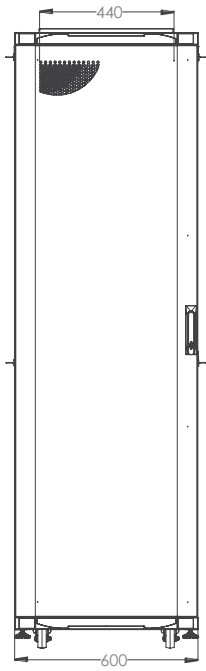
DETAILS ON
EXPLODED
VIEW



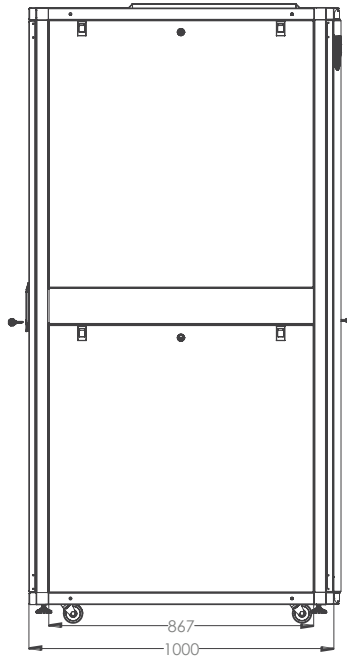
CONSTRUCTION
DRAWING



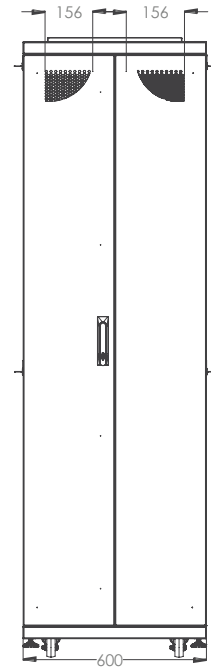
BOTTOM VIEW



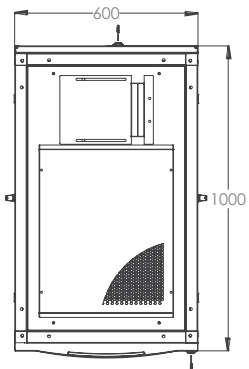
FRONT VIEW



SIDE VIEW

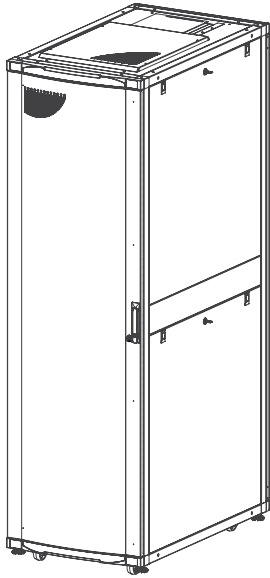


REAR VIEW

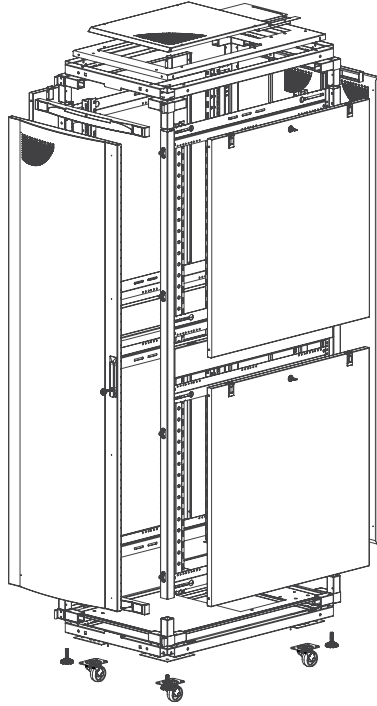


TOP VIEW

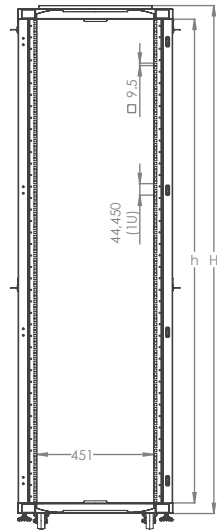
CONSTRUCTION
DRAWING



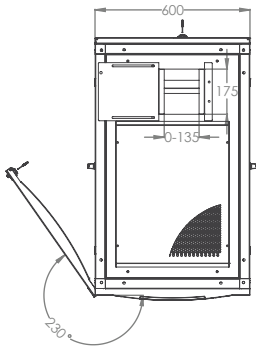
ISOMETRIC VIEW



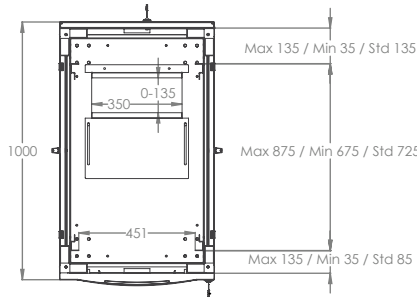
EXPLODED VIEW



DIMENSIONS IN
WIDTH AND HEIGHT



FRONT DOOR
OPENING ANGLE



MAX/STD/MIN
EQUIPMENT MOUNTING DISTANCE

DYNAmax Series Free Standing 19" Server Cabinets W=600mm D=1000mm

ROOT Product Number ***	Product Description	Size WxDxH mm	h size in U	h in mm	*H mm, overall without feet and/or castor	Width Overall mm	Width Rail to Rail	Depth Overall mm	**Depth Shipping Conf. Rail to Rail mm	QTY IN PACKAGE	PACKING DIMENSIONS WxDxH mm	Standard NET Weight of product kgs	Gross Weight of Product kgs	QTY IN PALETTE	PALETTE DIMENSIONS WxDxH mm	Palette Weight kgs
LN-SR12U6010-CC-111	12U 19" Free Standing Server Cabinet W=600mm D=1000mm	600x1000x640	12U	533	640	600	19"	1000	720	1	680x1080x850	32,4	46	2	680x1080x1700	92
LN-SR26U6010-CC-111	26U 19" Free Standing Server Cabinet W=600mm D=1000mm	600x1000x1260	26U	1156	1260	600	19"	1000	720	1	680x1080x1400	70	84	1	680x1080x1400	84
LN-SR36U6010-CC-111	36U 19" Free Standing Server Cabinet W=600mm D=1000mm	600x1000x1705	36U	1600	1705	600	19"	1000	720	1	680x1080x1845	97,2	111	1	680x1080x1845	111
LN-SR42U6010-CC-111	42U 19" Free Standing Server Cabinet W=600mm D=1000mm	600x1000x1970	42U	1867	1970	600	19"	1000	720	1	680x1080x2100	114	131	1	680x1080x2100	131
LN-SR45U6010-CC-111	45U 19" Free Standing Server Cabinet W=600mm D=1000mm	600x1000x2105	45U	2000	2105	600	19"	1000	720	1	680x1080x2245	121	138	1	680x1080x2245	138

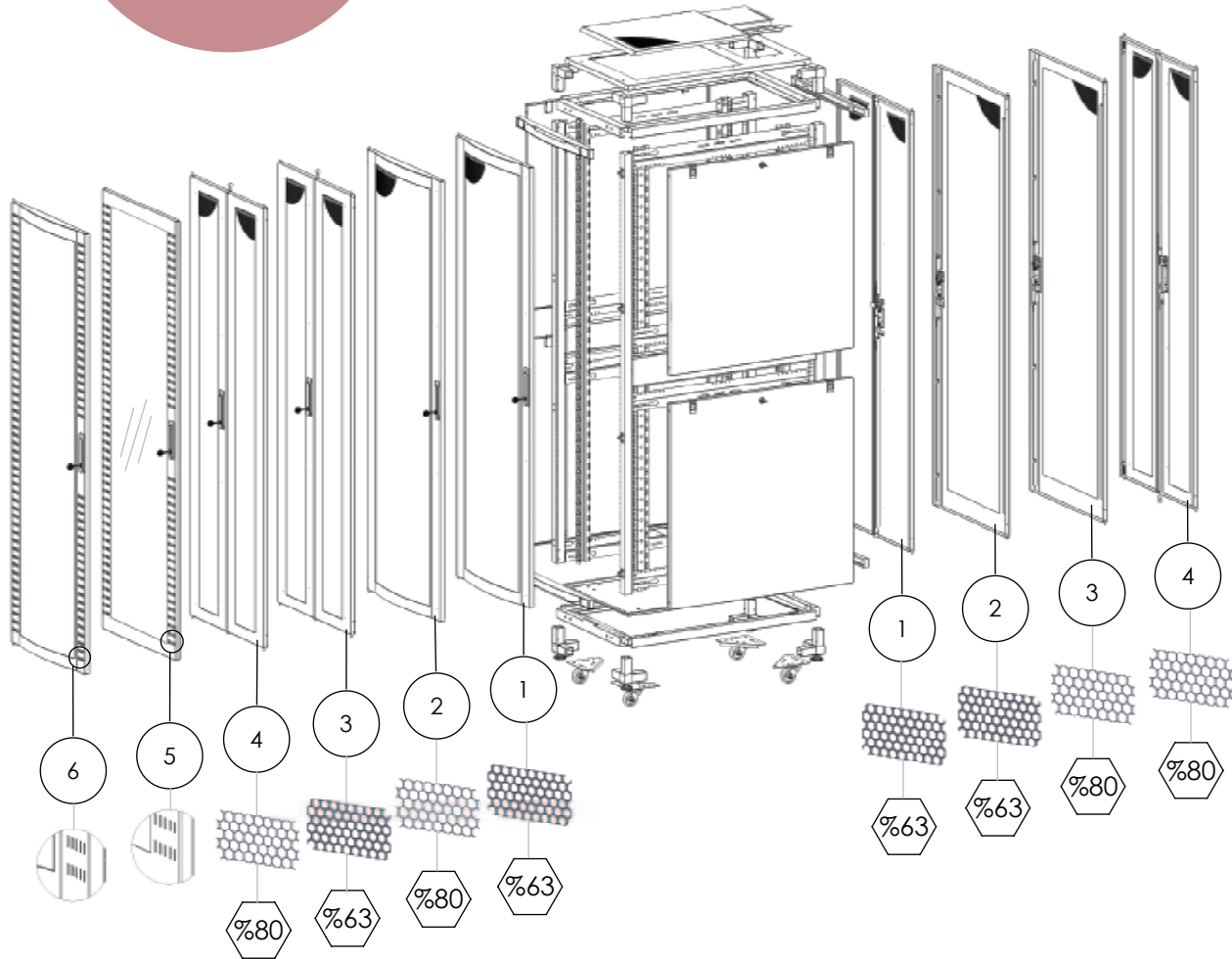
* Please add 80mm to H mm for combined castor and leveling feet for shipping configuration.

** See min and max Adjustable depth variations on drawings.

***CC= LG for Light Grey RAL 7035 & BL for Black RAL 9005 for customers to define while ordering, for "111" selection please see the door options.



DOOR
OPTIONS



DYNAmax Server Cabinet W=600mm D=1000mm
All Heights FRONT DOOR Options

- 0 Without front Door
- 1 Single Opening, Curved Shape, Complete Framed %63 perforated, Solid Metal Front Door, 4 Point Handled Locking
- 2 Single Opening, Curved Shape, Complete Framed %80 perforated, Solid Metal Front Door, 4 Point Handled Locking
- 3 Double Opening, Flat Shape, Complete Framed %63 perforated, Solid Metal Front Door, 3 Point Handled Locking
- 4 Double Opening, Flat Shape, Complete Framed %80 perforated, Solid Metal Front Door, 3 Point Handled Locking
- 5 Single Opening, Flat Shape, Complete Framed Glass Center Ventilation Slotted pattern on frame, Solid Metal Front Door, 4 Point Handled Locking
- 6 Single Opening, Curved Shape, Complete Framed Plexi-glass Center Ventilation Slotted pattern on frame, Solid Metal Front Door, 4 Point Handled Locking

DYNAmax Server Cabinet W=600mm D=1000mm
All Heights REAR DOOR Options

- 0 Without Rear Door
- 1 Double Opening, Flat Shape, Complete Framed %63 perforated, Solid Metal Rear Door, 3 Point Handled Locking
- 2 Single Opening, Flat Shape, Complete Framed %63 perforated, Solid Metal Rear Door, 4 Point Handled Locking
- 3 Single Opening, Flat Shape, Complete Framed %80 perforated, Solid Metal Rear Door, 4 Point Handled Locking
- 4 Double Opening, Flat Shape, Complete Framed %80 perforated, Solid Metal Rear Door, 3 Point Handled Locking

DYNAmax Server Cabinet
W=600 D=1000mm All Heights
SIDE PANEL Options

- 0 No Side Panel On product
- 1 Two Side Panels, left / right included in shipping configuration
- 2 One Side Panel Only on Left Side
- 3 One Side Panel Only on Right Side

*** 12U 600x1000mm Underdesk Usage Mini Server Cabinet has single curved %63 perforated metal front door with single point handled locking, and single flat %63 perforated metal rear door with single point handled locking, as a standard feature

LN-AA

XXU

WW

DD

CC

LN Corporate codification beginning letters mentioning Lande in Short Format as LN

AA Family Group of Enclosure; FS for Free Standing cabinets, WM for Wall Mounting Cabinets, SH for Small office Home office Range, SR for Server enclosure Range, SL for Slim series, RS for Home series wall cabinets

XX Numeric Character defining the height of enclosures, depending on model differences between 12 to 45 to be selected from price list, website or catalogue

U U Height Alphanumeric Notation, concrete (non editable- fixed character)

WW The First 2 digits of the width info, 60 for W=600mm, 80 for W=800mm, 54 for W=540mm, 30 for W=300mm Soho 10" enclosure

DD The First 2 digits of the depth info, 45 for D=450mm, 40 for D=400mm, 60 for D=600mm, 80 for D=800mm, 10 for D=1000mm cabinets

CC Color Code, LG for Light Grey RAL 7035, BL for Black RAL 9005

000

0 Front Door Variation number, numeric character 1 to 9 / 0 means no front door, standard front door defined in Lande System as option 1., Please select other variations if needed from above door selection drawing. Unless defined option 1 should be delivered

0 Rear Door Variation number, numeric character 1 to 9 / 0 means no rear door, standard rear door defined in Lande System as option 1., Please select other variations if needed from above door selection drawing. Unless defined option 1 should be delivered

0 Side Panel/Door Variation number, numeric character 1 to 9 / 0 means no side panel on product, standard side panel/door defined in Lande System as option 1. Unless defined option 1 should be delivered



Width=800mm
Depth=1000mm

Standard Heights:

2 Different U Heights:
42U, 45U

Standards, and Compliances:



ISO 9001:2008
Quality Management System

EN 61587 -1:2012
Mechanical Structures for
Electronic Equipment

IEC 297-1, 19" mounting
IEC 297-2 Overall cabinet dimensions



CE conform to
EN 60950-1:2006
Information Technology
Equipment – Safety – Part-1-
General Requirements



Environment Friendly;
*Environmental awareness
*RoHS compliancy
*% 100 Recyclable
Material

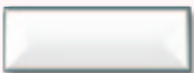
Load Capacity: 1000 kgs.



DYNAmax series Server Enclosures, with 19" w:800mm and d:1000mm physical sizes, with max internal usable depth, and 2 different height,

*** Please see door options in page 120

Standard Color:

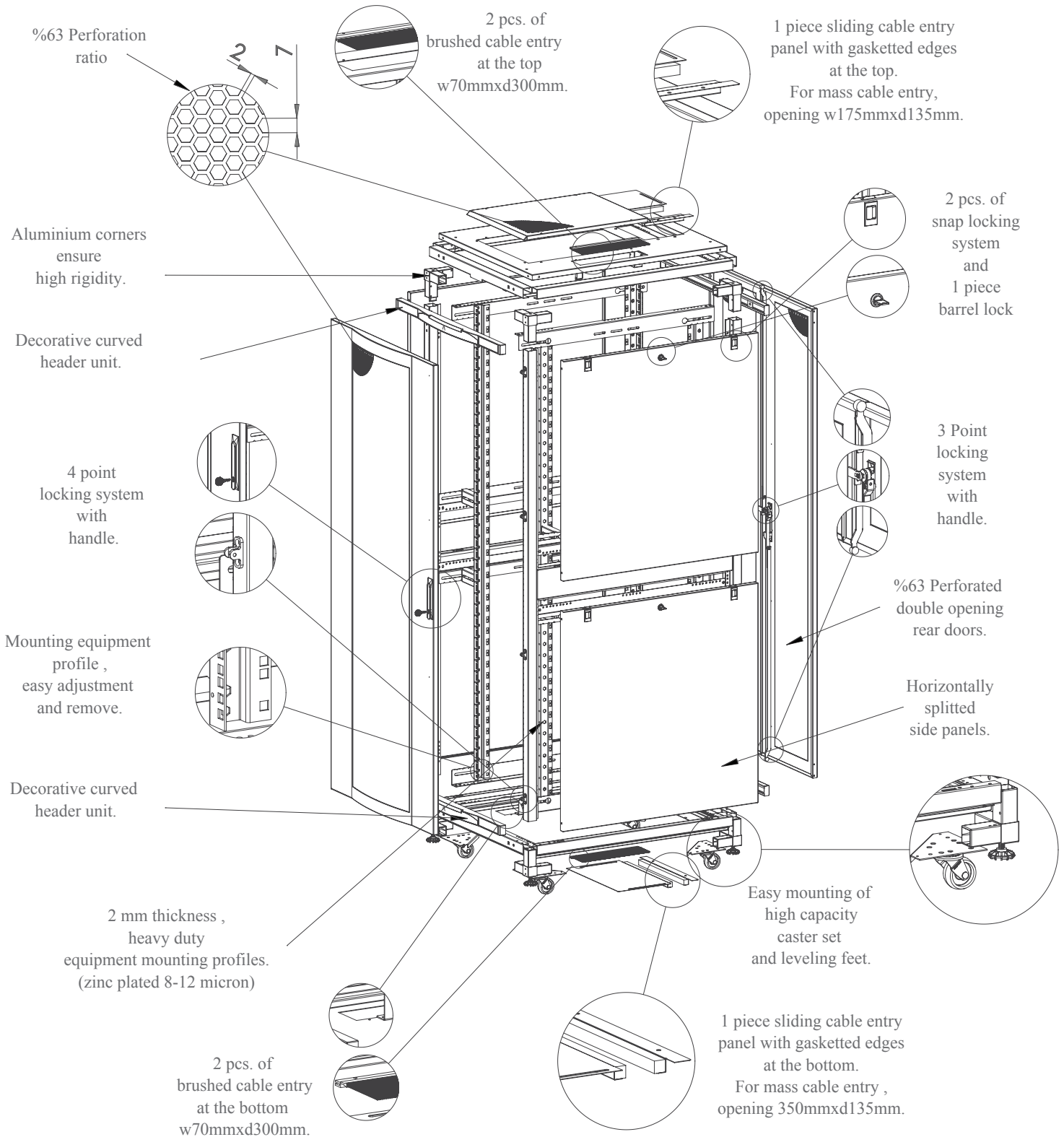


RAL 7035 Light Grey

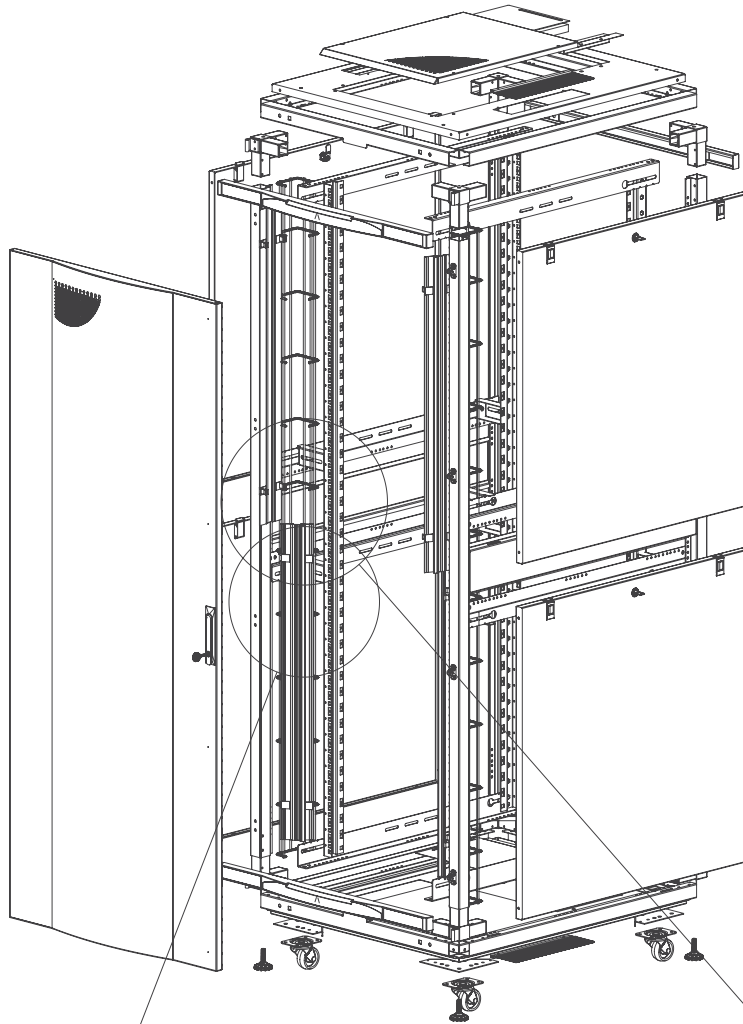


RAL 9005 Black

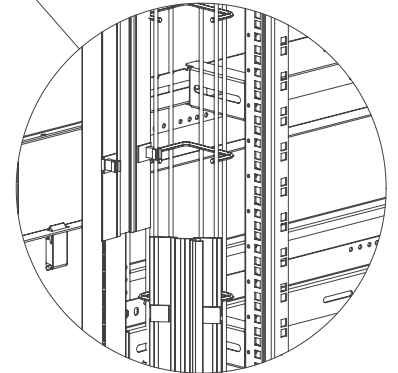
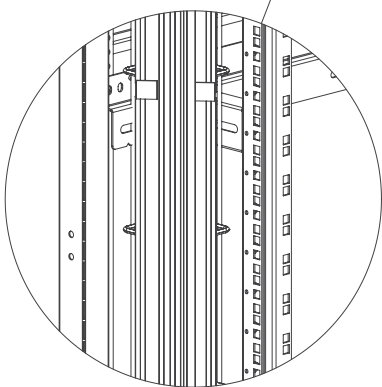
EXPLODED VIEW

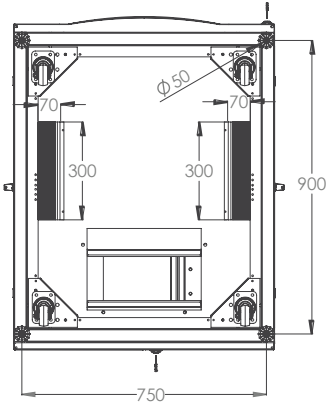


CONSTRUCTION
DRAWING

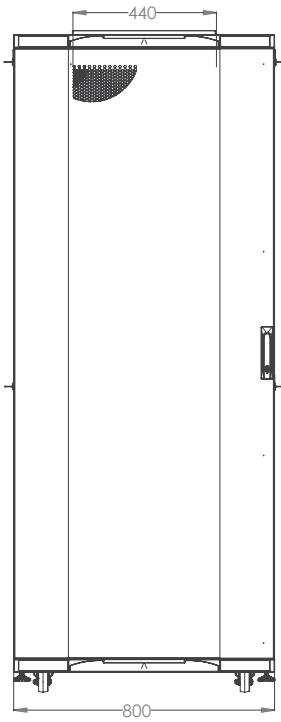


Optional vertical cable management panel possible to use in front or at rear.

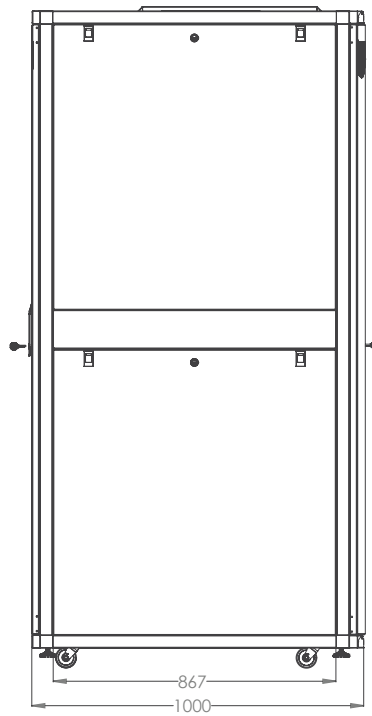




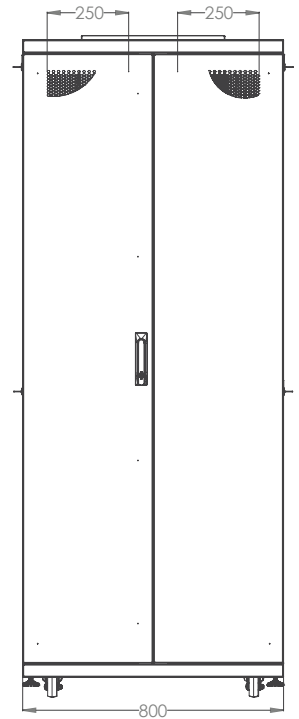
BOTTOM VIEW



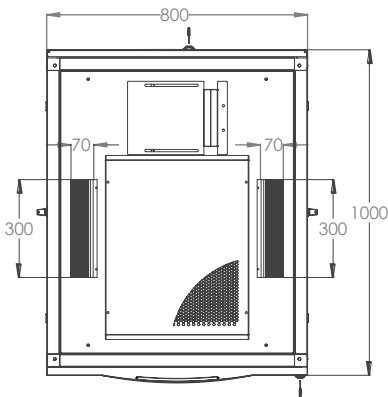
FRONT VIEW



SIDE VIEW

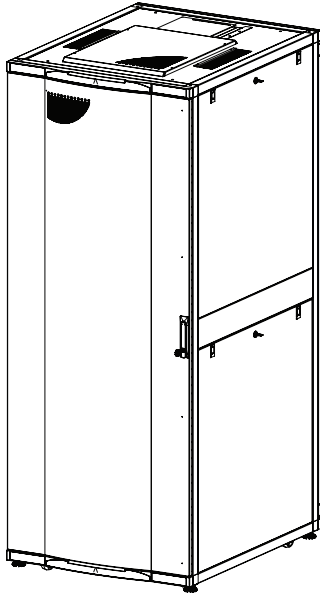


REAR VIEW

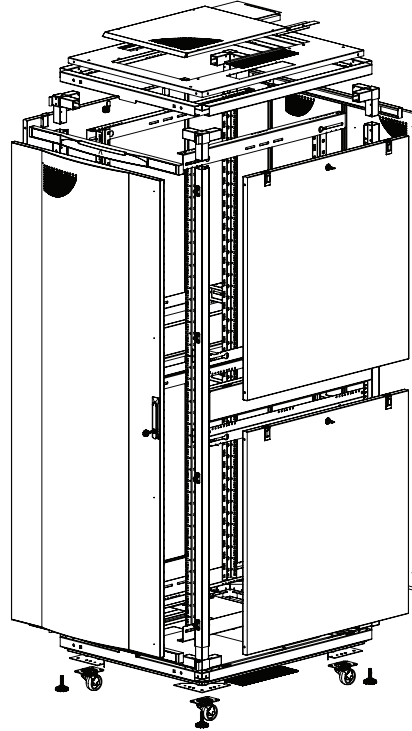


TOP VIEW

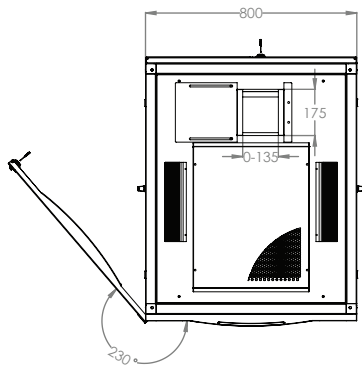
CONSTRUCTION
DRAWING



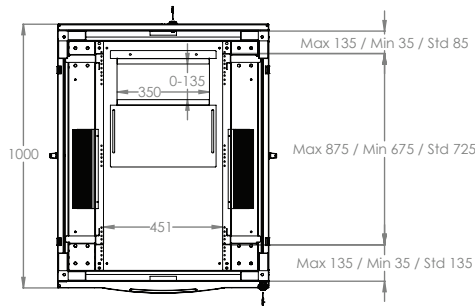
ISOMETRIC VIEW



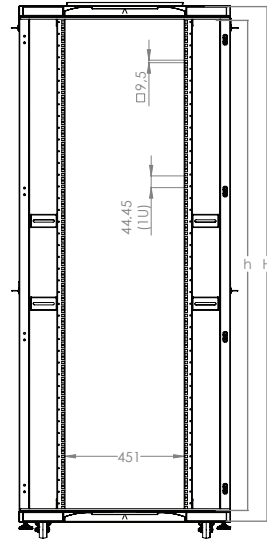
EXPLODED VIEW



FRONT DOOR
OPENING ANGLE



MAX/STD/MIN
EQUIPMENT MOUNTING DISTANCE



DIMENSIONS IN
WIDTH AND HEIGHT

DYNAmax Series Free Standing 19" Server Cabinets W=800mm D=1000mm

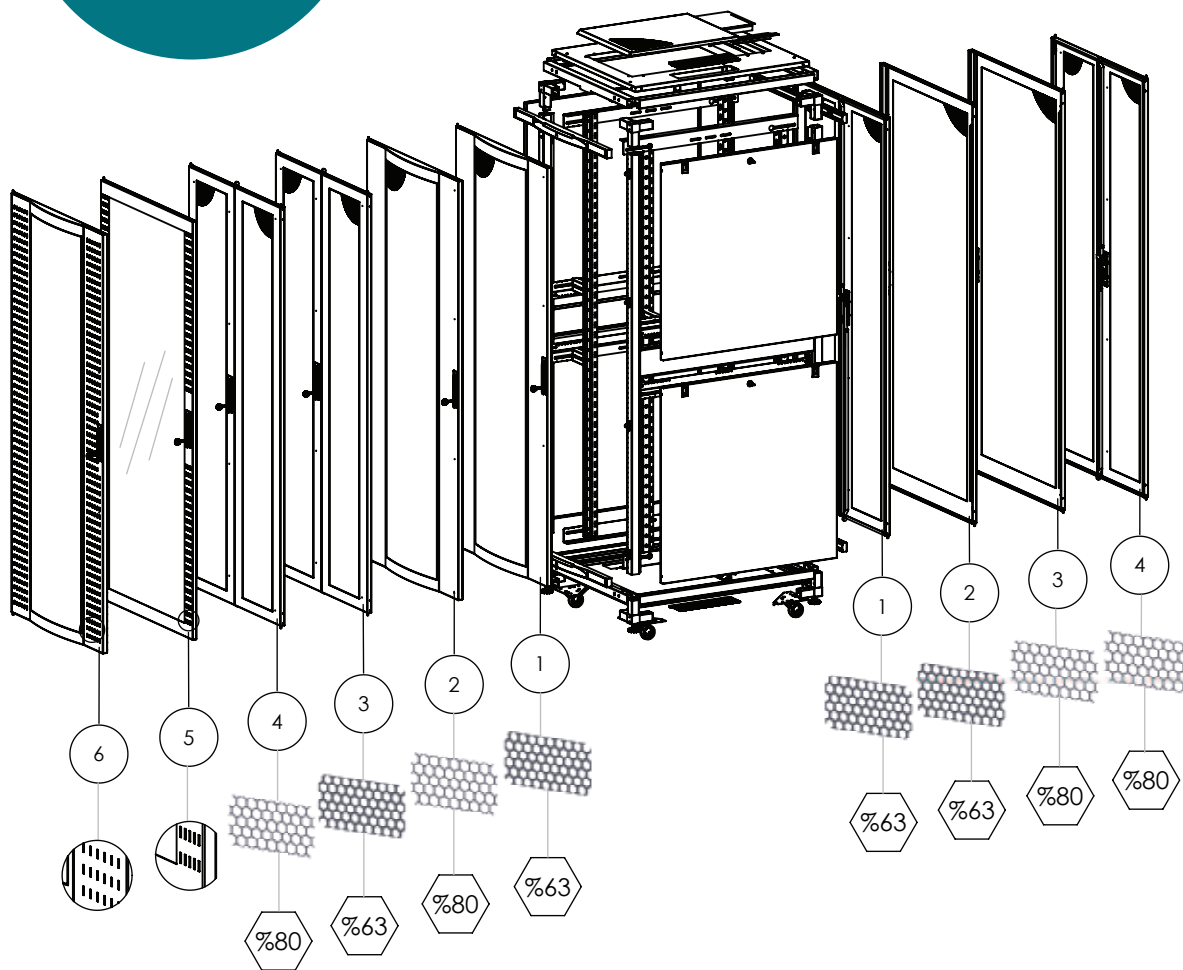
ROOT Product Number ***	Product Description	Size WxDxH mm	h size in U	h in mm	*H mm, overall without feet and/or castor	Width Overall mm	Width Rail to Rail	Depth Overall mm	**Depth Shipping Conf. Rail to Rail mm	QTY IN PACKAGE	PACKING DIMENSIONS WxDxH mm	Standard NET Weight of product kgs	Gross Weight of Product kgs	QTY IN PALETTE	PALETTE DIMENSIONS WxDxH mm	Palette Weight kgs
LN-SR42U8010-CC-111	42U 19" Free Standing Server Cabinet W=800mm D=1000mm	800x1000x1970	42U	1867	1970	800	19"	1000	720	1	880x1080x2100	128	148	1	880x1080x2100	148
LN-SR45U8010-CC-111	45U 19" Free Standing Server Cabinet W=800mm D=1000mm	800x1000x2105	45U	2000	2105	800	19"	1000	720	1	880x1080x2245	137	159	1	880x1080x2245	159

* Please add 80mm to H mm for combined caster and leveling feet for shipping configuration.

** See min and max Adjustable depth variations on drawings.

***CC= LG for Light Grey RAL 7035 & BL for Black RAL 9005 for customers to define while ordering, for "111" selection please see the door options.

DOOR
OPTIONS



DYNAmax Server Cabinet W=800mm D=1000mm
All Heights FRONT DOOR Options

- 0 Without front Door
- 1 Single Opening, Curved Shape, Complete Framed %63 perforated, Solid Metal Front Door, 4 Point Handled Locking
- 2 Single Opening, Curved Shape, Complete Framed %80 perforated, Solid Metal Front Door, 4 Point Handled Locking
- 3 Double Opening, Flat Shape, Complete Framed %63 perforated, Solid Metal Front Door, 3 Point Handled Locking
- 4 Double Opening, Flat Shape, Complete Framed %80 perforated, Solid Metal Front Door, 3 Point Handled Locking
- 5 Single Opening, Flat Shape, Complete Framed Glass Center Ventilation Slotted pattern on frame, Solid Metal Front Door, 4 Point Handled Locking
- 6 Single Opening, Curved Shape, Complete Framed Plexi-glass Center Ventilation Slotted pattern on frame, Solid Metal Front Door, 4 Point Handled Locking

DYNAmax Server Cabinet W=800mm D=1000mm
All Heights REAR DOOR Options

- 0 Without Rear Door
- 1 Double Opening, Flat Shape, Complete Framed %63 perforated, Solid Metal Rear Door, 3 Point Handled Locking
- 2 Single Opening, Flat Shape, Complete Framed %63 perforated, Solid Metal Rear Door, 4 Point Handled Locking
- 3 Single Opening, Flat Shape, Complete Framed %80 perforated, Solid Metal Rear Door, 4 Point Handled Locking
- 4 Double Opening, Flat Shape, Complete Framed %80 perforated, Solid Metal Rear Door, 3 Point Handled Locking

DYNAmax Server Cabinet W=800
D=1000mm All Heights SIDE
PANEL Options

- 0 No Side Panel On product
- 1 Two Side Panels, left / right included in shipping configuration
- 2 One Side Panel Only on Left Side
- 3 One Side Panel Only on Right Side

LN-AA

XXU

WW

DD

CC

LN Corporate codification beginning letters mentioning Lande in Short Format as LN

AA Family Group of Enclosure; FS for Free Standing cabinets, WM for Wall Mounting Cabinets, SH for Small office Home office Range, SR for Server enclosure Range, SL for Slim series, RS for Home series wall cabinets

XX Numeric Character defining the height of enclosures, depending on model differences between 12 to 45 to be selected from price list, website or catalogue

U U Height Alphanumeric Notation, concrete (non editable- fixed character)

WW The First 2 digits of the width info, 60 for W=600mm, 80 for W=800mm, 54 for W=540mm, 30 for W=300mm Soho 10" enclosure

DD The First 2 digits of the depth info, 45 for D=450mm, 40 for D=400mm, 60 for D=600mm, 80 for D=800mm, 10 for D=1000mm cabinets

CC Color Code, LG for Light Grey RAL 7035, BL for Black RAL 9005

000

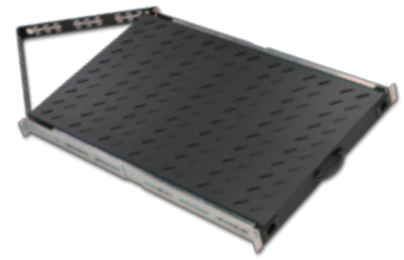
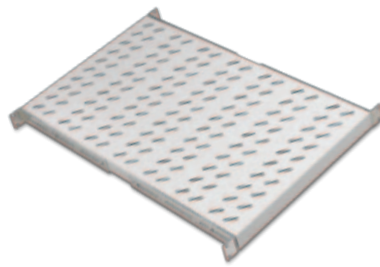
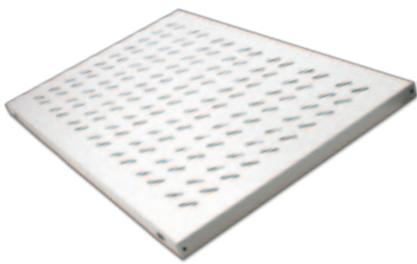
0 Front Door Variation number, numeric character 1 to 9 / 0 means no front door, standard front door defined in Lande System as option 1., Please select other variations if needed from above door selection drawing. Unless defined option 1 should be delivered

0 Rear Door Variation number, numeric character 1 to 9 / 0 means no rear door, standard rear door defined in Lande System as option 1., Please select other variations if needed from above door selection drawing. Unless defined option 1 should be delivered

0 Side Panel/Door Variation number, numeric character 1 to 9 / 0 means no side panel on product, standard side panel/door defined in Lande System as option 1. Unless defined option 1 should be delivered



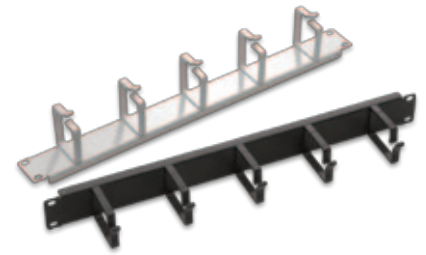
Frequent Used Accessory Selection Chart



Frequent Used Accessories DYNAmax Series Server Cabinets Sizes w:width mm d:depth mm

	W: 600 x D:1000mm	W: 800 x D:1000mm
Fixed Shelves compatible with only Lande cabinet	LN-RAF-SBT-D100-CC	LN-RAF-SBT-D100-CC
Fixed Shelves Universal Multivendor	LN-RAF-SBT-D100-CC-UNV	LN-RAF-SBT-D100-CC-UNV
Heavy Duty Fixed Shelves	LN-RAF-SBA-D100-CC	LN-RAF-SBA-D100-CC
Heavy Duty Sliding Shelves	LN-RAF-HRA-D100-CC	LN-RAF-HRA-D100-CC

**CC is color code: please insert BL for Black and LG for Light Grey on the part numbers while creating order



Frequent Used Accessories DYNAmax Series Server Cabinets Sizes w:width mm d:depth mm

	W: 600 x D:1000mm	W: 800 x D:1000mm
4 fan Units on/off switched	LN-FAN-ONF-4FSR-CC	LN-FAN-ONF-4FSR-CC
6 fan Units on/off switched	LN-FAN-ONF-6FSR-CC	LN-FAN-ONF-6FSR-CC
4 fan Units with Thermostatic control Unit	LN-FAN-THM-4FSR-CC	LN-FAN-THM-4FSR-CC
6 fan Units with Thermostatic control Unit	LN-FAN-THM-6FSR-CC	LN-FAN-THM-6FSR-CC
Horizontal Cable Management Panel 19" 1U 5 rings	LN-KDG-YKD-1UKN-CC	LN-KDG-YKD-1UKN-CC
Vertical Cable Manager	-	LN-KDG-ORG-xxUD-CC

**CC is color code: please insert BL for Black and LG for Light Grey on the part numbers while creating order

***XX is the U height of Vertical cable manager, according to selected height of cabinet, please define U height while creating order



Frequent Used Accessories DYNAmax Series Server Cabinets Sizes w:width mm d:depth mm

	W: 600 x D:1000mm	W: 800 x D:1000mm
PDU 6 way Schuko with 1x16A cct breaker	LN-PRZ-SGT-1U6P-SC	LN-PRZ-SGT-1U6P-SC
Mounting Hardware, Fixing M6 Cage nut set of 20	LN-DGR-KFS-M620-XX	LN-DGR-KFS-M620-XX

19" DYNAframe OPEN FRAME
System R A C K s



19" DYNAframe OPEN FRAME System R A C K S

W=530mm DYNAframe OPEN FRAME System Racks

DYNAframe series Open Frame System Racks offered for Networking and Servering applications, where there is no need of a closed enclosure due to security, climatized, and dust free conditions like Datacentre, Laboratories, Clean Rooms.

As well if only the cabling work to be completed with passive networking equipments and cabling, than the DYNAframe solutions provide a very cost effective solution, with ergonomy and easy assembly

While product gives maximum performance on servering and networking infrastructure, in parallel provides a very respective economy compared to its quality which is based on high technologic fully automated industry.

The product range is available in 5 heights from 27U through 48U.

The wide product height portfolio meets any U requirement in infrastructure needs.

The product range attracts the attention with the mostly environmentally fit and selected color of RAL 9005 Black, and RAL 7035 Light Grey, with fine wrinkle soft touch paint.

Completely standard and stocked product portfolio, being delivered as Flat Packed product, as shipping configuration the adjustable feet group is included. With flat package, product range is offering a superior result of economic transport cost scheme.

DYNAframe Series product range with optimal panel mounting size, and a variety range of accesories , especially the most functional cable management accesories enclose the whole expectation of users.



CONSTRUCTION DETAILS:

Main Profile- Framework- Top/Bottom Frame:

Automated bending technology applied Frame system, from steel material 2,0mm thickness.

The connection L supports on top are 4,0mm thickness Steel Material



The connection L supports on bottom are 4,0mm thickness Steel Material where the caster group or leveling feet assembled into 12mm diameter holes.



DYNAframe series Open Frame System racks have a professional technical but aesthetic look with the mostly environmentally fit and selected color of RAL 9005 Black, and RAL 7035 Light Grey, with fine wrinkle soft touch paint.

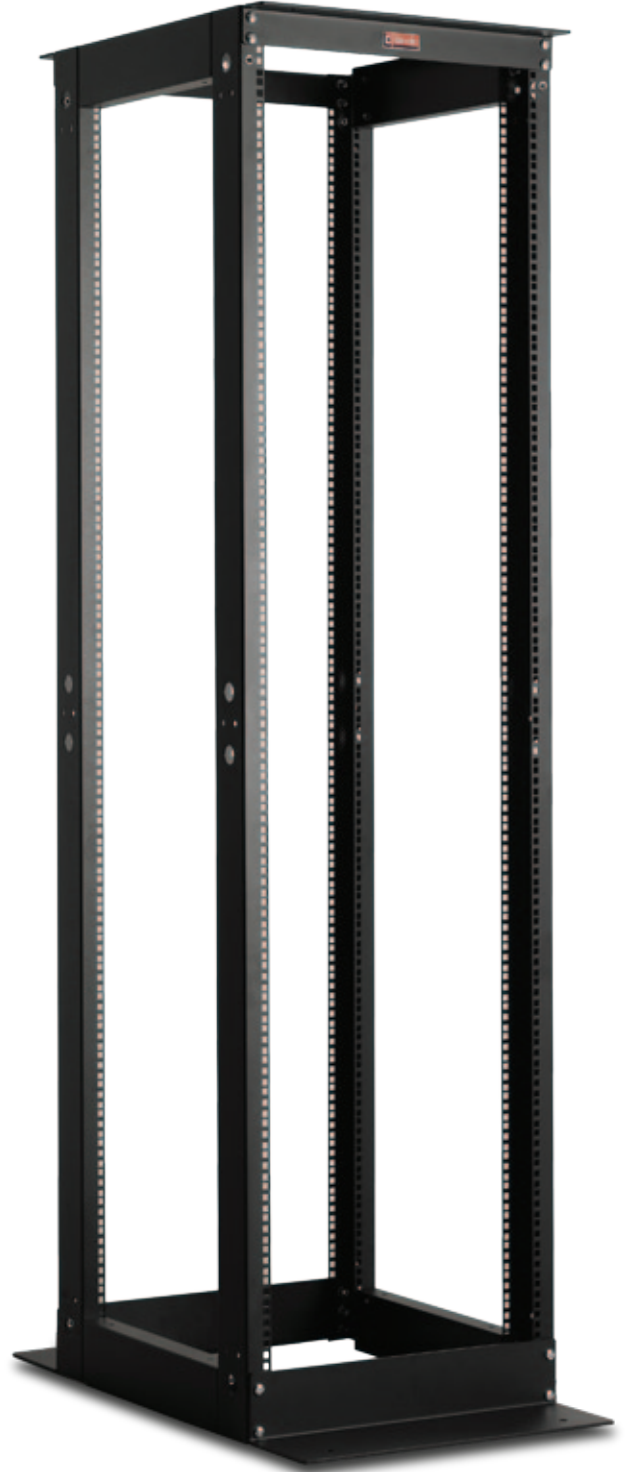
Fully Modular structure, easy assembly and flat pack supply operated with high quantity in shipment vehicles. Easy assembly measured value of 8 minutes for double frame, and 3 minutes for Single Frame can be performed.

Heavy duty structure of frames and L supports results to high load capacity of: 600 kgs.

Two Frame models are available, d80mm and d160mm. Single Frame Model can be created from both d80mm and d160mm frames. Double section segment is created from d80mm frames.

With depth Frame connection brackets, D:670mm, D:870mm, D:1070mm Double Frames can be configured.

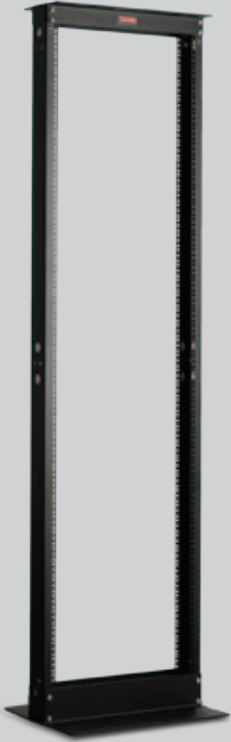
All Free Standing Shelving accessories are compatible with the double frame System racks, selection of shelves are as per the depth information mentioned in the accessory section, and compatibility charts.



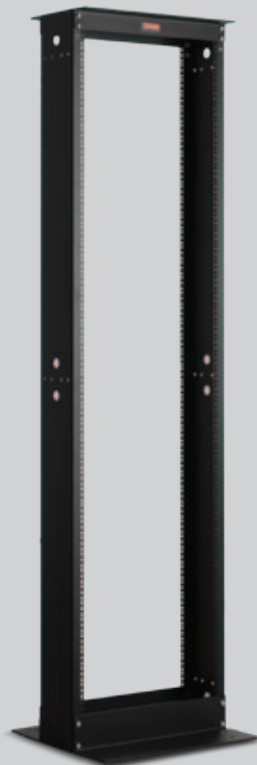
19" DYNAframe Open Frame System Racks F A M I L Y

PRODUCT TYPES:

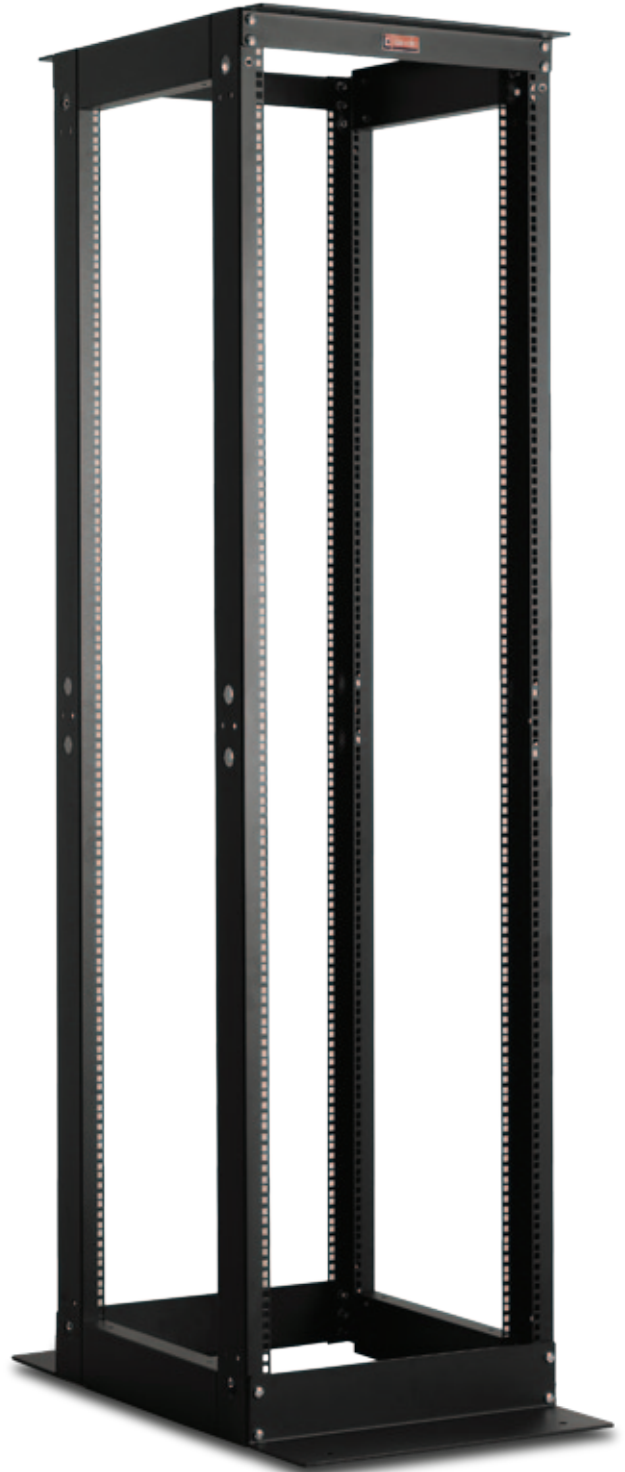
DYNAframe Single Open Frame System Rack with d80mm Frame Unit



DYNAframe Single Open Frame System Rack with d160mm Frame Unit



DYNAframe Double Open Frame System Rack with d80mm Frame Unit



Width=530mm
Depth=380mm

Standard Heights:

5 different U heights:
27U, 36U, 42U, 45U, 48U

Standards, and Compliances:



ISO 9001:2008
Quality Management System

EN 61587 -1:2012
Mechanical Structures for
Electronic Equipment

IEC 297-1, 19" mounting
IEC 297-2 Overall cabinet dimensions



CE conform to
EN 60950-1:2006
Information Technology
Equipment – Safety – Part-1-
General Requirements



Environment Friendly;
*Environmental awareness
*RoHS compliancy
*% 100 Recyclable
Material

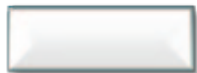
Load Capacity: 600 kgs.



DYNAframe series OPEN
FRAME SYSTEM RACKs
networking Frames are with 19"
w:530mm and d:380mm base L
parts size, physical sizes, 5
different height, gives a wide
selection chart for users

Single Frame depth is mentioned
as the depth of Base Frame, the
depth of Frame unit is 80mm

Standard Color:

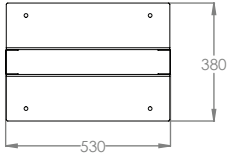


RAL 7035 Light Grey

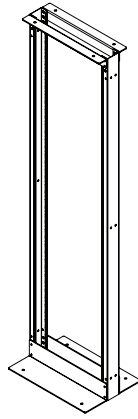


RAL 9005 Black

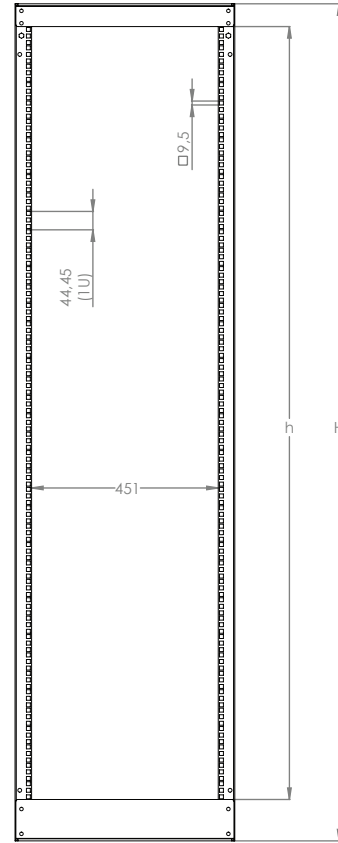
DETAILS and
EXPLODED
VIEW



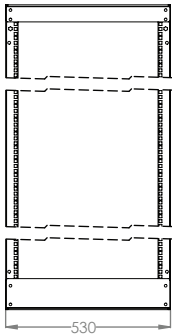
BOTTOM VIEW



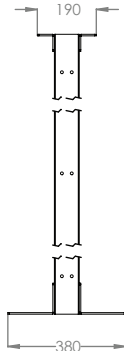
ISOMETRIC VIEW



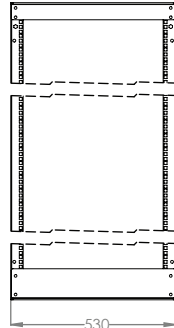
DIMENSIONS IN
WIDTH AND HEIGHT



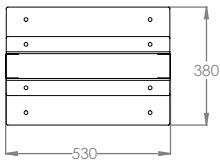
FRONT VIEW



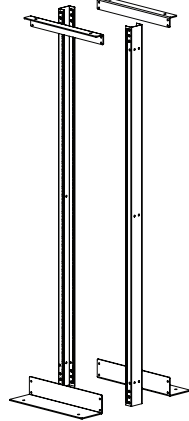
SIDE VIEW



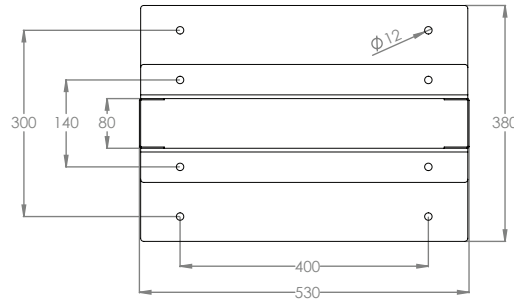
REAR VIEW



TOP VIEW



EXPLODED VIEW



TOP VIEW
MOUNTING DIMENSIONS

19" DYNAframe OPEN FRAME SYSTEM RACKs Single Frames d:80mm Frame Unit Width:530mm Depth: 380mm

ROOT Product Number ***	Product Description	Size WXD _X H mm	h size in U	h in mm	H mm, overall without feet and/or castor	Width Overall mm	Width Rail to Rail	Depth Overall mm	Depth of Rail	PACKING DIMENSIONS WXD _X H mm	QTY IN PACKAGE	Standard NET Weight of product kgs	Gross Weight of Product kgs
LN-OF27USD380-CC	27U D=80mm Frame Single Frame Open System Rack D=380mm	530x380x1356	27U	1200	1356	530	19"	380	80	165x120x1375	1	20	21
LN-OF36USD380-CC	36U D=80mm Frame Single Frame Open System Rack D=380mm	530x380x1756	36U	1600	1756	530	19"	380	80	165x120x1775	1	22,5	23,5
LN-OF42USD380-CC	42U D=80mm Frame Single Frame Open System Rack D=380mm	530x380x2022	42U	1867	2022	530	19"	380	80	165x120x2040	1	23,5	24
LN-OF45USD380-CC	45U D=80mm Frame Single Frame Open System Rack D=380mm	530x380x2156	45U	2000	2155	530	19"	380	80	165x120x2175	1	24,1	25,6
LN-OF48USD380-CC	48U D=80mm Frame Single Frame Open System Rack D=380mm	530x380x2289	48U	2133	2289	530	19"	380	80	165x120x2310	1	24,7	26,2

***CC= LG for Light Grey RAL 7035 & BL for Black RAL 9005 for customers to define while ordering.

Width=530mm
Depth=460mm

Standard Heights:

5 different U heights:
27U, 36U, 42U, 45U, 48U

Standards, and Compliances:



ISO 9001:2008
Quality Management System

EN 61587 -1:2012
Mechanical Structures for
Electronic Equipment

IEC 297-1, 19" mounting
IEC 297-2 Overall cabinet dimensions

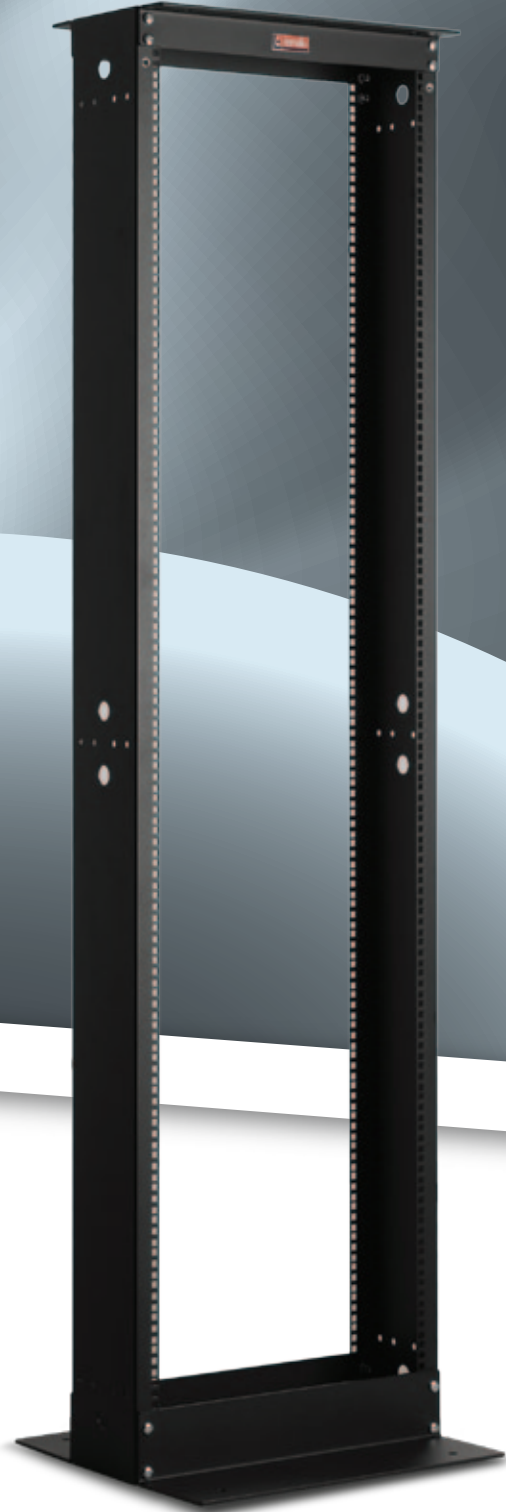


CE conform to
EN 60950-1:2006
Information Technology
Equipment – Safety – Part-1-
General Requirements



Environment Friendly;
*Environmental awareness
*RoHS compliancy
*% 100 Recyclable
Material

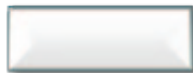
Load Capacity: 600 kgs.



DYNAframe series OPEN
FRAME SYSTEM RACKs
networking Frames are with 19"
w:530mm and d:460mm base L
parts size, physical sizes, 5
different height, gives a wide
selection chart for users

Single Frame depth is mentioned
as the depth of Base Frame, the
depth of Frame unit is 160mm

Standard Color:

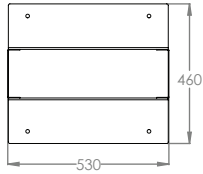


RAL 7035 Light Grey

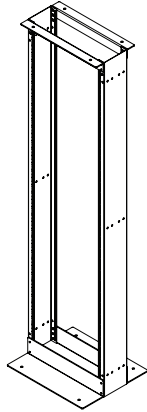


RAL 9005 Black

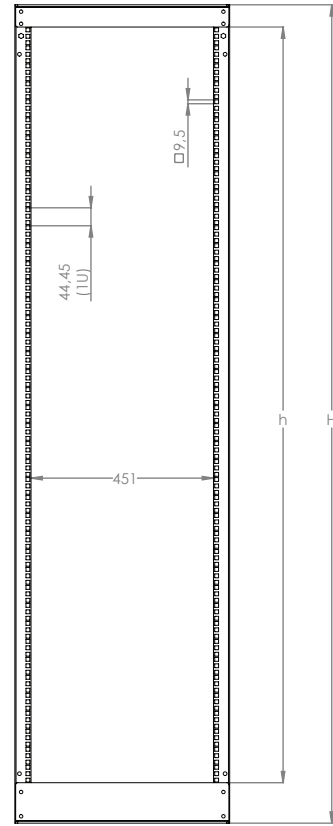
DETAILS and
EXPLODED
VIEW



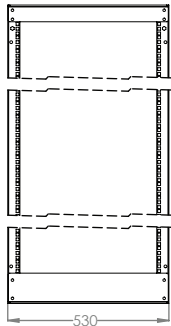
BOTTOM VIEW



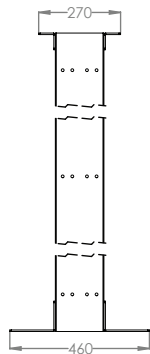
ISOMETRIC VIEW



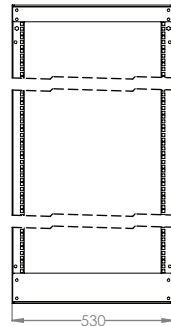
DIMENSIONS IN
WIDTH AND HEIGHT



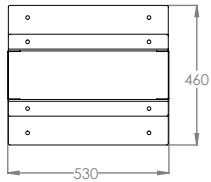
FRONT VIEW



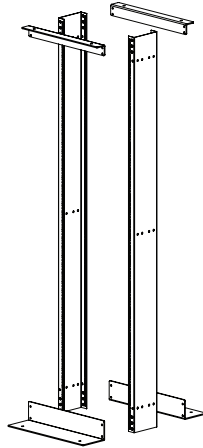
SIDE VIEW



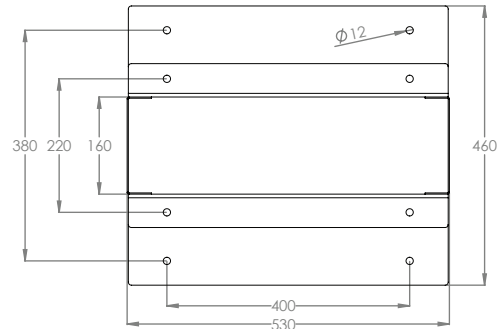
REAR VIEW



TOP VIEW



EXPLODED VIEW



TOP VIEW
MOUNTING DIMENSIONS

19" DYNAframe OPEN FRAME SYSTEM RACKs Single Frames d:160mm Frame Unit Width:530mm Depth: 460mm

ROOT Product Number ***	Product Description	Size WXDxH mm	h size in U	h in mm	H mm, overall without feet and/or castor	Width Overall mm	Width Rail to Rail	Depth Overall mm	Depth of Rail	PACKING DIMENSIONS WXDxH mm	QTY IN PACKAGE	Standard NET Weight of product kgs	Gross Weight of Product kgs
LN-OF27USD460-CC	27U D=160mm Frame Single Frame Open System Rack D=460mm	530x460x1356	27U	1200	1356	530	19"	460	160	190x115x1375	1	23,2	24
LN-OF36USD460-CC	36U D=160mm Frame Single Frame Open System Rack D=460mm	530x460x1756	36U	1600	1756	530	19"	460	160	190x115x1775	1	26,5	27,4
LN-OF42USD460-CC	42U D=160mm Frame Single Frame Open System Rack D=460mm	530x460x2022	42U	1867	2022	530	19"	460	160	190x115x2040	1	28,5	29,5
LN-OF45USD460-CC	45U D=160mm Frame Single Frame Open System Rack D=460mm	530x460x2156	45U	2000	2155	530	19"	460	160	190x115x2175	1	29,5	30,8
LN-OF48USD460-CC	48U D=160mm Frame Single Frame Open System Rack D=460mm	530x460x2289	48U	2133	2289	530	19"	460	160	190x115x2310	1	30,5	32

***CC= LG for Light Grey RAL 7035 & BL for Black RAL 9005 for customers to define while ordering.

Width=530mm
Depth=670/870/1070mm

Standard Heights:

5 different U heights:
27U, 36U, 42U, 45U, 48U

Standards, and Compliances:



ISO 9001:2008
Quality Management System

EN 61587 -1:2012
Mechanical Structures for
Electronic Equipment

IEC 297-1, 19" mounting
IEC 297-2 Overall cabinet dimensions



CE conform to
EN 60950-1:2006
Information Technology
Equipment – Safety – Part-1-
General Requirements



Environment Friendly;
*Environmental awareness
*RoHS compliancy
*% 100 Recyclable
Material

Load Capacity: 600 kgs.

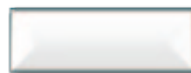


DYNAframe series OPEN FRAME SYSTEM RACKs networking Frames are with 19" w:530mm and d:670/870/1070 mm base L parts size, physical sizes, 5 different height, gives a wide selection chart for users. The connection part between Frames are changing for maintaining the D:670/870/1070mm depths which are variants of having the same accessories of the standard cabinets

Depth of frame is 80mm, where Base L parts overall depth is D:670/870/1070mm,

Top and Bottom Frame Cases has 19" provision of 3U for 670mm depth, 6U for 870mm depth, 9 U for 1070mm depth configurations where suitable purpose 19" cable management accessories can be positioned for carrying and fixing cables, see case study drawings at page 137.

Standard Color:

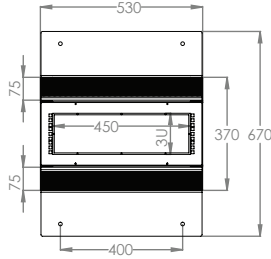


RAL 7035 Light Grey

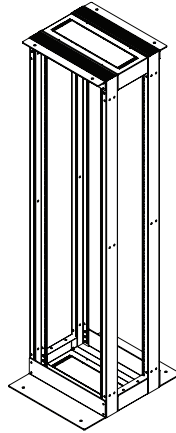


RAL 9005 Black

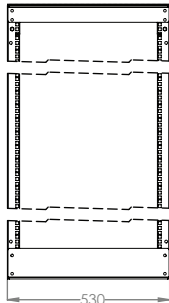
DETAILS and
EXPLODED
VIEW



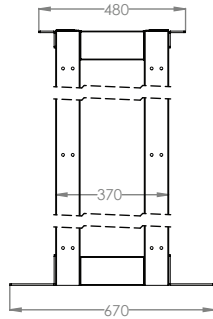
BOTTOM VIEW



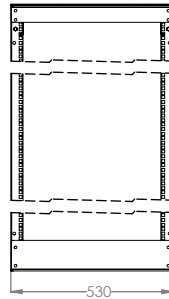
ISOMETRIC VIEW



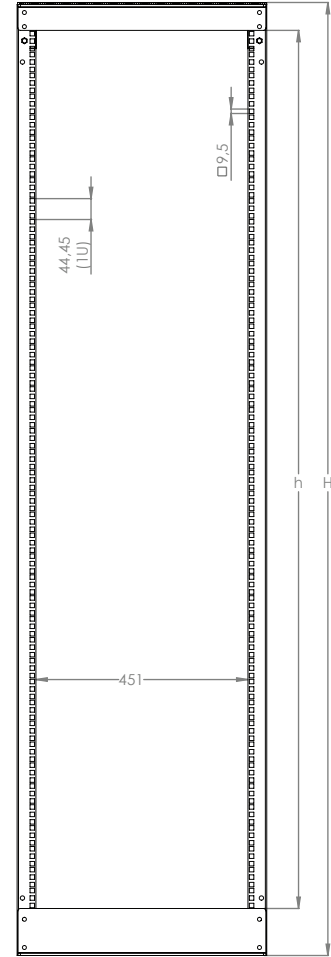
FRONT VIEW



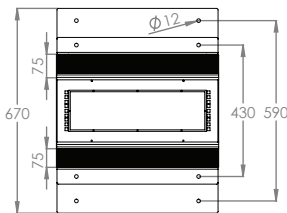
SIDE VIEW



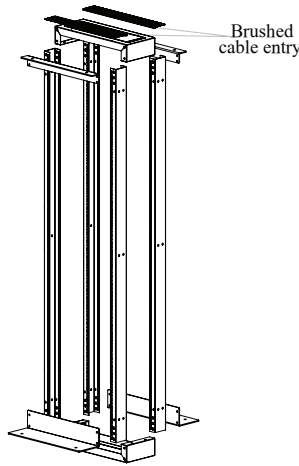
REAR VIEW



DIMENSIONS
IN
WIDTH AND HEIGHT



TOP VIEW

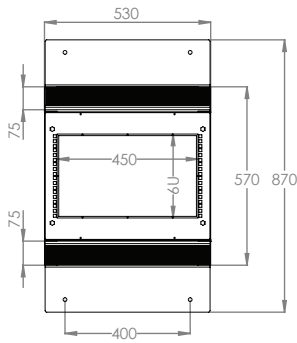


EXPLODED VIEW

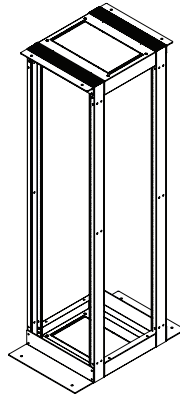
19" DYNAframe OPEN FRAME SYSTEM RACKs Double Frames d:80mm Frame Unit Width:530mm Depth: 670mm

ROOT Product Number ***	Product Description	Size WXDxH mm	h size in U	h in mm	H mm, overall without feet and/or castor	Width Overall mm	Width Rail to Rail	Depth Overall mm	Depth Front Rail to Rear Rail mm	PACKING DIMENSIONS of PACK 1 WxDxH mm	PACKING DIMENSIONS of PACK 2 WxDxH mm	QTY IN PACKAGE	Standard NET Weight of product kgs	Gross Weight of Product kgs
LN-OF27UDD670-CC	27U D=80mm Frame Double Frame Open System Rack D=670mm	530x670x1356	27U	1200	1356	530	19"	670	370	165x150x1375	350x350x120	1	32,3	33,3
LN-OF36UDD670-CC	36U D=80mm Frame Double Frame Open System Rack D=670mm	530x670x1756	36U	1600	1756	530	19"	670	370	165x150x1775	350x350x120	1	36,6	37,8
LN-OF42UDD670-CC	42U D=80mm Frame Double Frame Open System Rack D=670mm	530x670x2022	42U	1867	2022	530	19"	670	370	165x150x2040	350x350x120	1	39,1	41
LN-OF45UDD670-CC	45U D=80mm Frame Double Frame Open System Rack D=670mm	530x670x2156	45U	2000	2155	530	19"	670	370	165x150x2175	350x350x120	1	40,4	42,5
LN-OF48UDD670-CC	48U D=80mm Frame Double Frame Open System Rack D=670mm	530x670x2289	48U	2133	2289	530	19"	670	370	165x150x2310	350x350x120	1	41,7	43,8

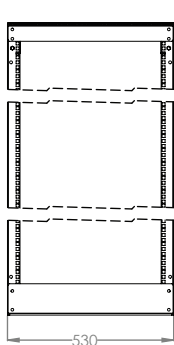
***CC= LG for Light Grey RAL 7035 & BL for Black RAL 9005 for customers to define while ordering.



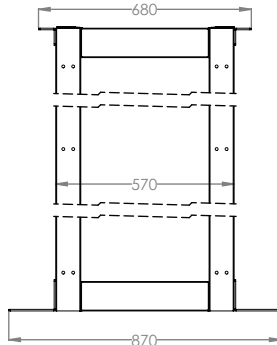
BOTTOM VIEW



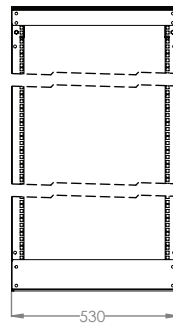
ISOMETRIC VIEW



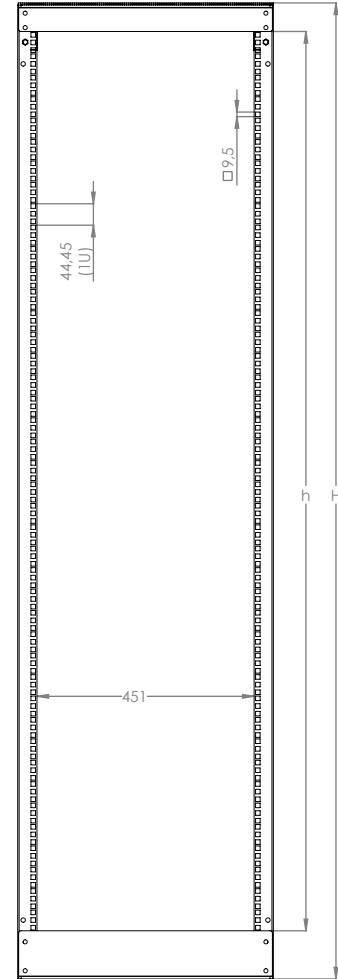
FRONT VIEW



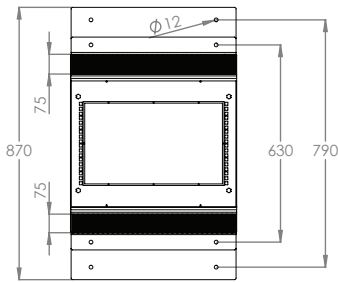
SIDE VIEW



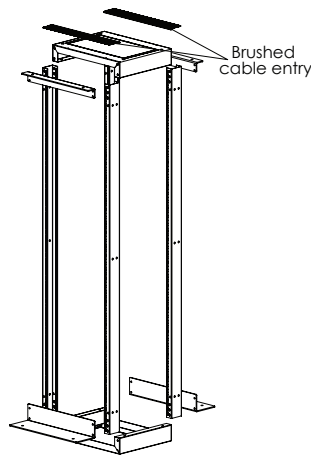
REAR VIEW



DIMENSIONS
IN
WIDTH AND HEIGHT



TOP VIEW



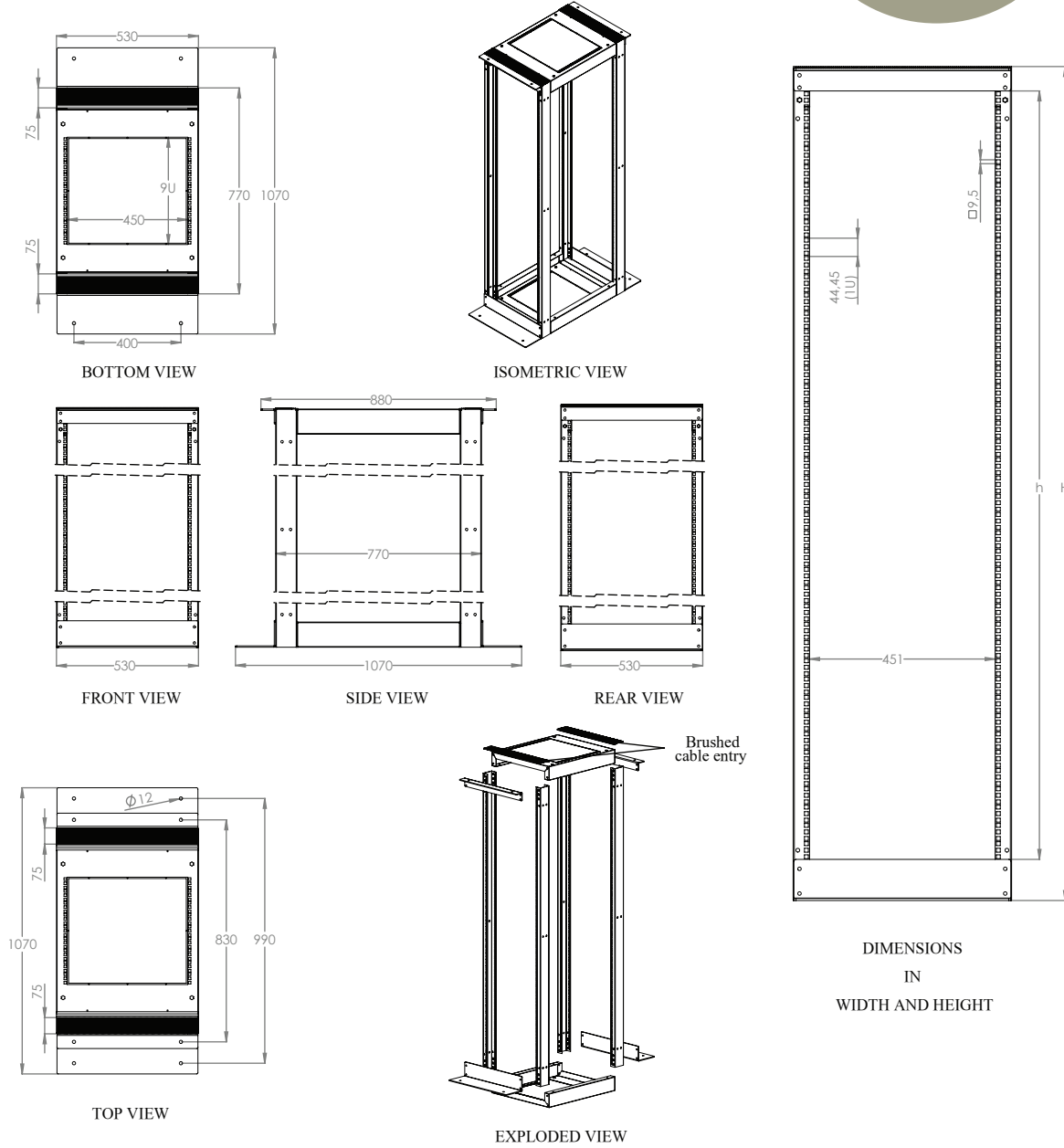
EXPLODED VIEW

19" DYNAframe OPEN FRAME SYSTEM RACKs Double Frames d:80mm Frame Unit Width:530mm Depth: 870mm

ROOT Product Number ***	Product Description	Size WxDXH mm	h size in U	h in mm	H mm, overall without feet and/or castor	Width Overall mm	Width Rail to Rail	Depth Overall mm	Depth Front Rail to Rear Rail mm	PACKING DIMENSIONS of PACK 1 WxDXH mm	PACKING DIMENSIONS of PACK 2 WxDXH mm	QTY IN PACKAGE	Standard NET Weight of product kgs	Gross Weight of Product kgs
LN-OF27UDD870-CC	27U D=80mm Frame Double Frame Open System Rack D=870mm	530x870x1356	27U	1200	1356	530	19"	870	570	165x150x1375	550x550x120	1	34,2	35,2
LN-OF36UDD870-CC	36U D=80mm Frame Double Frame Open System Rack D=870mm	530x870x1756	36U	1600	1756	530	19"	870	570	165x150x1775	550x550x120	1	38,4	40
LN-OF42UDD870-CC	42U D=80mm Frame Double Frame Open System Rack D=870mm	530x870x2022	42U	1867	2022	530	19"	870	570	165x150x2040	550x550x120	1	41	43
LN-OF45UDD870-CC	45U D=80mm Frame Double Frame Open System Rack D=870mm	530x870x2156	45U	2000	2155	530	19"	870	570	165x150x2175	550x550x120	1	42,3	44,5
LN-OF48UDD870-CC	48U D=80mm Frame Double Frame Open System Rack D=870mm	530x870x2289	48U	2133	2289	530	19"	870	570	165x150x2310	550x550x120	1	43,5	46

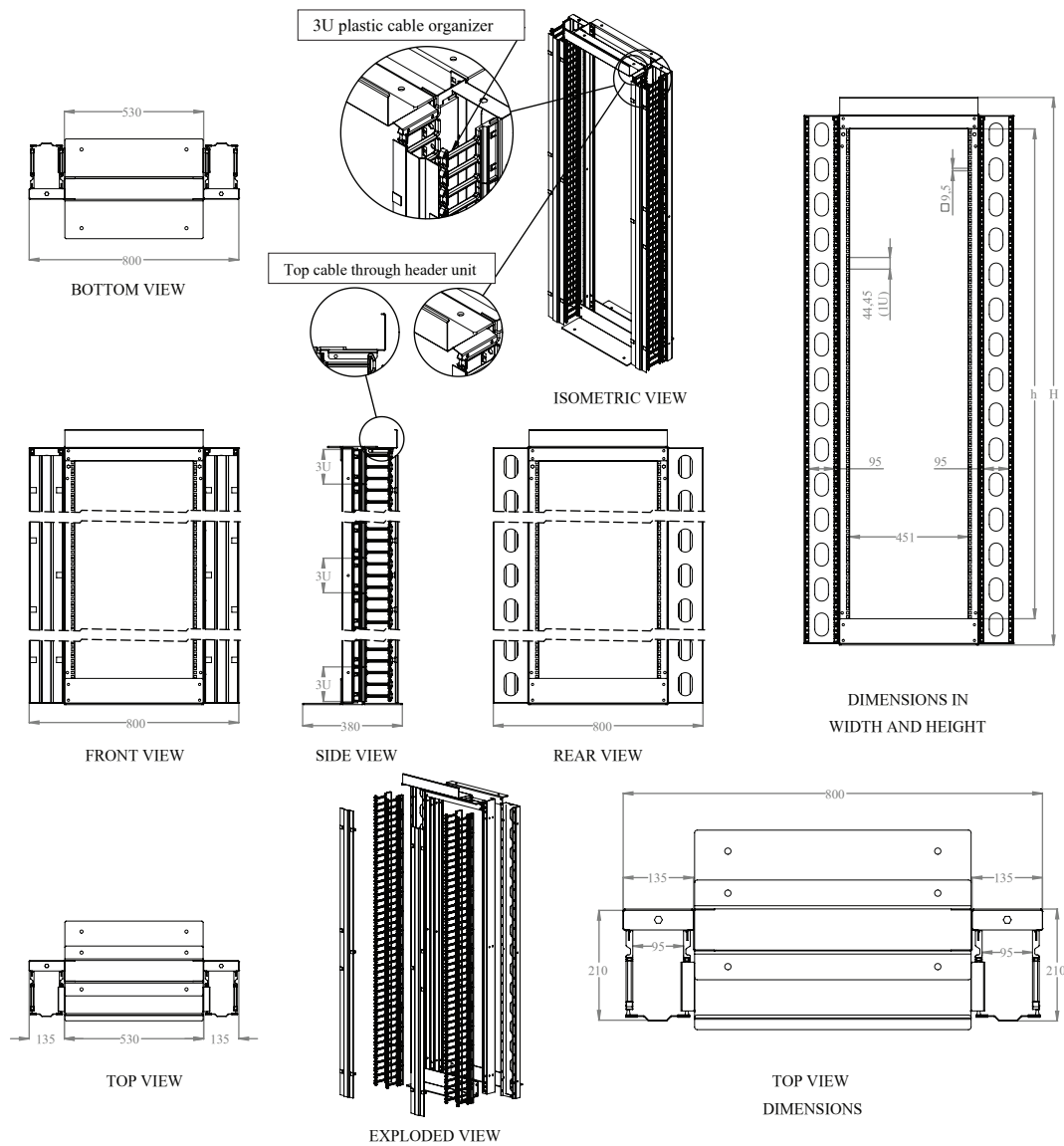
***CC= LG for Light Grey RAL 7035 & BL for Black RAL 9005 for customers to define while ordering.

DETAILS and
EXPLODED
VIEW



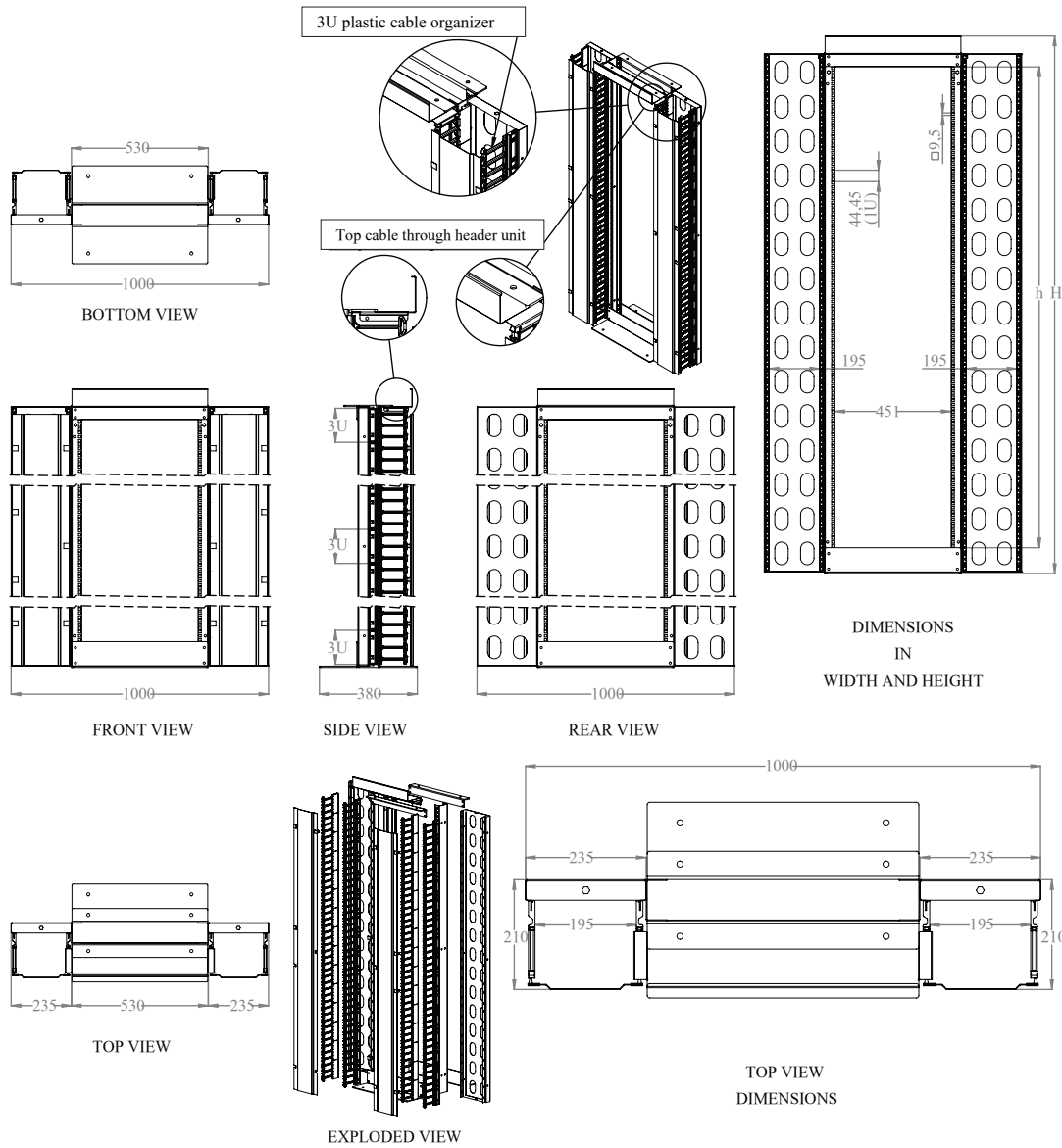
19" DYNAframe OPEN FRAME SYSTEM RACKs Double Frames d:80mm Frame Unit Width:530mm Depth: 1070mm														
ROOT Product Number ***	Product Description	Size WxDXH mm	h size in U	h in mm	H mm, overall without feet and/or castor	Width Overall mm	Width Rail to Rail	Depth Overall mm	Depth Front Rail to Rear Rail mm	PACKING DIMENSIONS of PACK 1 WxDXH mm	PACKING DIMENSIONS of PACK 2 WxDXH mm	QTY IN PACKAGE	Standard NET Weight of product kgs	Gross Weight of Product kgs
LN-OF27UDD1070-CC	27U D=80mm Frame Double Frame Open System Rack D=1070mm	530x1070x1356	27U	1200	1356	530	19"	1070	770	165x150x1375	750x750x120	1	36	37
LN-OF36UDD1070-CC	36U D=80mm Frame Double Frame Open System Rack D=1070mm	530x1070x1756	36U	1600	1756	530	19"	1070	770	165x150x1775	750x750x120	1	40,2	42
LN-OF42UDD1070-CC	42U D=80mm Frame Double Frame Open System Rack D=1070mm	530x1070x2022	42U	1867	2022	530	19"	1070	770	165x150x2040	750x750x120	1	42,8	45
LN-OF45UDD1070-CC	45U D=80mm Frame Double Frame Open System Rack D=1070mm	530x1070x2156	45U	2000	2155	530	19"	1070	770	165x150x2175	750x750x120	1	44,1	46,3
LN-OF48UDD1070-CC	48U D=80mm Frame Double Frame Open System Rack D=1070mm	530x1070x2289	48U	2133	2289	530	19"	1070	770	165x150x2310	750x750x120	1	45,2	47,8

***CC= LG for Light Grey RAL 7035 & BL for Black RAL 9005 for customers to define while ordering.



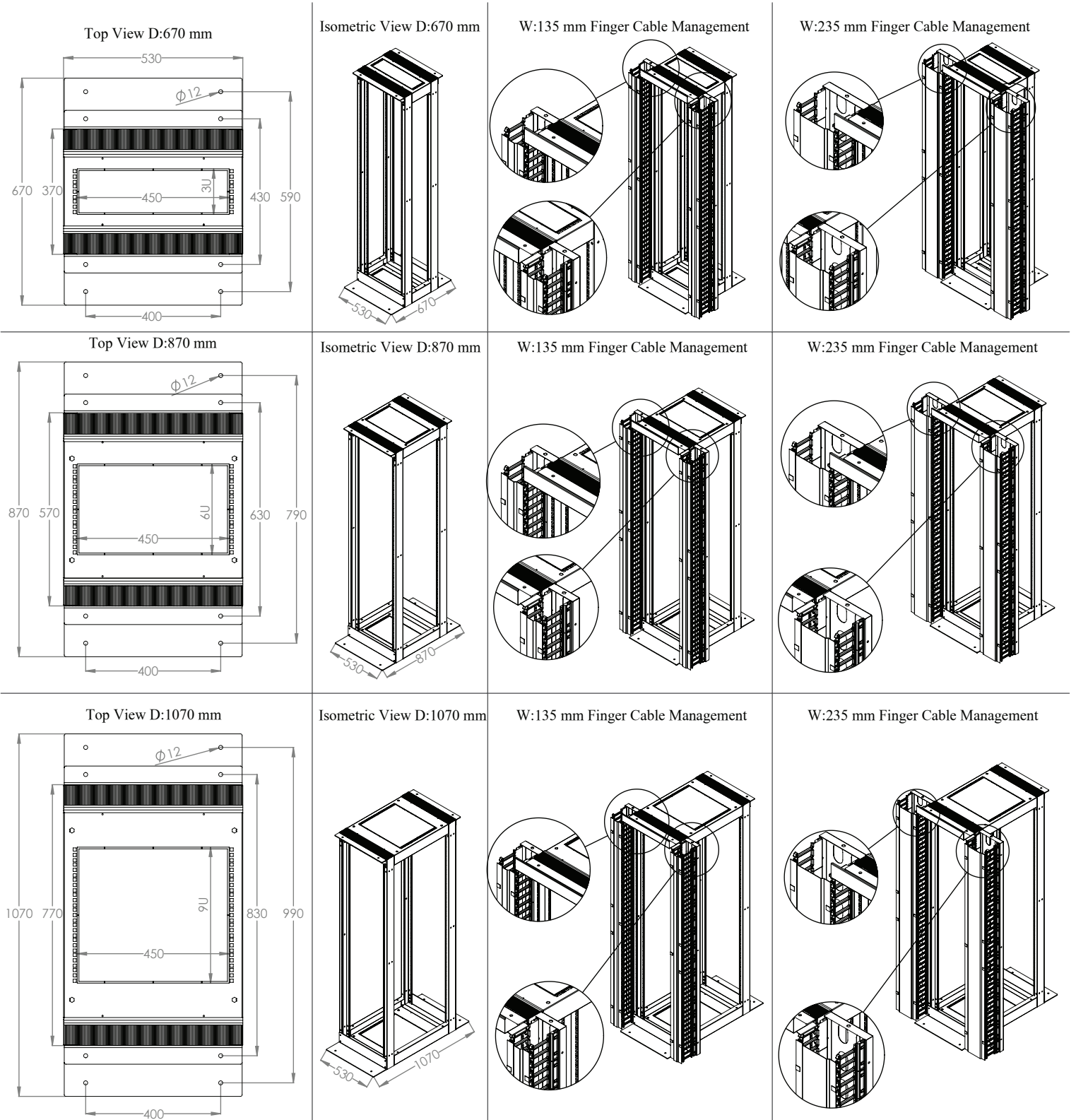
VERTICAL CABLE MANAGEMENT FOR OPEN FRAMES W=135mm D=210mm		Logistics Data						
Part Number*	Product Description	Product Dimensions mm	Pack Dimensions mm	Product Net Weight kgs	Product Gross Weight kg	QTY in Box pcs	Box Dimensions mm	Box Gross Weight kg
LN-KDG-OFR-5315-CC	Top Cable Through Header Unit	580x140x120	630x175x140	1,7	2,1	9	545x425x610	20,8
LN-KDG-OFR-27U135-CC	W=135mm D=210mm Vertical Cable Management Panel for Open Frames, Finger Type Cable Manager integrated Module 27U, 1 pcs	1345x135x210	1450x175x250	6	6,5	1	1450x175x250	6,5
LN-KDG-OFR-36U135-CC	W=135mm D=210mm Vertical Cable Management Panel for Open Frames, Finger Type Cable Manager integrated Module 36U, 1 pcs	1745x135x210	1850x175x250	7,1	7,7	1	1850x175x250	7,7
LN-KDG-OFR-42U135-CC	W=135mm D=210mm Vertical Cable Management Panel for Open Frames, Finger Type Cable Manager integrated Module 42U, 1 pcs	2011x135x210	2100x175x250	9,5	10,2	1	2100x175x250	10,2
LN-KDG-OFR-45U135-CC	W=135mm D=210mm Vertical Cable Management Panel for Open Frames, Finger Type Cable Manager integrated Module 45U, 1 pcs	2145x135x210	2250x175x250	10,1	10,9	1	2250x175x250	10,9
LN-KDG-OFR-48U135-CC	W=135mm D=210mm Vertical Cable Management Panel for Open Frames, Finger Type Cable Manager integrated Module 48U, 1 pcs	2278x135x210	2380x175x250	10,5	11,5	1	2380x175x250	11,5

* CC= Color Code, LG Light Grey RAL 7035, BL Black RAL 9005, customers to define while ordering

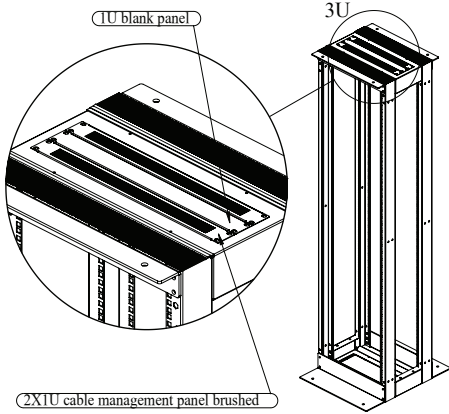


VERTICAL CABLE MANAGEMENT FOR OPEN FRAMES W=235mm D=210mm		Logistics Data						
Part Number*	Product Description	Product Dimensions mm	Pack Dimensions mm	Product Net Weight kgs	Product Gross Weight kg	QTY in Box pcs	Box Dimensions mm	Box Gross Weight kg
LN-KDG-OFR-5315-CC	Top Cable Through Header Unit	580x140x120	630x175x140	1,7	2,1	9	545x425x610	20,8
LN-KDG-OFR-27U235-CC	W=235mm D=210mm Vertical Cable Management Panel for Open Frames, Finger Type Cable Manager integrated Module 27U, 1 pcs	1345x235x210	1450x275x250	7,6	8,1	1	1450x275x250	8,1
LN-KDG-OFR-36U235-CC	W=235mm D=210mm Vertical Cable Management Panel for Open Frames, Finger Type Cable Manager integrated Module 36U, 1 pcs	1745x235x210	1850x275x250	9,8	10,4	1	1850x275x250	10,4
LN-KDG-OFR-42U235-CC	W=235mm D=210mm Vertical Cable Management Panel for Open Frames, Finger Type Cable Manager integrated Module 42U, 1 pcs	2011x235x210	2100x275x250	11,1	11,8	1	2100x275x250	11,8
LN-KDG-OFR-45U235-CC	W=235mm D=210mm Vertical Cable Management Panel for Open Frames, Finger Type Cable Manager integrated Module 45U, 1 pcs	2145x235x210	2250x275x250	12,5	13,3	1	2250x275x250	13,3
LN-KDG-OFR-48U235-CC	W=235mm D=210mm Vertical Cable Management Panel for Open Frames, Finger Type Cable Manager integrated Module 48U, 1 pcs	2278x235x210	2380x275x250	13,5	14,4	1	2380x275x250	14,4

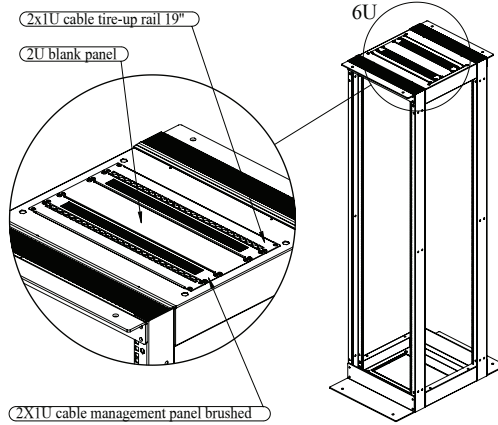
* CC= Color Code, LG Light Grey RAL 7035, BL Black RAL 9005, customers to define while ordering



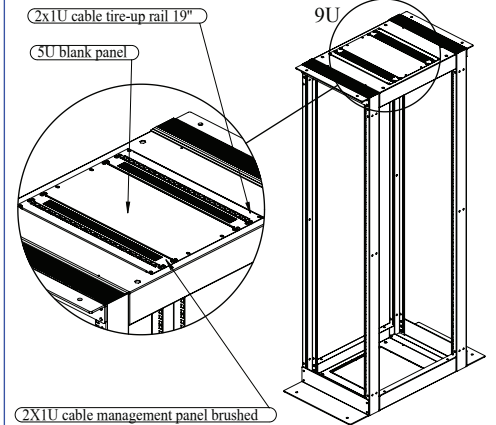
Using 3U 19" provision on the top for accessories
(Case Study)



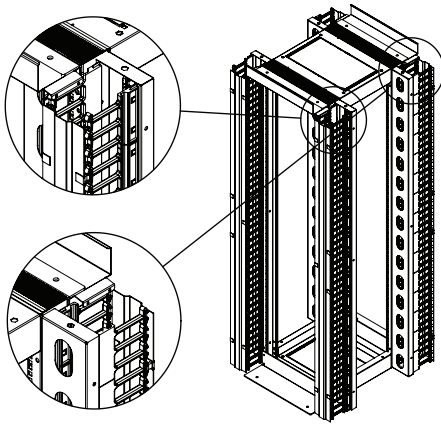
Using 6U 19" provision on the top for accessories
(Case Study)



Using 9U 19" provision on the top for accessories
(Case Study)

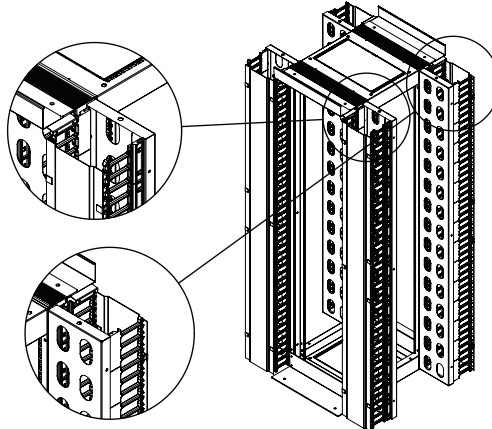


W:135 mm Finger Style Cable Manager



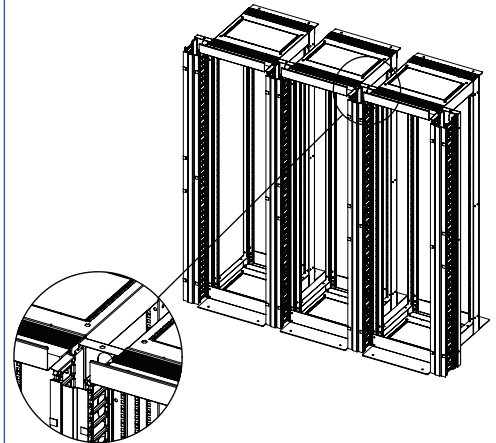
Possible to integrate to all
4 vertical posts of frame unit

W:235 mm Finger Style Cable Manager

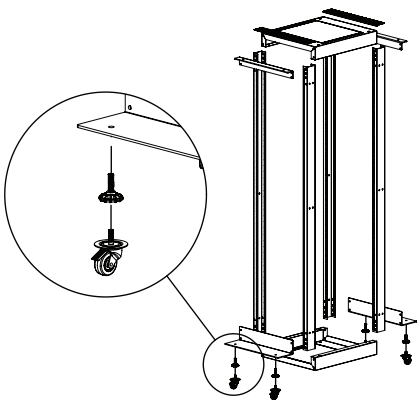


Possible to integrate to all
4 vertical posts of frame unit

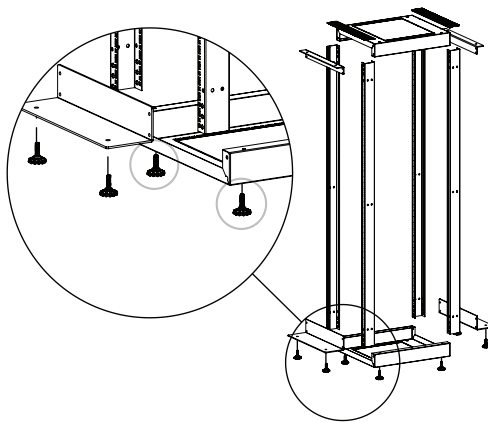
Using Finger Style Cable Manager as a common
cable manager for side by side stacked frame



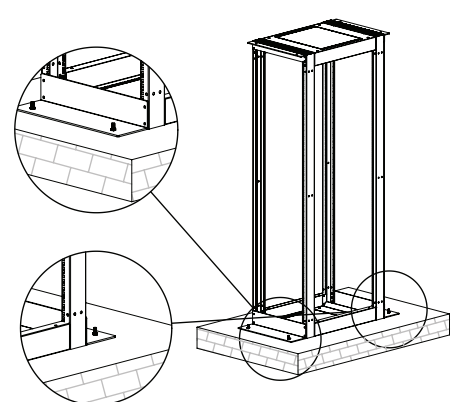
Integration of Leveling Feet / Caster Set



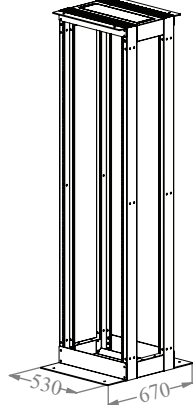
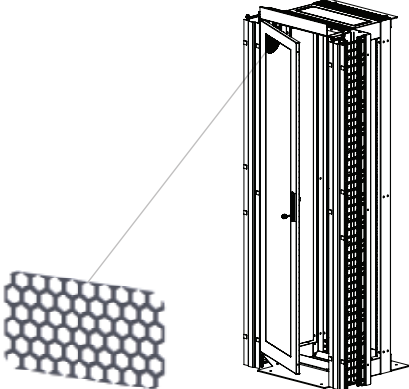
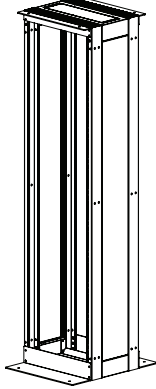
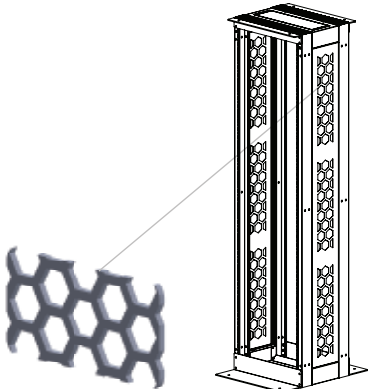
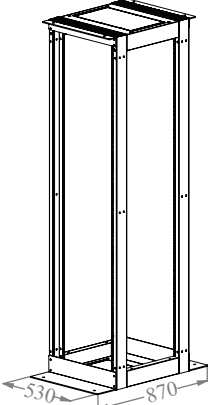
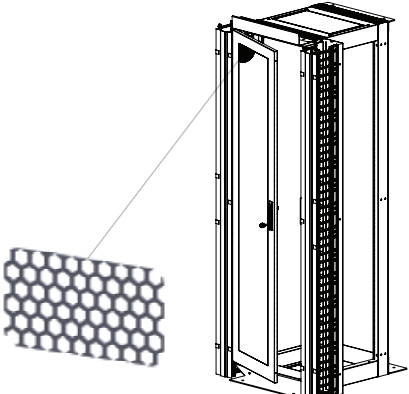
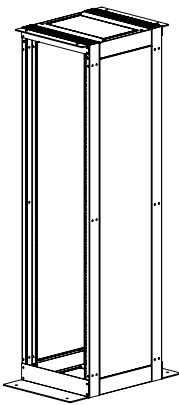
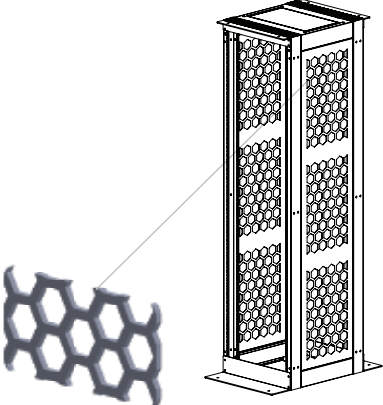
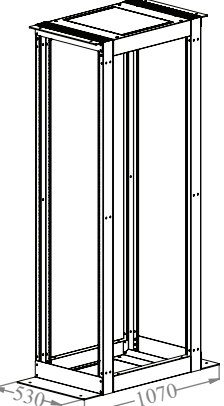
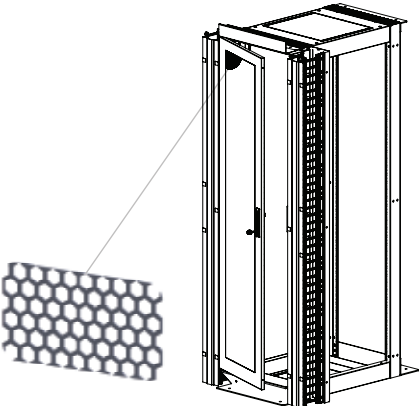
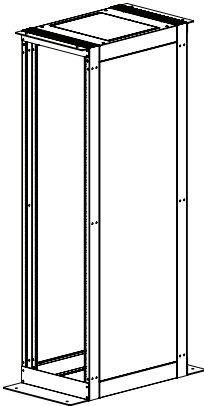
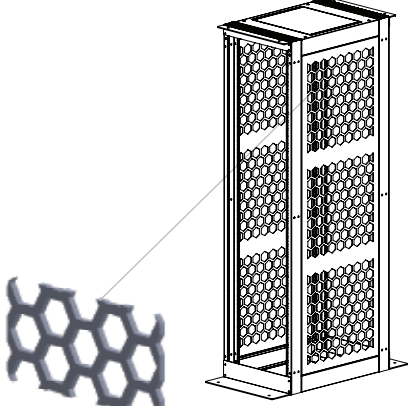
Integration of additional Leveling Feet for
increasing Loading capacity
without fixing frame to the floor



Fixing of Frame to the floor

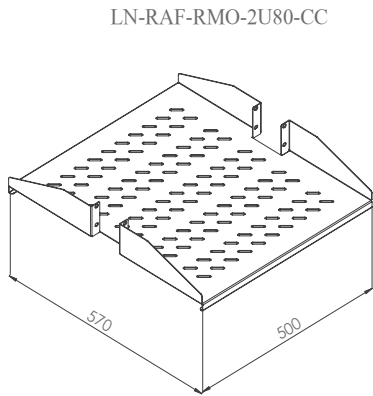


APPLICATION DRAWINGS / CASE STUDIES

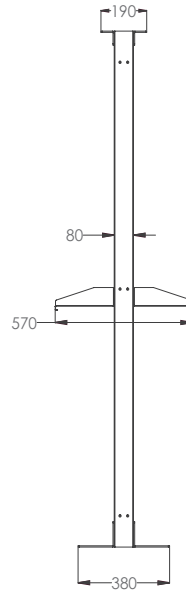
<p>Isometric View D:670 mm</p> 	<p>%63 Perforated Front/Rear door application</p> 	<p>Solid side panel application</p> 	<p>52 mm sized honeycomb Side panel for airflow</p> 
<p>Isometric View D:870 mm</p> 	<p>%63 Perforated Front/Rear door application</p> 	<p>Solid side panel application</p> 	<p>52 mm sized honeycomb Side panel for airflow</p> 
<p>Isometric View D:1070 mm</p> 	<p>%63 Perforated Front/Rear door application</p> 	<p>Solid side panel application</p> 	<p>52 mm sized honeycomb Side panel for airflow</p> 

RACK MOUNT SHELVES	
Part Number*	Product Description
LN-RAF-RMO-2U80-CC	2U D=570mm 19" Rack Mount Double way shelf, 4 point fixing, fixed shelf, single frame 80mm frame, usage at 19" provision, load capacity 50 kgs

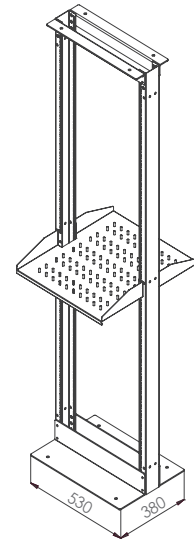
* CC= Color Code, LG Light Grey RAL 7035, BL Black RAL 9005, customers to define while ordering



ISOMETRIC VIEW OF
DOUBLE WAY SHELF



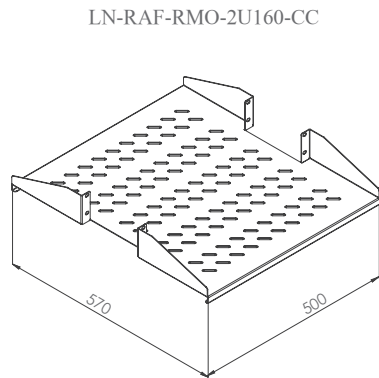
SIDE VIEW



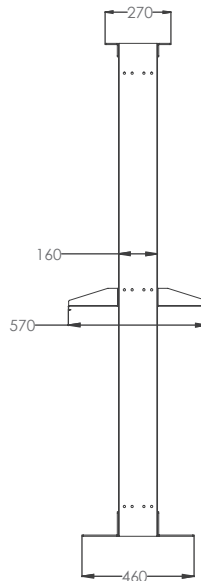
ISOMETRIC VIEW

RACK MOUNT SHELVES	
Part Number*	Product Description
LN-RAF-RMO-2U160-CC	2U D=570mm 19" Rack Mount Double way shelf, 4 point fixing, fixed shelf, single frame 160mm frame, usage at 19" provision, load capacity 50 kgs

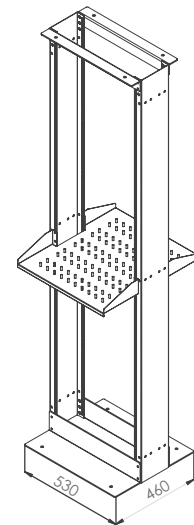
* CC= Color Code, LG Light Grey RAL 7035, BL Black RAL 9005, customers to define while ordering



ISOMETRIC VIEW OF
DOUBLE WAY SHELF



SIDE VIEW



ISOMETRIC VIEW

19" DYNAframe Open Frame System Racks

Frequent Used Accessory Selection Chart

FIXED SHELVES, 4 POINT FIXING_ UNIVERSAL MODEL, MULTIVENDOR, compatible with any brand cabinet		COMPATIBLE WITH				
		DYNAframe Frame Systems W 530 x D (Depth) mm				
Part Number*	Product Description	Single Frame with 80mm depth Frame D: 380mm	Double Frame System with 80mm depth Frame D:670mm	Double Frame System with 80mm depth Frame D:870mm	Double Frame System with 80mm depth Frame D:1070mm	Single Frame with 160mm depth Frame D: 460mm
LN-RAF-SBT-D600-CC-UNV	Fixed Shelf, 19" 1U Metal Bracket, 4 point fixing, Physical Shelf Depth:370mm for D=600mm cabinetles, Load Capacity 50 kg Universal Model, Compatible with any brand cabinet		●			
LN-RAF-SBT-D800-CC-UNV	Fixed Shelf, 19" 1U Metal Bracket, 4 point fixing, Physical Shelf Depth:570mm for D=800mm cabinetles, Load Capacity 50 kg Universal Model, Compatible with any brand cabinet			●		
LN-RAF-SBT-D100-CC-UNV	Fixed Shelf, 19" 1U Metal Bracket, 4 point fixing, Physical Shelf Depth:770mm for D=1000mm cabinetles, Load Capacity 50 kg Universal Model, Compatible with any brand cabinet				●	

* CC= Color Code, LG Light Grey RAL 7035, BL Black RAL 9005, customers to define while ordering

FIXED SHELVES 4 POINT FIXING, HEAVY DUTY TYPE		COMPATIBLE WITH				
		DYNAframe Frame Systems W 530 x D (Depth) mm				
Part Number*	Product Description	Single Frame with 80mm depth Frame D: 380mm	Double Frame System with 80mm depth Frame D:670mm	Double Frame System with 80mm depth Frame D:870mm	Double Frame System with 80mm depth Frame D:1070mm	Single Frame with 160mm depth Frame D: 460mm
LN-RAF-SBA-D100-CC	Heavy Duty Fixed Shelf, 1U 19", 4 point fixing, Physical Shelf Depth:720mm for D=1000mm cabinets. Load Capacity 100 kg				●	

* CC= Color Code, LG Light Grey RAL 7035, BL Black RAL 9005, customers to define while ordering

SLIDING SHELVES 4 POINT FIXING, MULTIVENDOR, compatible with any brand cabinet		COMPATIBLE WITH				
		DYNAframe Frame Systems W 530 x D (Depth) mm				
Part Number*	Product Description	Single Frame with 80mm depth Frame D: 380mm	Double Frame System with 80mm depth Frame D:670mm	Double Frame System with 80mm depth Frame D:870mm	Double Frame System with 80mm depth Frame D:1070mm	Single Frame with 160mm depth Frame D: 460mm
LN-RAF-HRK-D600-CC	Sliding Shelf, 4 point fixing, Physical Shelf Depth:370mm for D=600mm cabinets, Load Capacity 30 kg, Compatible with any brand cabinet		●			
LN-RAF-HRK-D800-CC	Sliding Shelf, 4 point fixing, Physical Shelf Depth:570mm for D=800mm cabinets, Load Capacity 30 kg, Compatible with any brand cabinet			●		

* CC= Color Code, LG Light Grey RAL 7035, BL Black RAL 9005, customers to define while ordering

SLIDING SHELVES 4 POINT FIXING, HEAVY DUTY TYPE		COMPATIBLE WITH				
		DYNAframe Frame Systems W 530 x D (Depth) mm				
Part Number*	Product Description	Single Frame with 80mm depth Frame D: 380mm	Double Frame System with 80mm depth Frame D:670mm	Double Frame System with 80mm depth Frame D:870mm	Double Frame System with 80mm depth Frame D:1070mm	Single Frame with 160mm depth Frame D: 460mm
LN-RAF-HRA-D100-CC	Heavy Duty Sliding Shelf, 1U 19", 4 point fixing, Physical Shelf Depth:720mm for D=1000mm cabinets. Load Capacity 50 kg, full telescopic				●	

* CC= Color Code, LG Light Grey RAL 7035, BL Black RAL 9005, customers to define while ordering

POWER STRIPES ALUMINIUM HOUSING		COMPATIBLE WITH				
		DYNAframe Frame Systems W 530 x D (Depth) mm				
Part Number*	Product Description	Single Frame with 80mm depth Frame D: 380mm	Double Frame System with 80mm depth Frame D:670mm	Double Frame System with 80mm depth Frame D:870mm	Double Frame System with 80mm depth Frame D:1070mm	Single Frame with 160mm depth Frame D: 460mm
LN-PRZ-SGT-1U6P-SC	6xDIN49440 Socket Schuko Power Stripe, 19" 1U, aluminium housing, 1x16A cct breaker, 4000 Watt, 250V AC, 3x1.5mm ² , 2,5m cable, DIN 49441 plug, CE approval	●	●	●	●	●

19" DYNAframe Open Frame System Racks

Frequent Used Accessory Selection Chart

RACK MOUNT SHELVES 2 POINT FIXING		COMPATIBLE WITH				
		DYNAframe Frame Systems W 530 x D (Depth) mm				
Part Number*	Product Description	Single Frame with 80mm depth Frame D: 380mm	Double Frame System with 80mm depth Frame D:670mm	Double Frame System with 80mm depth Frame D:870mm	Double Frame System with 80mm depth Frame D:1070mm	Single Frame with 160mm depth Frame D: 460mm
LN-RAF-RMO-1U20-CC	1U D=200mm 19" Rack Mount Shelf, 2 point fixing, for all cabinets at 19" provision, Load Capacity 30 kg	●	●	●	●	●
LN-RAF-RMO-1U25-CC	1U D=250mm 19" Rack Mount Shelf, 2 point fixing, for all cabinets at 19" provision, Load Capacity 30 kg	●	●	●	●	●
LN-RAF-RMO-1U30-CC	1U D=300mm 19" Rack Mount Shelf, 2 point fixing, for all cabinets at 19" provision, Load Capacity 30 kg	●	●	●	●	●
LN-RAF-RMO-1U40-CC	1U D=400mm 19" Rack Mount Shelf, 2 point fixing, for all cabinets at 19" provision, Load Capacity 30 kg	●	●	●	●	●
LN-RAF-RMO-2U35-CC	2U D=350mm 19" Rack Mount Shelf, 2 point fixing, for all cabinets at 19" provision, Load Capacity 30 kg	●	●	●	●	●
LN-RAF-RMO-2U55-CC	2U D=550mm 19" Rack Mount Shelf, 2 point fixing, for all cabinets at 19" provision, Load Capacity 30 kg	●	●	●	●	●
LN-RAF-RMO-1UXX-CC	1U 19" Adapter part, 1set:2 pcs incl the fixing hardware, Allowing rack mount shelves to attach to rear 19" rails, Increasing the original load capacity of shelf		●	●	●	
LN-RAF-RMO-2U80-CC	2U D=570mm 19" Rack Mount Double way shelf, 4 point fixing, Fixed Shelf, Single Frame 80mm frame, usage at 19" provision, Load capacity 50 kg	●				
LN-RAF-RMO-2U160-CC	2U D=570mm 19" Rack Mount Double way shelf, 4 point fixing, Fixed Shelf, Single Frame 160mm frame, usage at 19" provision, Load capacity 50 kg					●

* CC= Color Code, LG Light Grey RAL 7035, BL Black RAL 9005, customers to define while ordering

RACK MOUNT SHELVES, 4 POINT FIXING		COMPATIBLE WITH				
		DYNAframe Frame Systems W 530 x D (Depth) mm				
Part Number*	Product Description	Single Frame with 80mm depth Frame D: 380mm	Double Frame System with 80mm depth Frame D:670mm	Double Frame System with 80mm depth Frame D:870mm	Double Frame System with 80mm depth Frame D:1070mm	Single Frame with 160mm depth Frame D: 460mm
LN-RAF-RMC-1I35-CC	1U 19" frontal, 1 U 19" rear assembly, adjustable rear 19" brackets, D=350mm, for all cabinets at 19" provision, Load Capacity 50 kg		●	●		
LN-RAF-RMC-2I35-CC	2U 19" frontal, 1 U 19" rear assembly, adjustable rear 19" brackets, D=350mm, for all cabinets at 19" provision, Load Capacity 50 kg		●	●		
LN-RAF-RMC-1I45-CC	1U 19" frontal, 1 U 19" rear assembly, adjustable rear 19" brackets, D=450mm, for all cabinets at 19" provision, Load Capacity 50 kg		●	●	●	
LN-RAF-RMC-2I45-CC	2U 19" frontal, 1 U 19" rear assembly, adjustable rear 19" brackets, D=450mm, for all cabinets at 19" provision, Load Capacity 50 kg		●	●	●	
LN-RAF-RMC-2I55-CC	2U 19" frontal, 1 U 19" rear assembly, adjustable rear 19" brackets, D=550mm, for all cabinets at 19" provision, Load Capacity 50 kg				●	
LN-RAF-RMC-2I65-CC	2U 19" frontal, 1 U 19" rear assembly, adjustable rear 19" brackets, D=650mm, for all cabinets at 19" provision, Load Capacity 50 kg				●	

* CC= Color Code, LG Light Grey RAL 7035, BL Black RAL 9005, customers to define while ordering

HORIZONTAL CABLE MANAGEMENT ACCESSORIES		COMPATIBLE WITH				
		DYNAframe Frame Systems W 530 x D (Depth) mm				
Part Number*	Product Description	Single Frame with 80mm depth Frame D: 380mm	Double Frame System with 80mm depth Frame D:670mm	Double Frame System with 80mm depth Frame D:870mm	Double Frame System with 80mm depth Frame D:1070mm	Single Frame with 160mm depth Frame D: 460mm
LN-KDG-YKD-IUKN-CC	1U 19" cable management panel 5 rings	●	●	●	●	●
LN-KDG-YKD-IUKT-CC	1U 19" cable management panel, channel type, removable front cover plate with clips	●	●	●	●	●
LN-KDG-YKD-IUKZ-CC	1U 19" cable management panel, channel type, removable insert type sliding cover plate	●	●	●	●	●
LN-KDG-YKD-IUFO-CC	1U 19" cable management panel for patchcord entry, brushed type, with L rear bend patchcord holder and tire up panel	●	●	●	●	●
LN-KDG-YKD-2UKA-CC	2U 19" cable management panel, channel type, removable angled front cover plate, front cover plate is toolless	●	●	●	●	●
LN-KDG-YKD-2UFT-CC	2U 19" cable management panel, channel type, Finger Style PVC organizer integrated, up/down opening toolless front cover plate 2U	●	●	●	●	●

* CC= Color Code, LG Light Grey RAL 7035, BL Black RAL 9005, customers to define while ordering.

We have
standards
real
19"

Rack Cabinet Production Center



Please Measure!

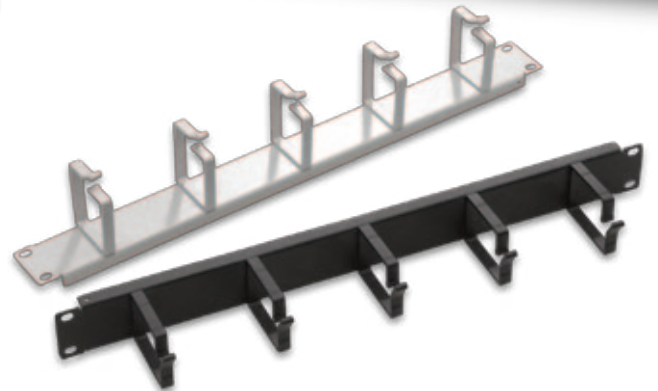
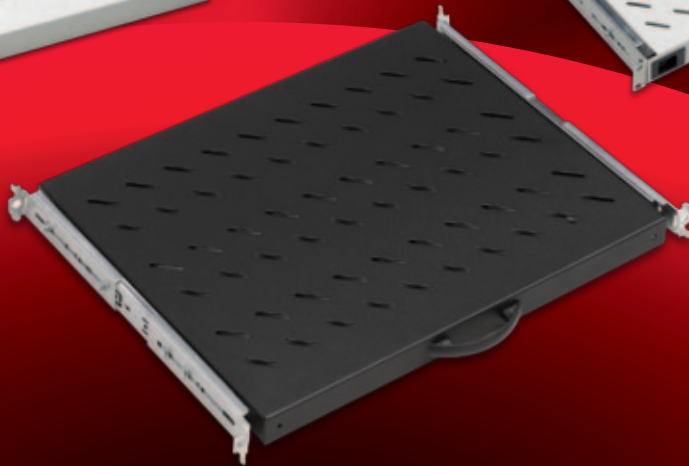
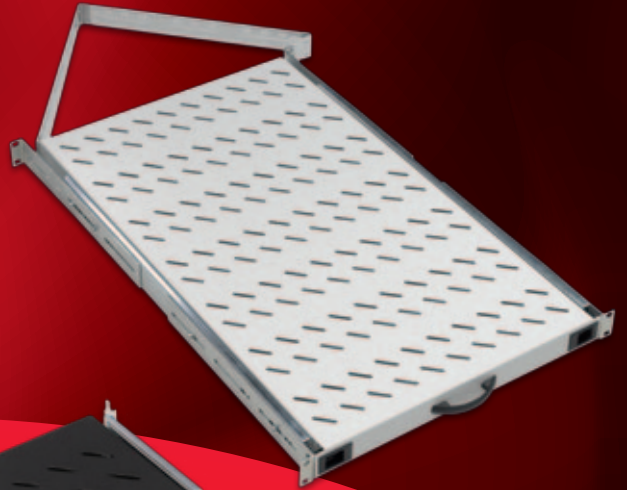
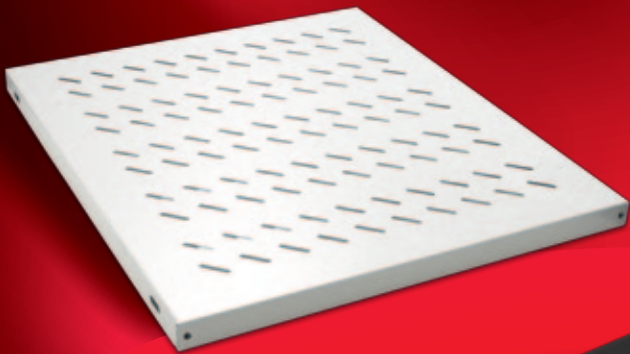


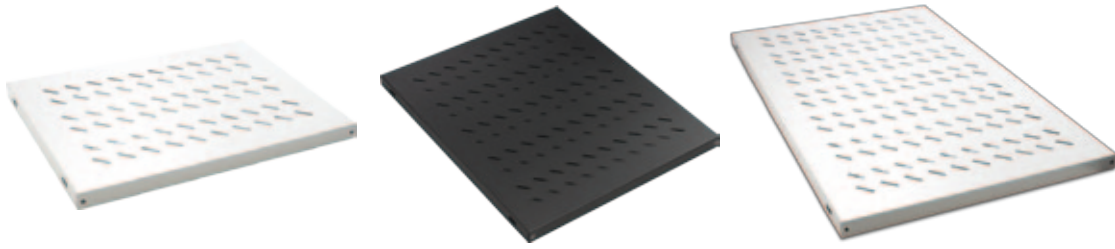
Esperienza' e' solo il nome che
noi diamo ai nostri errori!

Experience' is the name we
give to our mistakes!

Italian Proverb

ACCESSORIES

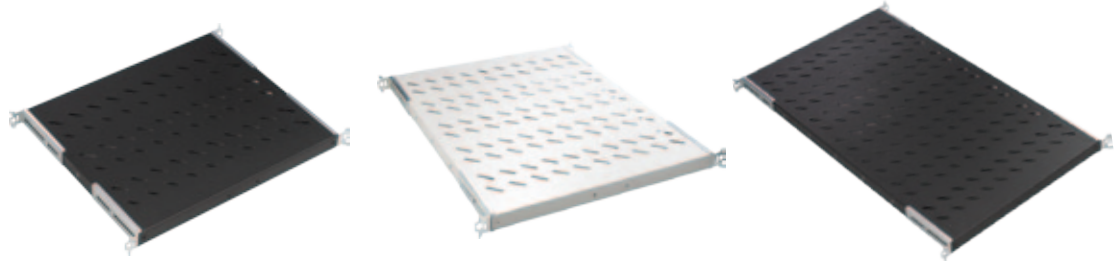




Fixed Shelves, 4 point fixing, Compatible with Lande cabinet. For allowing the convection of heated air inside cabinets, the shelves are structured with ventilation slots. Supply is in RAL 9005 Black and RAL 7035 Light Grey colors. From Steel Material, with high technology bending strengthening accessory, Load capacity 50 kg.

FIXED SHELVES 4 POINT FIXING	Logistics Data						COMPATIBLE WITH																					
							DYNAMIC Series Free Standing Cabinets W (Width) x D (Depth) mm		DYNAMax Series Free Standing Server Cabinets W (Width) x D (Depth) mm		NETBox Series Wall Mounting Cabinets W (Width) x D (Depth) mm		19" NETBox Series SOHO Cabinets W (Width) x D (Depth) mm		10" NETBox Series SOHO Cabinets W (Width) x D (Depth) mm		19" NETBox Home Series Cabinets W (Width) x D (Depth) mm		NETBox Slim Series Cabinets W (Width) x D (Depth) mm		DYNAMFrame Frame Systems W 530 x D (Depth) mm							
Part Number* and Product Description	Product Dimensions mm	Pack Dimensions mm	Product Net Weight kg	Product Gross Weight kg	QTY in Box pcs	Box Dimensions mm	Box Gross Weight kg	600x600	600x800	600x1000	800x600	800x800	800x1000	600x1000	800x1000	600x450	600x600	600x450+150	540x300	540x400	312x300	600x150	600x300	522x480	Single Frame with 80mm depth	Double Frame System with 80mm depth	Double Frame System with 160mm depth	
LN-RAF-SBT-D600-CC Fixed Shelf, 4 point fixing, Physical Shelf Depth:370mm for D=600mm cabinets, Load Capacity 50 kg	486x370x30	510x380x35	1,8	2	12	550x430x480	25,5	●			●							**										
LN-RAF-SBT-D800-CC Fixed Shelf, 4 point fixing, Physical Shelf Depth:570mm for D=800mm cabinets, Load Capacity 50 kg	486x570x30	500x590x35	2,5	3	12	550x450x630	38		●			●																
LN-RAF-SBT-D100-CC Fixed Shelf, 4 point fixing, Physical Shelf Depth:770mm for D=1000mm cabinets, Load Capacity 50 kg	486x770x30	500x795x37	3,5	3,9	10	550x440x800	42		●			●	●	●														

* CC= Color Code, LG Light Grey RAL 7035, BL Black RAL 9005, customers to define while ordering. ** Please order set of 19" equipment mounting rails.



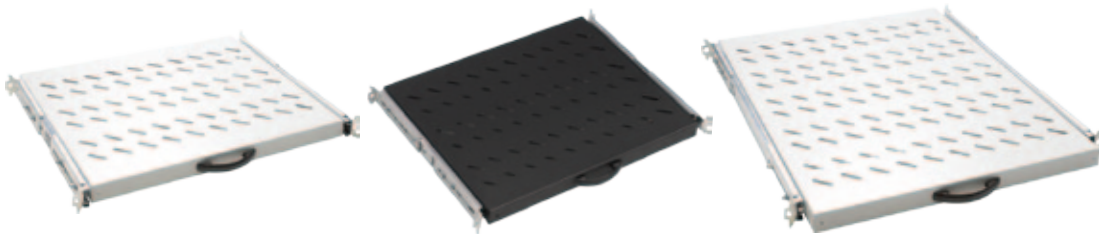
Fixed Shelves, 4 point fixing, Compatible with all brand cabinets Multivendor. Adjustable brackets at depth. For allowing the convection of heated air inside cabinets, the shelves are structured with ventilation slots. Supply is in RAL 9005 Black and RAL 7035 Light Grey colors. From Steel Material, with high technology bending strengthening accessory, Load capacity 50 kg.

FIXED SHELVES, 4 POINT FIXING_ UNIVERSAL MODEL, MULTIVENDOR, compatible with any brand cabinet	Logistics Data						COMPATIBLE WITH																					
							DYNAMIC Series Free Standing Cabinets W (Width) x D (Depth) mm		DYNAMax Series Free Standing Server Cabinets W (Width) x D (Depth) mm		NETBox Series Wall Mounting Cabinets W (Width) x D (Depth) mm		19" NETBox Series SOHO Cabinets W (Width) x D (Depth) mm		10" NETBox Series SOHO Cabinets W (Width) x D (Depth) mm		19" NETBox Home Series Cabinets W (Width) x D (Depth) mm		NETBox Slim Series Cabinets W (Width) x D (Depth) mm		DYNAMFrame Frame Systems W 530 x D (Depth) mm							
Part Number* and Product Description	Product Dimensions mm	Pack Dimensions mm	Product Net Weight kg	Product Gross Weight kg	QTY in Box pcs	Box Dimensions mm	Box Gross Weight kg	600x600	600x800	600x1000	800x600	800x800	800x1000	600x1000	800x1000	600x450	600x600	600x450+150	540x300	540x400	312x300	600x150	600x300	522x480	Single Frame with 80mm depth	Double Frame System with 80mm depth	Double Frame System with 160mm depth	
LN-RAF-SBT-D600-CC-UNV Fixed Shelf, 19" 1U Metal Bracket, 4 point fixing, Physical Shelf Depth:370mm for D=600mm cabinets, Load Capacity 50 kg Universal Model, Compatible with any brand cabinet	486x370x44	510x390x43	2	2,4	10	550x430x480	26	●			●							**								●		
LN-RAF-SBT-D800-CC-UNV Fixed Shelf, 19" 1U Metal Bracket, 4 point fixing, Physical Shelf Depth:570mm for D=800mm cabinets, Load Capacity 50 kg Universal Model, Compatible with any brand cabinet	486x570x44	490x610x43	3	3,4	10	550x450x630	36		●			●															●	
LN-RAF-SBT-D100-CC-UNV Fixed Shelf, 19" 1U Metal Bracket, 4 point fixing, Physical Shelf Depth:770mm for D=1000mm cabinets, Load Capacity 50 kg Universal Model, Compatible with any brand cabinet	486x770x44	500x795x37	3,6	4	10	550x440x800	43		●			●	●	●														●

* CC= Color Code, LG Light Grey RAL 7035, BL Black RAL 9005, customers to define while ordering. ** Please order set of 19" equipment mounting rails.

ACCESSORIES

SLIDING SHELVES - SUPPORT RAILS



Sliding Shelves, 4 point fixing, Compatible with all brand cabinets Multivendor. Adjustable brackets at depth. For allowing the convection of heated air inside cabinets, the shelves are structured with ventilation slots. Supply is in RAL 9005 Black and RAL 7035 Light Grey colors. From Steel Material, with high technology bending strengthening accessory, Load capacity 30 kg.

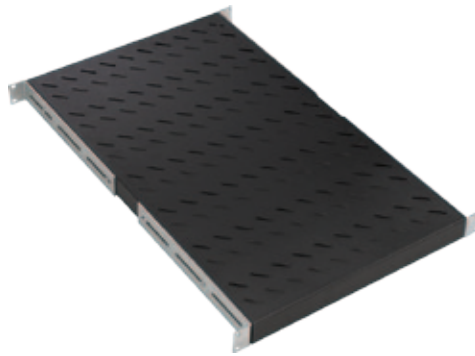
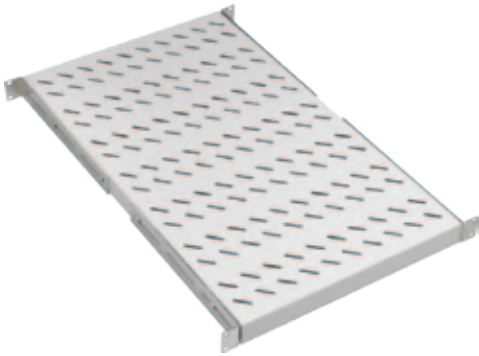
SLIDING SHELVES 4 POINT FIXING, MULTIVENDOR, compatible with any brand cabinet	Logistics Data						COMPATIBLE WITH																						
							DYNAMIC Series Free Standing Cabinets W (Width) x D (Depth) mm	DYNAMAX Series Free Standing Server Cabinets W (Width) x D (Depth) mm	NETBox Series Wall Mounting Cabinets W (Width) x D (Depth) mm	19" NETBox Series SOHO Cabinets W (Width) x D (Depth) mm	10" NETBox Series SOHO Cabinets W (Width) x D (Depth) mm	19" NETBox Home Series Cabinets W (Width) x D (Depth) mm	NETBox Slim Series Cabinets W (Width) x D (Depth) mm	DYNAMFrame Frame Systems W 530 x D (Depth) mm															
Part Number* and Product Description	Product Dimensions mm	Pack Dimensions mm	Product Net Weight kg	Product Gross Weight kg	QTY in Box pcs	Box Dimensions mm	Box Gross Weight kg	600x600	600x800	600x1000	800x600	800x800	800x1000	600x1000	800x1000	600x450	600x600	600x450+150	540x300	540x400	312x300	600x150	600x300	522x480	Single Frame with 80mm depth	Double Frame System with 80mm depth	Double Frame System with 160mm depth	Single Frame with 160mm depth	
LN-RAF-HRK-D600-CC Sliding Shelf, 4 point fixing, Physical Shelf Depth:370mm for D=600mm cabinets, Load Capacity 30 kg, Compatible with any brand cabinet	486x350x44	510x390x43	2,4	2,7	10	550x430x480	30	●			●						**									●			
LN-RAF-HRK-D800-CC Sliding Shelf, 4 point fixing, Physical Shelf Depth:570mm for D=800mm cabinets, Load Capacity 30 kg, Compatible with any brand cabinet	486x550x44	490x610x43	3,3	3,6	10	550x450x630	38	●			●															●			

* CC= Color Code, LG Light Grey RAL 7035, BL Black RAL 9005, customers to define while ordering. ** Please order set of 19" equipment mounting rails.



L shaped Support Rails connecting the front and rear 19" rails, Rack mount equipments, shelves or equipments without 19" assembly brackets safely could be housed inside the cabinet with the accessory. Corrosion resistance gained by 8-12 micron zinc plating. Load Capacity 100 kg.

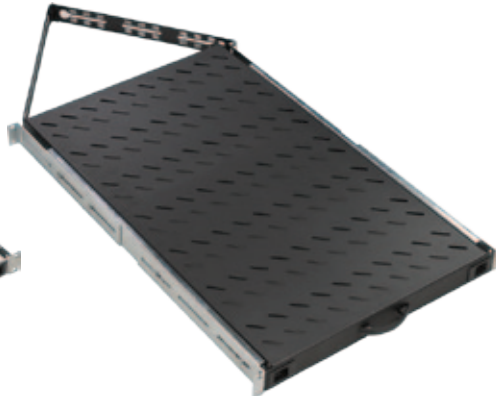
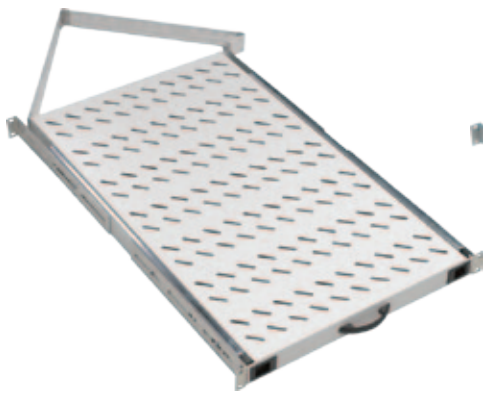
L SUPPORT RAILS	Logistics Data						COMPATIBLE WITH																						
							DYNAMIC Series Free Standing Cabinets W (Width) x D (Depth) mm	DYNAMAX Series Free Standing Server Cabinets W (Width) x D (Depth) mm	NETBox Series Wall Mounting Cabinets W (Width) x D (Depth) mm	19" NETBox Series SOHO Cabinets W (Width) x D (Depth) mm	10" NETBox Series SOHO Cabinets W (Width) x D (Depth) mm	19" NETBox Home Series Cabinets W (Width) x D (Depth) mm	NETBox Slim Series Cabinets W (Width) x D (Depth) mm	DYNAMFrame Frame Systems W 530 x D (Depth) mm															
Part Number and Product Description	Product Dimensions mm	Pack Dimensions mm	Product Net Weight kg	Product Gross Weight kg	QTY in Box pcs	Box Dimensions mm	Box Gross Weight kg	600x600	600x800	600x1000	800x600	800x800	800x1000	600x1000	800x1000	600x450	600x600	600x450+150	540x300	540x400	312x300	600x150	600x300	522x480	Single Frame with 80mm depth	Double Frame System with 80mm depth	Double Frame System with 160mm depth	Single Frame with 160mm depth	
LN-RAF-RAY-D600-ZN L support Rail for D=600mm cabinets, zinc plated 8-12 micron, Physical L support Rail Depth:350mm	44x350x44	55x400x55	0,8	1,1	1	55x400x55	1,1	●			●																		
LN-RAF-RAY-D800-ZN L support Rail for D=800mm cabinets, zinc plated 8-12 micron, Physical L support Rail Depth:570mm	44x570x44	55x610x55	1,3	1,6	1	55x610x55	1,6	●			●																		
LN-RAF-RAY-D100-ZN L support Rail for D=1000mm cabinets, zinc plated 8-12 micron, Physical L support Rail Depth:720mm	44x720x44	55x750x55	1,6	2	1	55x750x55	2		●			●	●	●															



Heavy Duty Fixed Shelves, 4 point fixing, Compatible with all brand cabinets. Multivendor. For allowing the convection of heated air inside cabinets, the shelves are structured with ventilation slots. 1U sized. Adjustable brackets at depth. With this feature the item can be assembled to any brand cabinet. Supply is in RAL 9005 Black and RAL 7035 Light Grey colors. From Steel Material, with high technology bending strengthening accessory, Load capacity 100 kg.

FIXED SHELVES 4 POINT FIXING, HEAVY DUTY TYPE	Logistics Data							COMPATIBLE WITH																					
								DYNAMIC Series Free Standing Cabinets W (Width) x D (Depth) mm	DYNAMax Series Free Standing Server Cabinets W (Width) x D (Depth) mm	NETBox Series Wall Mounting Cabinets W (Width) x D (Depth) mm	19" NE TBox Series SOHO Cabinets W (Width) x D (Depth) mm	10" NE TBox Series SOHO Cabinets W (Width) x D (Depth) mm	19" NE TBox Home Series Cabinets W (Width) x D (Depth) mm	NETBox Slim Series Cabinets W (Width) x D (Depth) mm	Single Frame with 80mm depth Frame		Double Frame System with 80mm depth Frame D:670mm		Double Frame System with 80mm depth Frame D:870mm		Double Frame System with 80mm depth Frame D:1070mm								
Part Number* and Product Description	Product Dimentions mm	Pack Dimentions mm	Product Net Weight kg	Product Gross Weight kg	QTY in Box pcs	Box Dimentions mm	Box Gross Weight kg	600x600	600x800	600x1000	800x600	800x800	800x1000	600x1000	800x1000	600x450	600x600	600x450+150	540x300	540x400	312x300	600x150	600x300	522x480	Single Frame with 80mm depth Frame	Double Frame System with 80mm depth Frame D:670mm	Double Frame System with 80mm depth Frame D:870mm	Double Frame System with 80mm depth Frame D:1070mm	Single Frame with 160mm depth Frame
LN-RAF-SBA-DI00-CC Heavy Duty Fixed Shelf, 1U 19", 4 point fixing, Physical Shelf Depth:720mm for D=1000mm cabinets. Load Capacity 100 kg	486x720x44	490x750x50	4,2	4,7	8	550x440x800	41		●			●	●	●														●	

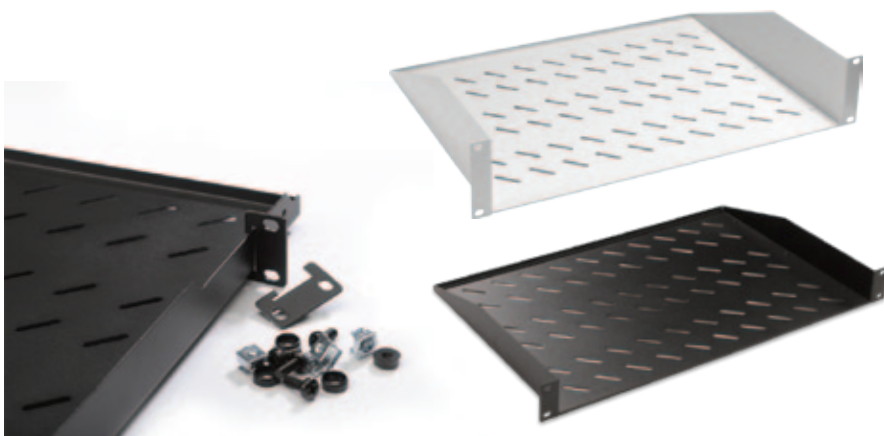
* CC= Color Code, LG Light Grey RAL 7035, BL Black RAL 9005, customers to define while ordering.



Heavy Duty Sliding Shelves, 4 point fixing, Compatible with all brand cabinets. Multivendor. For allowing the convection of heated air inside cabinets, the shelves are structured with ventilation slots. 1U sized. Adjustable brackets at depth. With this feature the item can be assembled to any brand cabinet. Supply is in RAL 9005 Black and RAL 7035 Light Grey colors. From Steel Material, with high technology bending strengthening accessory, Load capacity 50 kg.

SLIDING SHELVES 4 POINT FIXING, HEAVY DUTY TYPE	Logistics Data							COMPATIBLE WITH																					
								DYNAMIC Series Free Standing Cabinets W (Width) x D (Depth) mm	DYNAMax Series Free Standing Server Cabinets W (Width) x D (Depth) mm	NETBox Series Wall Mounting Cabinets W (Width) x D (Depth) mm	19" NE TBox Series SOHO Cabinets W (Width) x D (Depth) mm	10" NE TBox Series SOHO Cabinets W (Width) x D (Depth) mm	19" NE TBox Home Series Cabinets W (Width) x D (Depth) mm	NETBox Slim Series Cabinets W (Width) x D (Depth) mm	Single Frame with 80mm depth Frame		Double Frame System with 80mm depth Frame D:670mm		Double Frame System with 80mm depth Frame D:870mm		Double Frame System with 80mm depth Frame D:1070mm								
Part Number *and Product Description	Product Dimentions mm	Pack Dimentions mm	Product Net Weight kg	Product Gross Weight kg	QTY in Box pcs	Box Dimentions mm	Box Gross Weight kg	600x600	600x800	600x1000	800x600	800x800	800x1000	600x1000	800x1000	600x450	600x600	600x450+150	540x300	540x400	312x300	600x150	600x300	522x480	Single Frame with 80mm depth Frame	Double Frame System with 80mm depth Frame D:670mm	Double Frame System with 80mm depth Frame D:870mm	Double Frame System with 80mm depth Frame D:1070mm	Single Frame with 160mm depth Frame
LN-RAF-HRA-DI00-CC Heavy Duty Sliding Shelf, 1U 19", 4 point fixing, Physical Shelf Depth:720mm for D=1000mm cabinets. Load Capacity 50 kg, full telescopic	486x720x44	490x750x50	6,1	6,7	8	550x440x800	57			●			●	●	●													●	

* CC= Color Code, LG Light Grey RAL 7035, BL Black RAL 9005, customers to define while ordering.



The assembly should be fronted to the equipment mounting rails to increase the load capacity of shelf. Supply is in RAL 9005 Black and RAL 7035 Light Grey colors. From Steel Material.

2U 19" Doubleway shelf, central assembly to the frame of frame System DYNAmes, supply is in RAL 9005 Black and RAL 7035 Light Grey colors. From Steel Material, with high technology bending strengthening accessory, Load capacity 30 kg

equipment mounting rails to increase the load capacity of shelf. Supply is in RAL 9005 Black and RAL 7035 Light Grey colors. From Steel Material.

2U 19" Doubleway shelf, central assembly to the frame of frame System DYNAmes, supply is in RAL 9005 Black and RAL 7035 Light Grey colors. From Steel Material, with high technology bending strengthening accessory, Load capacity 50 kg

1U size, bracket, an accessory for assembling to rear

RACK MOUNT SHELVES 2 POINT FIXING	Logistics Data						COMPATIBLE WITH																				
							COMPATIBLE WITH DYNAmes Series Free Standing Cabinets			DYNAmes Series Free Standing Server Cabinets			NETbox Series Wall Mounting Cabinets			19" NETbox Series SOHO Cabinets			19" NETbox Home Series Cabinets			NETbox Slim Series Cabinets			DYNAmes Frame Systems		
Part Number* and Product Description	Product Dimensions mm	Pack Dimensions mm	Product Net Weight kg	Product Gross Weight kg	QTY in Box pcs	Box Dimensions mm	600x600	600x800	600x1000	800x600	800x800	800x1000	600x1000	600x450	600x600	600x450+150	540x300	540x400	312x300	600x150	600x300	522x480	Single Frame with 80mm depth Frame	Double Frame System with 80mm depth Frame D:670mm	Double Frame System with 80mm depth Frame D:870mm	Double Frame System with 80mm depth Frame D:1070mm	Single Frame with 160mm depth Frame
LN-RAF-RMO-1U20-CC 1U D=200mm 19" Rack Mount Shelf, 2 point fixing, for all cabinets at 19" provision, Load Capacity 30 kg	486x200x44	510x240x50	0,9	1,1	10	545x425x400	●	●	●	●	●	●	●	●	●	●	●	●			●		●	●	●	●	●
LN-RAF-RMO-1U25-CC 1U D=250mm 19" Rack Mount Shelf, 2 point fixing, for all cabinets at 19" provision, Load Capacity 30 kg	486x250x44	510x280x50	1,1	1,3	10	545x425x400	●	●	●	●	●	●	●	●	●	●	●	●					●	●	●	●	●
LN-RAF-RMO-1U30-CC 1U D=300mm 19" Rack Mount Shelf, 2 point fixing, for all cabinets at 19" provision, Load Capacity 30 kg	486x300x44	505x305x50	1,3	1,6	9	545x425x400	●	●	●	●	●	●	●	●	●	●	●	●					●	●	●	●	●
LN-RAF-RMO-1U40-CC 1U D=400mm 19" Rack Mount Shelf, 2 point fixing, for all cabinets at 19" provision, Load Capacity 30 kg	486x400x44	515x415x55	1,7	2,1	8	545x425x400	●	●	●	●	●	●	●	●	●	●	●	●					●	●	●	●	●
LN-RAF-RMO-2U35-CC 2U D=350mm 19" Rack Mount Shelf, 2 point fixing, for all cabinets at 19" provision, Load Capacity 30 kg	486x350x88	510x360x90	2,1	2,4	4	545x425x400	●	●	●	●	●	●	●		●	●							●	●	●	●	●
LN-RAF-RMO-2U55-CC 2U D=550mm 19" Rack Mount Shelf, 2 point fixing, for all cabinets at 19" provision, Load Capacity 30 kg	486x550x88	500x595x100	3,3	3,8	4	550x450x630	●	●	●	●	●	●	●										●	●	●	●	●
LN-RAF-RMO-1UXX-CC 1U 19" Adapter part, 1set:2 pcs incl the fixing hardware, Allowing rack mount shelves to attach to rear 19" rails, Increasing the original load capacity of shelf	1U	270x165x50	0,2	0,2	10	270x165x50	●	●	●	●	●	●	●											●	●	●	●
LN-RAF-RMO-2U80-CC 2U D=570mm 19" Rack Mount Double way shelf, 4 point fixing, Fixed Shelf, Single Frame 80mm frame, usage at 19" provision, Load capacity 50 kg	486x570x88	683x490x90	3,8	4,2	4	550x440x800																	●				
LN-RAF-RMO-2U160-CC 2U D=570mm 19" Rack Mount Double way shelf, 4 point fixing, Fixed Shelf, Single Frame 160mm frame, usage at 19" provision, Load capacity 50 kg	486x570x88	683x490x90	4	4,5	4	550x440x800																					●

* CC= Color Code, LG Light Grey RAL 7035, BL Black RAL 9005, customers to define while ordering.



Frontal assembly to the 19" equipment mounting rails, the rear adjustable brackets allows the rear assembly to the rear 19" equipment mounting rails, providing 4 point assembly. For allowing the convection of heated air inside cabinets, the shelves are structured with ventilation slots. Supply is in RAL 9005 Black and RAL 7035 Light Grey colors. . From Steel Material, with high technology bending strengthening accessory, Load capacity 50 kg

RACK MOUNT SHELVES, 4 POINT FIXING	Logistics Data										COMPATIBLE WITH																			
											DYNAMIC Series Free Standing Cabinets W (Width) x D (Depth) mm		DYNAMIC Series Free Standing Server Cabinets W (Width) x D (Depth) mm		NE Tbox Series Wall Mounting Cabinets W (Width) x D (Depth) mm		19" NE Tbox Series SOHO Cabinets W (Width) x D (Depth) mm		10" NE Tbox Series SOHO Cabinets W (Width) x D (Depth) mm		19" NE Tbox Home Series Cabinets W (Width) x D (Depth) mm		NE Tbox Slim Series Cabinets W (Width) x D (Depth) mm		DYNAMIC Frame Systems W 530 x D (Depth) mm					
Part Number* and Product Description	Product Dimensions mm	Pack Dimensions mm	Product Net Weight kg	Product Gross Weight kg	QTY in Box pcs	Box Dimensions mm	Box Gross Weight kg	600x600	600x800	600x1000	800x600	800x800	800x1000	600x1000	800x1000	600x450	600x600	600x450+150	540x300	540x400	312x300	600x150	600x300	522x480	Single Frame with 80mm depth Frame	Double Frame System with 80mm depth Frame D:670mm	Double Frame System with 80mm depth Frame D:870mm	Double Frame System with 80mm depth Frame D:1070mm	Single Frame with 160mm depth Frame	
LN-RAF-RMC-1135-CC 1U 19" frontal, 1 U 19" rear assembly, adjustable rear 19" brackets, D=350mm , for all cabinets at 19" provision, Load Capacity 50 kg	486x350x44	510x410x55	2,2	2,6	7	550x430x480	20,3	●	●	●	●	●	●	●	●											●	●			
LN-RAF-RMC-2135-CC 2U 19" frontal, 1 U 19" rear assembly, adjustable rear 19" brackets, D=350mm , for all cabinets at 19" provision, Load Capacity 50 kg	486x350x88	510x360x100	2,1	2,4	4	545x425x400	11,5	●	●	●	●	●	●	●	●											●	●			
LN-RAF-RMC-1145-CC 1U 19" frontal, 1 U 19" rear assembly, adjustable rear 19" brackets, D=450mm , for all cabinets at 19" provision, Load Capacity 50 kg	486x450x44	558x475x57	2,4	2,7	7	550x450x630	21	●	●	●	●	●	●	●	●											●	●	●		
LN-RAF-RMC-2145-CC 2U 19" frontal, 1 U 19" rear assembly, adjustable rear 19" brackets, D=450mm , for all cabinets at 19" provision, Load Capacity 50 kg	486x450x88	595x500x100	2,7	3,1	4	550x450x630	14,5	●	●	●	●	●	●	●	●											●	●	●		
LN-RAF-RMC-2155-CC 2U 19" frontal, 1 U 19" rear assembly, adjustable rear 19" brackets, D=550mm , for all cabinets at 19" provision, Load Capacity 50 kg	486x550x88	595x500x100	3,3	3,7	4	550x450x630	17			●			●	●	●													●		
LN-RAF-RMC-2165-CC 2U 19" frontal, 1 U 19" rear assembly, adjustable rear 19" brackets, D=650mm , for all cabinets at 19" provision, Load Capacity 50 kg	486x650x88	683x490x90	3,5	4	4	550x440x800	18,5			●			●	●	●													●		
LN-RAF-RMO-1UXX-CC 1U 19" Adapter part, 1 set: 2 pcs incl the fixing hardware, Allowing rack mount shelves to attach to rear 19" rails, Increasing the original load capacity of shelf	1U 270x165x50	270x165x50	0,2	0,2	10	270x165x50	2,4	●	●	●	●	●	●	●	●										●	●	●			

* CC= Color Code, LG Light Grey RAL 7035, BL Black RAL 9005, customers to define while ordering. ** Please order set of 19" equipment mounting rails.

خبرتتنا سمعتنا

Our experience is
our reputation

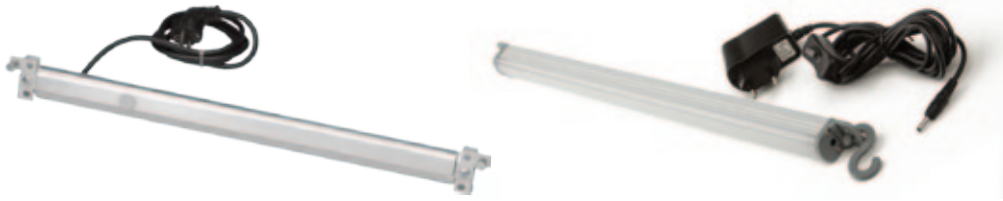
Proverb of Jordan



ACCESSORIES

SENSED and CORD SWITCHED LIGHTING MODULES

BASE GROUP: CASTER, FEET, FLOOR FIXING KIT



There are 2 models of LED lighting units for cabinets. 19" 1U, turning function up/down, automatically operating once door is open, closing once door is closed or no movement detected in 60 seconds. Other Model is LED lighting 19" with cord switch equipped with magnets and hook. Where can be hanged or stuck on any metal part of cabinet. 220VAC.

SENSORED LIGHTING MODULE	Logistics Data										COMPATIBLE WITH																		
											DYNAmic Series Free Standing Cabinets W (Width) x D (Depth) mm	DYNAmic Series Free Standing Server Cabinets W (Width) x D (Depth) mm	NETBox Series Wall Mounting Cabinets W (Width) x D (Depth) mm	19" NETBox Series SOHO Cabinets W (Width) x D (Depth) mm	10" NETBox Series SOHO Cabinets W (Width) x D (Depth) mm	19" NETBox Home Series Cabinets W (Width) x D (Depth) mm	NETBox Slim Series Cabinets W (Width) x D (Depth) mm	DYNAframe Frame Systems W 530 x D (Depth) mm											
Part Number and Product Description	Product Dimensions mm	Pack Dimensions mm	Product Net Weight kg	Product Gross Weight kg	QTY in Box pcs	Box Dimensions mm	Box Gross Weight kg	600x600	600x800	600x1000	800x600	800x800	800x1000	600x1000	800x1000	600x450	600x600	600x450+150	540x300	540x400	3 L2x300	600x150	600x300	522x480	Single Frame with 80mm depth Frame	Double Frame System with 80mm depth Frame D:670mm	Double Frame System with 80mm depth Frame D:870mm	Double Frame System with 80mm depth Frame D:1070mm	Single Frame with 160mm depth Frame
LN-DGR-AYD-1UOT-XX Lighting Module 1U 19", Door switched sensor - automatically operating once doors are open, LED LIGHTING, Turning function up/down	482x35x44	500x150x55	0,48	0,65	32	545x425x400	22	●	●	●	●	●	●	●	●	●	●	●	●	●		●	●	●					
LN-DGR-AYD-1UMG-XX Lighting Module 1U 19", Cord switched, magnet equipped, with hook system.	450x23x24	540x145x65	0,26	0,5	20	545x425x400	11	●	●	●	●	●	●	●	●	●	●	●	●	●		●	●	●	●				

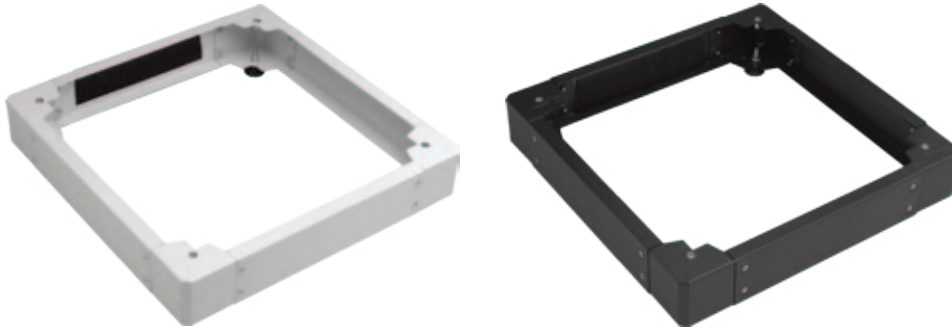


Adjustable feet group, and 360 degree full mobile on y axis caster sets, each set is of 4 which 2 are with brakes, 2 are without brakes.

Floor Fixing Kits integration to W=600 and W=800mm DYNAmic cabinets while product is in use with leveling feet, for purpose of Securing the cabinet against tilting risk and vibration. From Steel Material, Supply is in RAL 9005 Black and RAL 7035 Light Grey colors.

BASE GROUP: CASTER, FEET, FLOOR FIXING KIT	Logistics Data										COMPATIBLE WITH																		
											DYNAmic Series Free Standing Cabinets W (Width) x D (Depth) mm	DYNAmic Series Free Standing Server Cabinets W (Width) x D (Depth) mm	NETBox Series Wall Mounting Cabinets W (Width) x D (Depth) mm	19" NETBox Series SOHO Cabinets W (Width) x D (Depth) mm	10" NETBox Series SOHO Cabinets W (Width) x D (Depth) mm	19" NETBox Home Series Cabinets W (Width) x D (Depth) mm	NETBox Slim Series Cabinets W (Width) x D (Depth) mm	DYNAframe Frame Systems W 530 x D (Depth) mm											
Part Number* and Product Description	Product Dimensions mm	Pack Dimensions mm	Product Net Weight kg	Product Gross Weight kg	QTY in Box pcs	Box Dimensions mm	Box Gross Weight kg	600x600	600x800	600x1000	800x600	800x800	800x1000	600x1000	800x1000	600x450	600x600	600x450+150	540x300	540x400	3 L2x300	600x150	600x300	522x480	Single Frame with 80mm depth Frame	Double Frame System with 80mm depth Frame D:670mm	Double Frame System with 80mm depth Frame D:870mm	Double Frame System with 80mm depth Frame D:1070mm	Single Frame with 160mm depth Frame
LN-ZMN-TKR-5525-XX Free Standing Caster Set, 1 set=4 pcs, 2w/break, 2wo/break. Load capacity 250kgs per caster.	55x25	200x1145x95	2	2,2	6	560x425x122	14,2	●	●	●	●	●	●	●	●	●	●	●	●	●									
LN-ZMN-PNY-1040-XX PVC Leveling Feet Group 1 set=4 pcs, M10. Load capacity 250kgs per fit.	M10x35	80x82x100	0,2	0,3	30	560x425x122	10	●	●	●	●	●	●	●	●	●	●	●	●	●		●	●	●	●				
LN-ZMN-TKR-5020-XX Caster Set 1 set=4 pcs, M10 Single Point Fixing, for Wall Mounting Type cabinets. Load capacity 100kgs per caster.	M10	260x160x50	0,8	1	27	545x425x400	28									●	●	●	●	●									
LN-ZMN-TKR-5525-01 Caster Set, 1 set=4 pcs, 2w/break, 2wo/break for DYNAframe Open racks, Single point fixing. Load capacity 150kgs per caster.	M10	200x145x95	2	2,2	6	560x425x122	14,2									●	●	●	●	●					●	●	●	●	●
LN-ZMN-DPR-W600-CC W=600mm Floor Fixing Kit- 1 set 2 pcs, Front and rear application, suitable with PVC leveling Feet	575x125x30	600x145x50	3	3,5	1	600x145x50	3,5	●	●	●																			
LN-ZMN-DPR-W800-CC W=800mm Floor Fixing Kit- 1 set 2 pcs, Front and rear application, suitable with PVC leveling Feet	775x125x30	800x145x50	3,6	4	1	800x145x50	4				●	●	●																

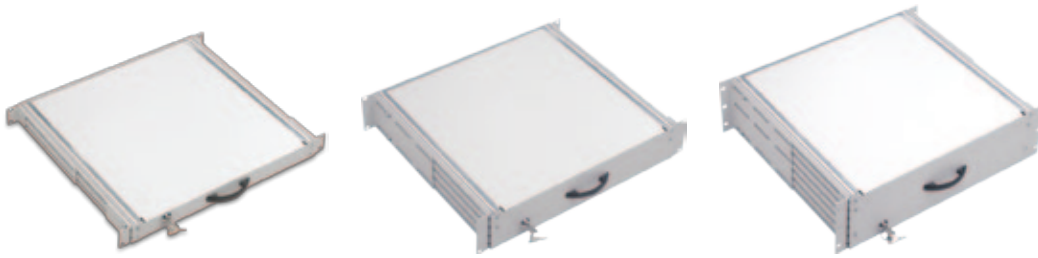
* CC= Color Code, LG Light Grey RAL 7035, BL Black RAL 9005, customers to define while ordering.



100 mm height, to integrate under bottom case of cabinet, with the intend of establishing cable reserve as well to raise cabinet to a certain height from the floor. The brushed entry at rear side allows cable entry from rear. Supply is in RAL 9005 Black and RAL 7035 Light Grey colors. From Steel Material, with high technology bending strengthening accessory, Load capacity 1000 kg

BASE GROUP; PLINTHS	Logistics Data						COMPATIBLE WITH																									
							DYNAmic Series Free Standing Cabinets W (Width) x D (Depth) mm	DYNAmic Series Free Standing Server Cabinets W (Width) x D (Depth) mm	NEIbox Series Wall Mounting Cabinets W (Width) x D (Depth) mm	19" NEIbox Series SOHO Cabinets W (Width) x D (Depth) mm	540x300	540x400	312x300	600x150	600x300	522x480	Single Frame with 80mm depth Frame	Double Frame System with 80mm depth Frame D:670mm	Double Frame System with 80mm depth Frame D:870mm	Double Frame System with 80mm depth Frame D:1070mm	Single Frame with 160mm depth Frame											
Part Number* and Product Description	Product Dimensions mm	Pack Dimensions mm	Product Net Weight kg	Product Gross Weight kg	QTY in Box pcs	Box Dimensions mm	Box Gross Weight kg	600x600	600x800	600x1000	800x600	800x800	800x1000	600x1000	800x1000	600x450	600x600	600x450+150	540x300	540x400	312x300	600x150	600x300	522x480	Single Frame with 80mm depth Frame	Double Frame System with 80mm depth Frame D:670mm	Double Frame System with 80mm depth Frame D:870mm	Double Frame System with 80mm depth Frame D:1070mm	Single Frame with 160mm depth Frame			
LN-ZMN-BAZ-6060-CC Plinth H=100mm W=600mm D=600mm Modular	600x600x100	620x620x110	5,2	6,3	1	620x620x110	6,3	●																								
LN-ZMN-BAZ-6080-CC Plinth H=100mm W=600mm D=800mm Modular	600x800x100	620x820x110	6,4	7,9	1	620x820x110	7,9	●																								
LN-ZMN-BAZ-6010-CC Plinth H=100mm W=600mm D=1000mm Modular	600x1000x100	620x1030x110	6,9	8,2	1	620x1030x110	8,2		●																							
LN-ZMN-BAZ-8060-CC Plinth H=100mm W=800mm D=600mm Modular	800x600x100	820x620x110	6,4	7,9	1	820x620x110	7,9			●																						
LN-ZMN-BAZ-8080-CC Plinth H=100mm W=800mm D=800mm Modular	800x800x100	820x820x110	7,2	8,9	1	820x820x110	8,9				●																					
LN-ZMN-BAZ-8010-CC Plinth H=100mm W=800mm D=1000mm Modular	800x1000x100	820x1030x110	7,5	9,2	1	820x1030x110	9,2					●																				
LN-ZMN-BAS-6010-CC Plinth H=100mm W=600mm D=1000mm Modular, for server cabinets	600x1000x100	620x1030x110	12,8	15,6	1	620x1030x110	15,6							●																		
LN-ZMN-BAS-8010-CC Plinth H=100mm W=800mm D=1000mm Modular, for server cabinets	800x1000x100	820x1030x110	14,5	17,6	1	820x1030x110	17,6								●																	

* CC= Color Code, LG Light Grey RAL 7035, BL Black RAL 9005, customers to define while ordering.



General purpose storage drawers, could house various user manuals, software CDs secure way. Additionally can be integrated with Keyboard. Adjustable in depth mechanic sliding brackets specially designed and formed from extruded aluminium material. Supply is in RAL 9005 Black and RAL 7035 Light Grey colors. Main Body is from Steel Material, with high technology bending strengthening accessory, Load capacity 50 kg.

GENERAL STORAGE DRAWERS	Logistics Data		COMPATIBLE WITH																										
			DYNAMIC Series Free Standing Cabinets W (Width) x D (Depth) mm	DYNAMAX Series Free Standing Server Cabinets W (Width) x D (Depth) mm	NETBox Series Wall Mounting Cabinets W (Width) x D (Depth) mm	19" NETBox Series SOHO Cabinets W (Width) x D (Depth) mm	10" NETBox Series SOHO Cabinets W (Width) x D (Depth) mm	19" NETBox Home Series Cabinets W (Width) x D (Depth) mm	NETBox Slim Series Cabinets W (Width) x D (Depth) mm	DYNAlframe Frame Systems W 530 x D (Depth) mm																			
Part Number* and Product Description	Product Dimensions mm	Pack Dimensions mm	Product Net Weight kg	Product Gross Weight kg	QTY in Box pcs	Box Dimensions mm	Box Gross Weight kg	600x600	600x800	600x1000	800x600	800x800	800x1000	600x1000	800x1000	600x450	600x600	600x450+150	540x300	540x400	312x300	600x150	600x300	522x480	Single Frame with 80mm depth Frame	Double Frame System with 80mm depth Frame D:670mm	Double Frame System with 80mm depth Frame D:870mm	Double Frame System with 80mm depth Frame D:1070mm	Single Frame with 160mm depth Frame
LN-RAF-CEK-1U40-CC 1U 19" Keyboard and General Storage Drawer D=400mm	482x405x44	515x415x55	3,6	4	6	545x425x400	26	●	●	●	●	●	●	●	●											●	●	●	
LN-RAF-CEK-2U40-CC 2U 19" Keyboard and General Storage Drawer D=400mm	482x405x88	515x425x100	5,5	6	4	545x425x400	26	●	●	●	●	●	●	●	●											●	●	●	
LN-RAF-CEK-3U40-CC 3U 19" Keyboard and General Storage Drawer D=400mm	482x405x130	515x425x150	7,1	7,7	3	550x430x480	25	●	●	●	●	●	●	●	●											●	●	●	

* CC= Color Code, LG Light Grey RAL 7035, BL Black RAL 9005, customers to define while ordering.



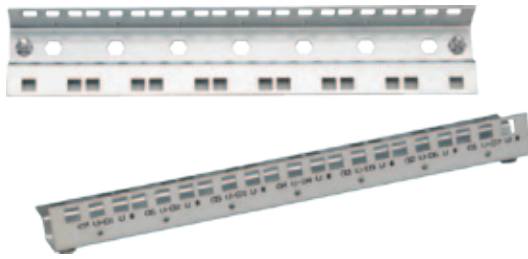
4pcs Grounding wires, 4mm diameter Yellow /Green, 40cm long, for purpose of main grounding and potential equalization use.

GROUNDING SETS	Logistics Data		COMPATIBLE WITH																										
			DYNAMIC Series Free Standing Cabinets W (Width) x D (Depth) mm	DYNAMAX Series Free Standing Server Cabinets W (Width) x D (Depth) mm	NETBox Series Wall Mounting Cabinets W (Width) x D (Depth) mm	19" NETBox Series SOHO Cabinets W (Width) x D (Depth) mm	10" NETBox Series SOHO Cabinets W (Width) x D (Depth) mm	19" NETBox Home Series Cabinets W (Width) x D (Depth) mm	NETBox Slim Series Cabinets W (Width) x D (Depth) mm	DYNAlframe Frame Systems W 530 x D (Depth) mm																			
Part Number* and Product Description	Product Dimensions mm	Pack Dimensions mm	Product Net Weight kg	Product Gross Weight kg	QTY in Box pcs	Box Dimensions mm	Box Gross Weight kg	600x600	600x800	600x1000	800x600	800x800	800x1000	600x1000	800x1000	600x450	600x600	600x450+150	540x300	540x400	312x300	600x150	600x300	522x480	Single Frame with 80mm depth Frame	Double Frame System with 80mm depth Frame D:670mm	Double Frame System with 80mm depth Frame D:870mm	Double Frame System with 80mm depth Frame D:1070mm	Single Frame with 160mm depth Frame
LN-DGR-TPR-5L40-XX Grounding Set, 6 grounding point, 4pcsx4mm diameterx 40cm long yellow/green wires, for basic grounding of cabinet chassis and panels	260x55x50	260x55x50	0,2	0,2	32	550x430x400	7,9	●	●	●	●	●	●	●	●											●	●	●	●
LN-DGR-TPR-1U10-CC 19" rack mount 1U Grounding Set, 10 grounding point, 4 pcsx4mm diameter x 40 cm long yellow/green wires, can be installed at any U height for all cabinet models, 4pcs set of M6 fixing elements.	482x35x44	500x45x50	0,4	0,5	1	500x45x50	0,5	●	●	●	●	●	●	●	●								●			●	●	●	●
LN-DGR-TPR-DM20-XX Vertical Grounding Set 780mm long each ,2pcs 22x2=44 grounding points, 4 pcsx4mm diameter x 40 cm long yellow/green wires, incl the connection wire for the 2 copper bar.	25x25x780	35x35x800	1,5	1,7	1	35x35x800	1,7	**	**	**	**	**	**	**	**														

* CC= Color Code, LG Light Grey RAL 7035, BL Black RAL 9005, customers to define while ordering. ** 36U and above sizes are allows vertical grounding sets.

ACCESSORIES

Equipment Mounting Rails FREE STANDING and WALL MOUNTING TYPE



19" Equipment Mounting rails, for assembling the active and passive equipments. For assembling the different depth equipments some cases extra rails are required. If the configured quantity in shipping configuration is not enough than to be ordered. 1,5mm thickness steel material, zinc plated 8-12 micron, Automation U number printing, 1 set: 2 pcs.

Equipment Mounting Rails FREE STANDING and WALL MOUNTING TYPE	Logistics Data						COMPATIBLE WITH																							
							DYNAme-Series Free Standing Cabinets W (Width) x D (Depth) mm			DYNAmax Series Free Standing Server Cabinets W (Width) x D (Depth) mm		NE Tbox Series Wall Mounting Cabinets W (Width) x D (Depth) mm		19" NE Tbox Series SOHO Cabinets W (Width) x D (Depth) mm		10" NE Tbox Series SOHO Cabinets W (Width) x D (Depth) mm		19" NE Tbox Home Series Cabinets W (Width) x D (Depth) mm		NE Tbox Slim Series Cabinets W (Width) x D (Depth) mm		DYNAframe Frame Systems W 530 x D (Depth) mm								
Part Number and Product Description	Product Dimensions mm	Pack Dimensions mm	Product Net Weight kg	Product Gross Weight kg	QTY in Box pcs	Box Dimensions mm	Box Gross Weight kg	600x600	600x800	600x1000	800x600	800x800	800x1000	600x1000	800x1000	600x450	600x600	600x450+150	540x300	540x400	312x300	600x150	600x300	522x480	Single Frame with 80mm depth Frame	Double Frame System with 80mm depth Frame D:670mm	Double Frame System with 80mm depth Frame D:870mm	Double Frame System with 80mm depth Frame D:1070mm	Single Frame with 160mm depth Frame	
LN-PRF-CMD-07UD-ZN 7U 19" Equipment Mounting Rails 1set:2pcs (left/right) WM range Wall Mounting Type	35x65x328	40x70x350	0,7	0,72	1	40x70x350	0,72									●	●	●												
LN-PRF-CMD-09UD-ZN 9U 19" Equipment Mounting Rails 1set:2pcs (left/right) WM range Wall Mounting Type	35x65x417	40x70x450	0,7	0,92	1	40x70x450	0,92									●	●	●												
LN-PRF-CMD-12UD-ZN 12U 19" Equipment Mounting Rails 1set:2pcs (left/right) Wall Mounting and Free Standing Type	35x65x551	40x70x570	1,1	1,15	0	40x70x570	1,15	●	●							●	●	●												
LN-PRF-CMD-16UD-ZN 16U 19" Equipment Mounting Rails 1set:2pcs (left/right) Wall Mounting and Free Standing Type	35x65x728	40x70x750	1,5	1,55	1	40x70x750	1,55	●	●							●	●	●												
LN-PRF-CMD-20UD-ZN 20U 19" Equipment Mounting Rails 1set:2pcs (left/right) Wall Mounting and Free Standing Type	35x65x906	40x70x940	1,9	2	1	40x70x940	2	●	●							●	●	●												
LN-PRF-CMD-22UD-ZN 22U 19" Equipment Mounting Rails 1set:2pcs (left+right) Wall Mounting and Free Standing Type	35x65x995	40x70x1010	2	2,1	1	40x70x1010	2,1	●	●	●	●	●				●	●	●												
LN-PRF-CMD-26UD-ZN 26U 19" Equipment Mounting Rails 1set:2pcs (left+right) Wall Mounting and Free Standing Type	35x65x1173	40x70x1210	2,5	2,6	1	40x70x1210	2,6	●	●	●	●	●				●	●	●												
LN-PRF-CMD-32UD-ZN 32U 19" Equipment Mounting Rails 1set:2pcs (left+right) Wall Mounting and Free Standing Type	35x65x1440	40x70x1490	2,9	3	1	40x70x1490	3	●	●	●	●	●				●	●	●												
LN-PRF-CMD-36UD-ZN 36U 19" Equipment Mounting Rails 1set:2pcs (left+right) Wall Mounting and Free Standing Type	35x65x1617	4x70x1650	3,4	3,5	1	4x70x1650	3,5	●	●	●	●	●				●	●	●												
LN-PRF-CMD-39UD-ZN 39U 19" Equipment Mounting Rails 1set:2pcs (left+right) Wall Mounting and Free Standing Type	35x65x1751	40x70x1800	3,7	3,8	1	40x70x1800	3,8	●	●	●	●	●				●	●	●												
LN-PRF-CMD-42UD-ZN 42U 19" Equipment Mounting Rails 1set:2pcs (left+right) FWall Mounting and Free Standing Type	35x65x1884	40x70x1940	3,9	4	1	40x70x1940	4	●	●	●	●	●	●			●	●	●												
LN-PRF-CMD-45UD-ZN 45U 19" Equipment Mounting Rails 1set:2pcs (left+right) Wall Mounting and Free Standing Type	35x65x2017	40x70x2100	4,2	4,3	1	40x70x2100	4,3	●	●	●	●	●	●			●	●	●												

Ұстаны соққан
пышағынан таниды

The master's creation
tells his name

Khazaks Proverb

There are things that inspire us,
and then, there are people that we inspire...



ACCESSORIES

ECONOMIC POWER STRIPES PVC HOUSING

HORIZONTAL POWER STRIPES ALUMINIUM HOUSING



1U 19" 16A lighted on/off switched, Black Color, PVC Housing, Economic Segment Power Distribution Stripes, CE Marked.

ECONOMIC POWER STRIPES PVC HOUSING	Logistics Data						COMPATIBLE WITH																						
							DYNAmic Series Free Standing Cabinets W (Width) x D (Depth) mm		DYNAmix Series Free Standing Server Cabinets W (Width) x D (Depth) mm		NETBox Series Wall Mounting Cabinets W (Width) x D (Depth) mm		19" NETBox Series SOHO Cabinets W (Width) x D (Depth) mm		10" NETBox Series SOHO Cabinets W (Width) x D (Depth) mm		19" NETBox Home Series Cabinets W (Width) x D (Depth) mm		NETBox Slim Series Cabinets W (Width) x D (Depth) mm		DYNAmic Frame Systems W 530 x D (Depth) mm								
Part Number and Product Description	Product Dimensions mm	Pack Dimensions mm	Product Net Weight kg	Product Gross Weight kg	QTY in Box pcs	Box Dimensions mm	Box Gross Weight kg	600x600	600x800	600x1000	800x600	800x800	800x1000	600x1000	800x1000	600x450	600x600	600x450+150	540x300	540x400	312x300	600x150	600x300	522x480	Single Frame with 80mm depth	Double Frame System with 80mm depth	Double Frame System with 80mm depth	Double Frame System with 80mm depth	Single Frame with 160mm depth
LN-PRZ-EKO-1U3P-SC 3xDIN49440 Socket Schuko Power Stripe, 19" 1U, PVC Frame, 16A lighted on/off switch, 4000 Watt, 250V AC, 3x1.5mm ² , 2,5m cable, DIN 49441 plug, CE mark.	482x44x44	500x100x120	0,6	0,7	16	545x425x400	14	●	●	●	●	●	●	●	●	●	●	●	●	●	●	●	●	●	●	●	●	●	●
LN-PRZ-EKO-1U6P-SC 6xDIN49440 Socket Schuko Power Stripe, 19" 1U, PVC Frame, 16A lighted on/off switch, 4000 Watt, 250V AC, 3x1.5mm ² , 2,5m cable, DIN 49441 plug, CE mark.	482x44x44	500x100x120	0,8	0,9	16	545x425x400	17	●	●	●	●	●	●	●	●	●	●	●	●	●	●	●	●	●	●	●	●	●	●



Aluminium housing, different types and features, Power Distribution Stripes are CE Marked. DIN49440 Schuko types, IEC320 C13 Types, BS1363 UK Socket Types, lighted on/off switched, 16A cct Breaker type, Surge Protection types are available. Assembly types horizontal. A wide accessory portfolio is available, possible to configure special and specific product models with different socket types and qty's for projects.

HORIZONTAL POWER STRIPES ALUMINIUM HOUSING	Logistics Data						COMPATIBLE WITH																						
							DYNAmic Series Free Standing Cabinets W (Width) x D (Depth) mm		DYNAmix Series Free Standing Server Cabinets W (Width) x D (Depth) mm		NETBox Series Wall Mounting Cabinets W (Width) x D (Depth) mm		19" NETBox Series SOHO Cabinets W (Width) x D (Depth) mm		10" NETBox Series SOHO Cabinets W (Width) x D (Depth) mm		19" NETBox Home Series Cabinets W (Width) x D (Depth) mm		NETBox Slim Series Cabinets W (Width) x D (Depth) mm		DYNAmic Frame Systems W 530 x D (Depth) mm								
Part Number and Product Description	Product Dimensions mm	Pack Dimensions mm	Product Net Weight kg	Product Gross Weight kg	QTY in Box pcs	Box Dimensions mm	Box Gross Weight kg	600x600	600x800	600x1000	800x600	800x800	800x1000	600x1000	800x1000	600x450	600x600	600x450+150	540x300	540x400	312x300	600x150	600x300	522x480	Single Frame with 80mm depth	Double Frame System with 80mm depth	Double Frame System with 80mm depth	Double Frame System with 80mm depth	Single Frame with 160mm depth
LN-PRZ-SGT-1U6P-SC 6xDIN49440 Socket Schuko Power Stripe, 19" 1U, aluminium housing, 1x16A cct breaker, 4000 Watt, 250V AC, 3x1.5mm ² , 2,5m cable, DIN 49441 plug, CE mark.	482x44x44	500x50x120	1	1,1	27	545x425x400	31	●	●	●	●	●	●	●	●	●	●	●	●	●	●	●	●	●	●	●	●	●	●
LN-PRZ-SGT-2U9P-SC 9xDIN49440 Socket Power Stripe, 19" 2U aluminium housing, 1x16A cct breaker, 4000 Watt, 250V AC, 2,5m cable, DIN 49441 plug, CE mark.	482x44x88	500x100x120	1,5	1,7	12	545x425x400	22	●	●	●	●	●	●	●	●	●	●	●	●	●	●	●	●	●	●	●	●	●	●
LN-PRZ-AKK-1U6P-SC 6xDIN49440 Socket Schuko Surge Protection power Stripe, 19" 1U, aluminium housing, 16A lighted on/off switched, 4000 Watt, 250V AC, 3x1.5mm ² , 2,5m cable, DIN 49441 plug, CE mark.	482x44x44	500x50x120	1	1,1	27	545x425x400	31	●	●	●	●	●	●	●	●	●	●	●	●	●	●	●	●	●	●	●	●	●	●
LN-PRZ-ONF-1U6P-UK 6xBS1363 UK Socket Power Stripe, 19" 1,5U, aluminium housing, 16A lighted on/off switched, 4000 Watt, 250V AC, 3x1.5mm ² , 2,5m cable, 13A BS1363 plug, CE mark.	482x44x62	500x100x120	1,2	1,4	24	545x425x400	34	●	●	●	●	●	●	●	●	●	●	●	●	●	●	●	●	●	●	●	●	●	●
LN-PRZ-SGT-1U6P-IE 6xIEC 320 C13 Socket Power Stripe, 19" aluminium housing, 1x16A cct breaker, 4000 Watt, 250V AC, 2,5m cable, DIN 49441 plug, CE mark.	482x44x44	500x50x120	1	1,1	27	545x425x400	31	●	●	●	●	●	●	●	●	●	●	●	●	●	●	●	●	●	●	●	●	●	●
LN-PRZ-ONF-1U8P-SC 8xDIN49440 Socket Schuko Power Stripe, 19" 1U, aluminium housing, 16A lighted on/off switched, 4000 Watt, 250V AC, 3x1.5mm ² , 2,5m cable, DIN 49441 plug, CE mark.	482x44x44	500x50x120	1,1	1,2	27	545x425x400	34	●	●	●	●	●	●	●	●	●	●	●	●	●	●	●	●	●	●	●	●	●	●



Aluminium Housing, Vertical Assembly Model power Stripes are available in DIN49440 schuko sockets and IEC320 C13 Type Socket outlets. No Cable but ready cable connection. Vertical Power Stripes are integrated with 2x16 A cct breaker.

VERTICAL POWER STRIPES ALUMINIUM HOUSING	Logistics Data							COMPATIBLE WITH																							
								DYNAMIC Series Free Standing Cabinets W (Width) x D (Depth) mm	DYNAMIC Series Free Standing Socket Cabinets W (Width) x D (Depth) mm	NE Tox Series Wall Mounting Cabinets W (Width) x D (Depth) mm	19" NE Tox Series SOHO Cabinets W (Width) x D (Depth) mm	10" NE Tox Series SOHO Cabinets W (Width) x D (Depth) mm	19" NE Tox Home Series Cabinets W (Width) x D (Depth) mm	NE Tox Slim Series Cabinets W (Width) x D (Depth) mm	DYNAMIC Frame Systems W 530 x D (Depth) mm																
Part Number and Product Description	Product Dimensions mm	Peak Dimensions mm	Product Net Weight kg	Product Gross Weight kg	QTY in Boxes	Box Dimensions mm	Box Gross Weight kg	600x600	600x800	600x1000	800x600	800x800	800x1000	600x1000	800x1000	600x450	600x600	600x450+150	540x300	540x400	312x300	600x150	600x300	522x480	Single Frame with 80mm depth Frame	Double Frame System with 80mm depth Frame D:670mm	Double Frame System with 80mm depth Frame D:870mm	Double Frame System with 80mm depth Frame D:1070mm	Single Frame with 160mm depth Frame		
LN-PRZ-SGT-4518-SC 18xDIN49440 Socket Schuko Power Stripe – double circuit (9+9), aluminium housing, 2x16A cct breaker, 250vac, for 45U cabinet height, no cable, ready cable connection point.	60x42x1890	2035x95x85	2,9	3,3	1	2035x95x85	3,3							45U	45U																
LN-PRZ-SGT-4518-IE 18xIEC 320 C13 Socket Schuko Power Stripe – double circuit (9+9), aluminium housing, 2x16A cct breaker, 250vac, for 45U cabinet height, no cable, ready cable connection point.	60x42x1890	2035x95x85	2,9	3,3	1	2035x95x85	3,3							45U	45U																
LN-PRZ-SGT-4218-SC 18xDIN49440 Socket Schuko Power Stripe – double circuit (9+9), aluminium housing, 2x16A cct breaker, 250vac, for 42U cabinet height, no cable, ready cable connection point.	60x42x1890	2035x95x85	2,7	3,1	1	2035x95x85	3,1							42U	42U																
LN-PRZ-SGT-4218-IE 18xIEC 320 C13 Socket Schuko Power Stripe – double circuit (9+9), aluminium housing, 2x16A cct breaker, 250vac, for 42U cabinet height, no cable, ready cable connection point.	60x42x1890	2035x95x85	2,7	3,1	1	2035x95x85	3,1							42U	42U																
LN-PRZ-SGT-3618-SC 18xDIN49440 Socket Schuko Power Stripe – double circuit (9+9), aluminium housing, 2x16A cct breaker, 250vac, for 36U cabinet height, no cable, ready cable connection point.	60x42x1620	1710x95x85	2,4	2,9	1	1710x95x85	2,9							36U																	
LN-PRZ-SGT-3618-IE 18xIEC 320 C13 Socket Schuko Power Stripe – double circuit (9+9), aluminium housing, 2x16A cct breaker, 250vac, for 36U cabinet height, no cable, ready cable connection point.	60x42x1620	1710x95x85	2,4	2,9	1	1710x95x85	2,9							36U																	
LN-PRZ-SGT-2612-SC 12xDIN49440 Socket Schuko Power Stripe – double circuit (6+6), aluminium housing, 2x16A cct breaker, 250vac, for 26U cabinet height, no cable, ready cable connection point.	60x42x1180	1250x95x85	1,7	2,1	1	1250x95x85	2,1							26U																	
LN-PRZ-SGT-2612-IE 12xIEC 320 C13 Socket Schuko Power Stripe – double circuit (6+6), aluminium housing, 2x16A cct breaker, 250vac, for 26U cabinet height, no cable, ready cable connection point.	60x42x1180	1250x95x85	1,7	2,1	1	1250x95x85	2,1							26U																	



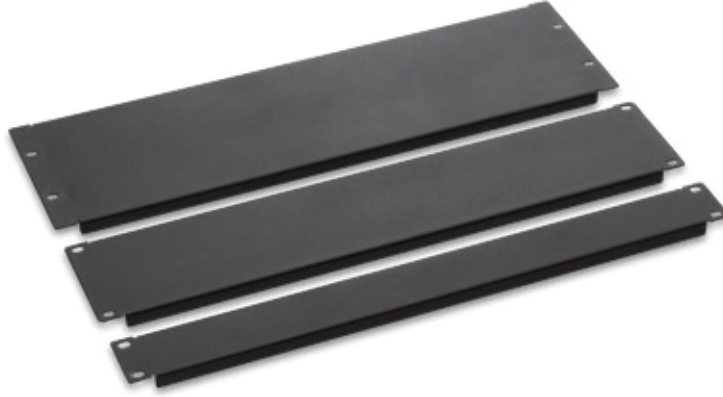
Monitored and Managed Professional PDU segment, with optional sensors environmental monitoring is applicable. A very wide product portfolio in Horizontal and vertical assembly types and socket qty's and types. Specific products can be configured based on request of different sockets and types.

PROFESSIONAL PDU SEGMENT	Logistics Data							COMPATIBLE WITH																						
								DYNAmic Series Free Standing Cabinets W (Width) x D (Depth) mm		DYNAmix Series Free Standing Server Cabinets W (Width) x D (Depth) mm		NETbox Series Wall Mounting Cabinets W (Width) x D (Depth) mm		19" NETbox Series SOHO Cabinets W (Width) x D (Depth) mm		19" NETbox Series SOHO Cabinets W (Width) x D (Depth) mm		19" NETbox Home Series Cabinets W (Width) x D (Depth) mm		NETbox Slim Series Cabinets W (Width) x D (Depth) mm		DYNAmic Frame Systems W 530 x D (Depth) mm								
Part Number and Product Description	Product Dimensions mm	Pack Dimensions mm	Product Net Weight kg	Product Gross Weight kg	QTY in Box pcs	Box Dimensions mm	Box Gross Weight kg	600x600	600x800	600x1000	800x600	800x800	800x1000	600x1000	800x1000	600x450	600x600	600x450+150	540x300	540x400	312x300	600x150	600x300	522x480	Single Frame with 80mm depth Frame	Double Frame System with 80mm depth Frame D:670mm	Double Frame System with 80mm depth Frame D:870mm	Double Frame System with 80mm depth Frame D:1070mm	Single Frame with 160mm depth Frame	
LN-PRZ-AMP-1U6P-IE 6xIEC 320 C13 Socket PDU with Ampermeter Display, 19" 1U, aluminium profile frame, 1x16A MCB, 4000 Watt, 250V AC, 3x2.5mm2, 3m cord with IEC60309 plug (16A 2P+E), CE mark	482x44x44	540x140x65	1,4	1,7	10	560x305x350	18	●	●	●	●	●	●	●	●										●	●	●	●	●	
LN-PRZ-AMP-DM24-IE 24xIEC 320 (20xC13 + 4xC19) Socket PDU with Ampermeter Display, ZeroU, aluminium profile frame, 2x16A MCB, 8000 Watt, 250V AC, 3x6.0mm2, 3m cord with IEC60309 plug (32A 2P+E), CE mark	482x62x1648	1700x105x75	4,2	5	6	1860x250x270	32							42U/45U	42U/45U															



Monitored and Managed Professional PDU segment, with optional sensors environmental monitoring is applicable. A very wide product portfolio in Horizontal and vertical assembly types and socket qty's and types. Specific products can be configured based on request of different sockets and types.

PROFESSIONAL PDU SEGMENT	Logistics Data							COMPATIBLE WITH																						
								DYNAmic Series Free Standing Cabinets W (Width) x D (Depth) mm		DYNAmix Series Free Standing Server Cabinets W (Width) x D (Depth) mm		NETbox Series Wall Mounting Cabinets W (Width) x D (Depth) mm		19" NETbox Series SOHO Cabinets W (Width) x D (Depth) mm		19" NETbox Series SOHO Cabinets W (Width) x D (Depth) mm		19" NETbox Home Series Cabinets W (Width) x D (Depth) mm		NETbox Slim Series Cabinets W (Width) x D (Depth) mm		DYNAmic Frame Systems W 530 x D (Depth) mm								
Part Number and Product Description	Product Dimensions mm	Pack Dimensions mm	Product Net Weight kg	Product Gross Weight kg	QTY in Box pcs	Box Dimensions mm	Box Gross Weight kg	600x600	600x800	600x1000	800x600	800x800	800x1000	600x1000	800x1000	600x450	600x600	600x450+150	540x300	540x400	312x300	600x150	600x300	522x480	Single Frame with 80mm depth Frame	Double Frame System with 80mm depth Frame D:670mm	Double Frame System with 80mm depth Frame D:870mm	Double Frame System with 80mm depth Frame D:1070mm	Single Frame with 160mm depth Frame	
LN-PRZ-IZP-DM20-IE 20xIEC 320 (16xC13 + 4xC19) Socket, MONITORED IP PDU with Ampermeter Display, ZeroU, aluminium profile frame, 1x32A MCB, 8000 Watt, 250V AC, 3x6.0mm2, 3m cord with IEC60309 plug (32A 2P+E), CE mark, daisy-chain function upto 10 units, Remote Monitoring port	44x66x1354	1500x186x160	4,5	5	4	1680x430x345	22							42U/45U	42U/45U															
LN-PRZ-YNP-DM20-IE 20xIEC 320 (16xC13 + 4xC19) Socket, Socket Based MANAGED IP PDU with Ampermeter Display, ZeroU, aluminium profile frame, 1x32A MCB, 8000 Watt, 250V AC, 3x6.0mm2, 3m cord with IEC60309 plug (32A 2P+E), CE mark, daisy-chain function upto 10 units, Remote Monitoring port	44x66x1826	2000x186x160	4,5	5	4	2100x430x345	22							42U/45U	42U/45U															



For Empty or Spare U locations in Network and Storage applications, the products could be used for closing and giving a good visual performance to cabinet. In Hot or cold air flow applications, the blanking panels could be used for directing the cold or hot air through. Sizes are various between 1U to 6U in 19" width size. Solid metal Screw model conventional type. From Steel Material with 2 bends extra strength given. Supply in RAL 9005 Black and RAL 7035 Light Grey colors. 1U and 2U sizes have the slotted models, providing the ventilation possibility.

SCREW TYPE BLANK PANELS	Logistics Data						COMPATIBLE WITH																						
							DYNAMIC Series Free Standing Cabinets W (Width) x D (Depth) mm		DYNAMIC Series Free Standing Server Cabinets W (Width) x D (Depth) mm		NETbox Series Wall Mounting Cabinets W (Width) x D (Depth) mm		19" NETbox Series SOHO Cabinets W (Width) x D (Depth) mm		10" NETbox Series SOHO Cabinets W (Width) x D (Depth) mm		19" NETbox Home Series Cabinets W (Width) x D (Depth) mm		NETbox Slim Series Cabinets W (Width) x D (Depth) mm		DYNA Frame Systems W 530 x D (Depth) mm								
Part Number* and Product Description	Product Dimensions mm	Pack Dimensions mm	Product Net Weight kg	Product Gross Weight kg	QTY in Box pcs	Box Dimensions mm	Box Gross Weight kg	600x600	600x800	600x1000	800x600	800x800	800x1000	600x1000	800x1000	600x450	600x600	600x450+150	540x300	540x400	312x300	600x150	600x300	522x480	Single Frame with 80mm depth	Double Frame System with 80mm depth	Double Frame System with 80mm depth	Double Frame System with 107mm depth	Single Frame with 160mm depth
LN-PNL-KPN-1U19-CC 1U 19" Blank Panel Screw type	482x12x44	500x22x55	0,26	0,3	40	560x425x122	13,9	●	●	●	●	●	●	●	●	●	●	●	●	●	●	●	●	●	●	●	●	●	●
LN-PNL-KPN-2U19-CC 2U 19" Blank Panel Screw type	482x12x88	500x22x147	0,46	0,51	36	560x425x122	20	●	●	●	●	●	●	●	●	●	●	●	●	●	●	●	●	●	●	●	●	●	●
LN-PNL-KPN-3U19-CC 3U 19" Blank Panel Screw type	482x12x132	500x22x147	0,58	0,67	40	545x425x400	29,1	●	●	●	●	●	●	●	●	●	●	●	●	●	●	●	●	●	●	●	●	●	●
LN-PNL-KPN-4U19-CC 4U 19" Blank Panel Screw type	482x12x176	490x22x182	0,79	0,91	40	545x425x400	39,6	●	●	●	●	●	●	●	●	●	●	●	●	●	●	●	●	●	●	●	●	●	●
LN-PNL-KPN-5U19-CC 5U 19" Blank Panel Screw type	482x12x220	490x22x225	0,97	1,08	40	550x430x480	44,9	●	●	●	●	●	●	●	●	●	●	●	●	●	●	●	●	●	●	●	●	●	●
LN-PNL-KPN-6U19-CC 6U 19" Blank Panel Screw type	482x12x264	490x22x270	1,15	1,29	42	550x450x630	56,5	●	●	●	●	●	●	●	●	●	●	●	●	●	●	●	●	●	●	●	●	●	●
LN-PNL-PPK-1U19-CC 1U 19" Blank Panel vented Screw type	482x12x44	500x22x55	0,23	0,27	40	560x425x122	13,4	●	●	●	●	●	●	●	●	●	●	●	●	●	●	●	●	●	●	●	●	●	●
LN-PNL-PPK-2U19-CC 2U 19" Blank Panel vented Screw type	482x12x88	500x22x147	0,39	0,47	21	560x425x122	12,2	●	●	●	●	●	●	●	●	●	●	●	●	●	●	●	●	●	●	●	●	●	●

* CC= Color Code, LG Light Grey RAL 7035, BL Black RAL 9005, customers to define while ordering.



Aranykulcs minden
ajtóra beleillik.

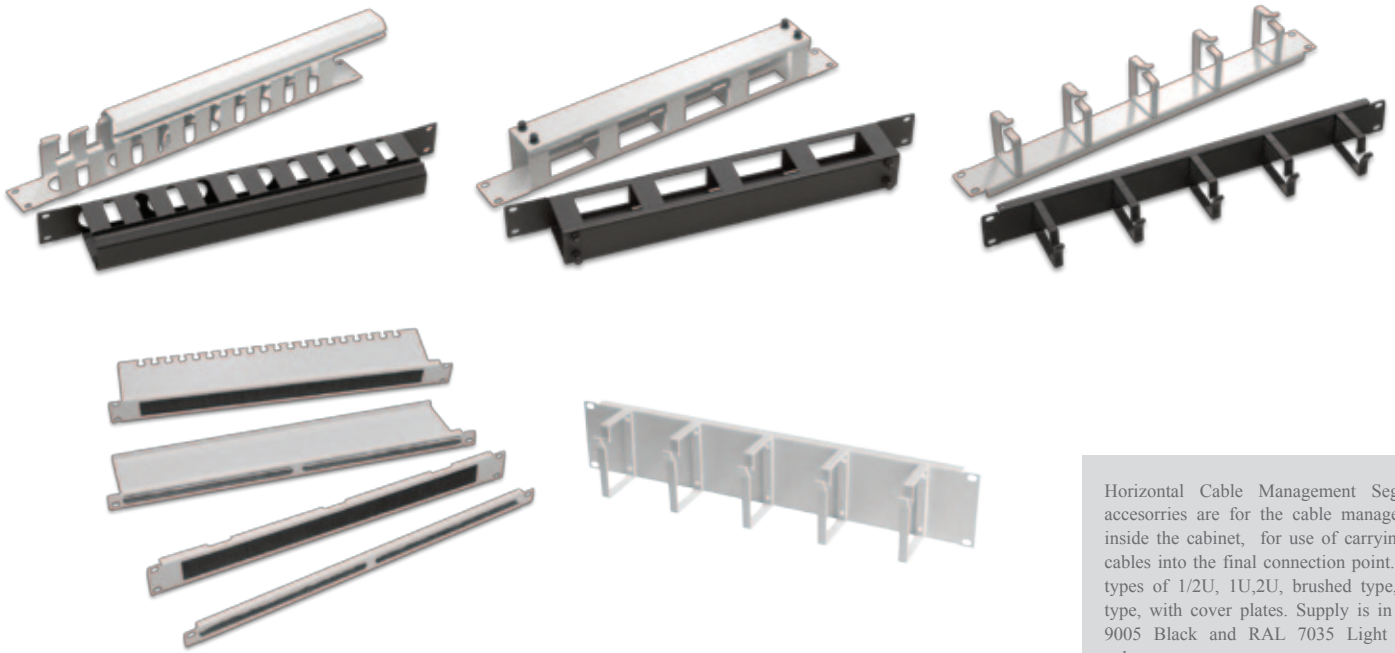
A golden key fits
every door.

Hungarian Proverb



The Vertical Cable Trays are for inserting cable bundles to cabinet and to carry them into the final connection point, W=100mm sized cable trays are vertically used aligning with the cable entry openings on cabinet. The cables should run on the cable trays where the cables tie-up to the matching slot holes on the cable tray. 1-2-3 cable trays can be attached to the cabinet side by side for more volume cabling works related to the cabinet depth. From Steel Material with 2 bends, zinc plated 8-12 micron.

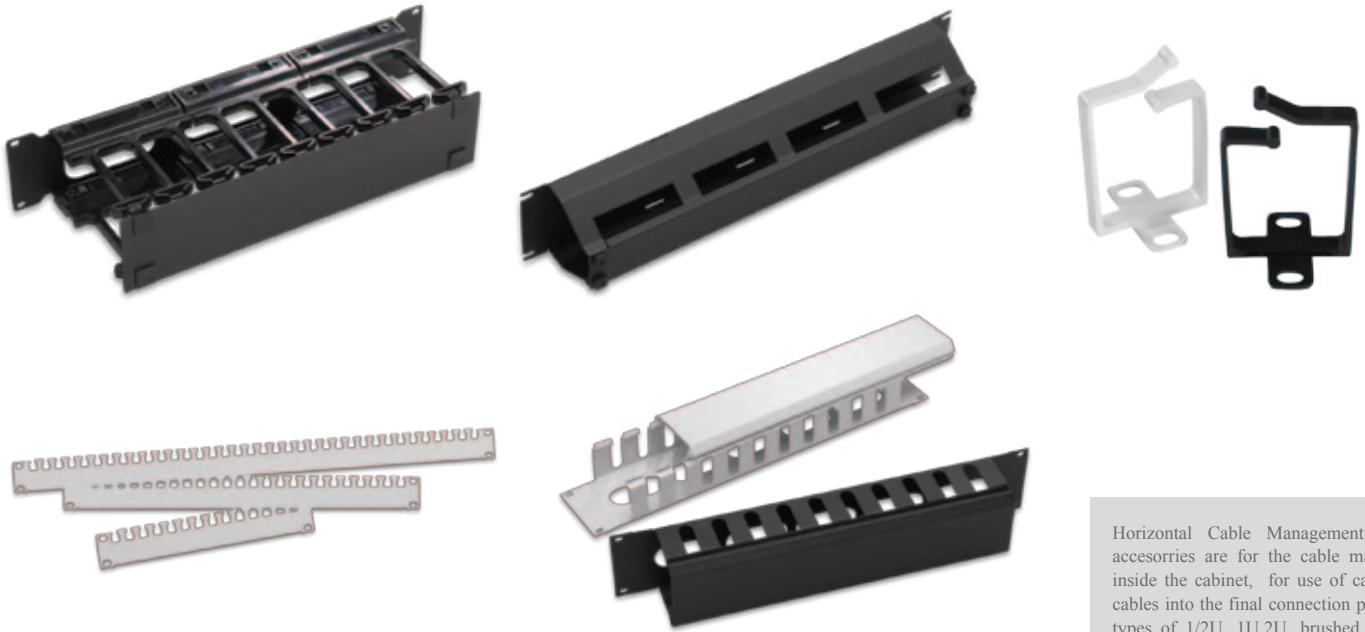
VERTICAL CABLE TRAYS	Logistics Data						COMPATIBLE WITH																								
							DYNAMIC Series Free Standing Cabinets W (Width) x D (Depth) mm		DYNAMAX Series Free Standing Server Cabinets W (Width) x D (Depth) mm		NETbox Series Wall Mounting Cabinets W (Width) x D (Depth) mm		19" NETbox Series SOHO Cabinets W (Width) x D (Depth) mm		10" NETbox Series SOHO Cabinets W (Width) x D (Depth) mm		19" NETbox Home Series Channels W (Width) x D (Depth) mm		NETbox Slim Series Cabinets W (Width) x D (Depth) mm		DYNAMIC Frame Systems W 530 x D (Depth) mm										
Part Number and Product Description	Product Dimensions mm	Pack Dimensions mm	Product Net Weight kg	Product Gross Weight kg	QTY in Box pcs	Box Dimensions mm	Box Gross Weight kg	600x600	600x800	600x1000	800x600	800x800	800x1000	600x1000	800x1000	600x450	600x600	600x450+H 50	540x300	540x400	312x300	600x150	600x300	522x480	Single Frame with 80mm depth	Double Frame System with 80mm depth	Double Frame System with 1070mm depth	Double Frame System with 80mm depth	Double Frame System with 1070mm depth	Single Frame with 160mm depth	
LN-KDG-CMT-12UK-ZN 12U Cable Tray Zinc Plated W=100mm	100x10x552	110x20x582	0,37	0,41	2	110x20x582	0,91	●	●	●				●																	
LN-KDG-CMT-16UK-ZN 16U Cable Tray Zinc Plated W=100mm	100x10x730	110x20x752	0,42	0,48	2	110x20x752	0,95	●	●	●																					
LN-KDG-CMT-20UK-ZN 20U Cable Tray Zinc Plated W=100mm	100x10x908	110x20x930	0,53	0,60	2	110x20x930	1,20	●	●	●																					
LN-KDG-CMT-22UK-ZN 22U Cable Tray Zinc Plated W=100mm	100x10x996	110x20x1020	0,59	0,68	2	110x20x1020	1,35	●	●	●	●	●																			
LN-KDG-CMT-26UK-ZN 26U Cable Tray Zinc Plated W=100mm	100x10x1175	110x20x1200	0,64	0,71	2	110x20x1200	1,43	●	●	●	●	●		●																	
LN-KDG-CMT-32UK-ZN 32U Cable Tray Zinc Plated W=100mm	100x10x1440	110x20x1470	0,80	0,88	2	110x20x1470	1,77	●	●	●	●	●																			
LN-KDG-CMT-36UK-ZN 36U Cable Tray Zinc Plated W=100mm	100x10x1620	110x20x1650	0,90	1,01	2	110x20x1650	2,02	●	●	●	●	●		●																	
LN-KDG-CMT-39UK-ZN 39U Cable Tray Zinc Plated W=100mm	100x10x1752	110x20x1782	0,98	1,08	2	110x20x1782	2,16	●	●	●	●	●																			
LN-KDG-CMT-42UK-ZN 42U Cable Tray Zinc Plated W=100mm	100x10x1885	110x20x1910	1,05	1,10	2	110x20x1910	2,20	●	●	●	●	●	●	●	●																
LN-KDG-CMT-45UK-ZN 45U Cable Tray Zinc Plated W=100mm	100x10x2020	110x20x2050	1,15	1,28	2	110x20x2050	1,56	●	●	●	●	●	●	●	●																



Horizontal Cable Management Segment accessories are for the cable management inside the cabinet, for use of carrying the cables into the final connection point. have types of 1/2U, 1U,2U, brushed type, ring type, with cover plates. Supply is in RAL 9005 Black and RAL 7035 Light Grey colors.

HORIZONTAL CABLE MANAGEMENT ACCESSORIES	Logistics Data						COMPATIBLE WITH																						
							DYNAmic Series Free Standing Cabinets W (Width) x D (Depth) mm		DYNAmic Series Free Standing Server Cabinets W (Width) x D (Depth) mm		NE.Box Series Wall Mounting Cabinets W (Width) x D (Depth) mm		19" NE.Box Series SOHO Cabinets W (Width) x D (Depth) mm		10" NE.Box Series SOHO Cabinets W (Width) x D (Depth) mm		19" NE.Box Home Series Cabinets W (Width) x D (Depth) mm		NE.Box Slim Series Cabinets W (Width) x D (Depth) mm		DYNAmic Frame Systems W 530 x D (Depth) mm								
Part Number* and Product Description	Product Dimensions mm	Pack Dimensions mm	Product Net Weight kg	Product Gross Weight kg	QTY in Box pcs	Box Dimensions mm	Box Gross Weight kg	600x600	600x800	600x1000	800x600	800x800	800x1000	600x1000	800x1000	600x450	600x600	600x450+150	540x300	540x400	312x300	600x150	600x300	522x480	Single Frame with 80mm depth Frame	Double Frame System with 80mm depth Frame D:670mm	Double Frame System with 80mm depth Frame D:870mm	Double Frame System with 80mm depth Frame D:1070mm	Single Frame with 160mm depth Frame
LN-KDG-YKD-IUKN-CC 1U 19" cable management panel 5 rings	482x72x44	490x80x50	0,32	0,35	32	545x425x400	12,85	●	●	●	●	●	●	●	●	●	●	●	●	●	●	●	●	●	●	●	●	●	●
LN-KDG-YKD-IUKT-CC 1U 19" cable management panel, channel type, removable front cover plate with clips	482x75x44	490x80x50	0,51	0,55	32	545x425x400	19,20	●	●	●	●	●	●	●	●	●	●	●	●	●	●	●	●	●	●	●	●	●	●
LN-KDG-YKD-IUKZ-CC 1U 19" cable management panel, channel type, removable insert type sliding cover plate	482x72x44	490x80x50	0,68	0,72	32	545x425x400	24,10	●	●	●	●	●	●	●	●	●	●	●	●	●	●	●	●	●	●	●	●	●	●
LN-KDG-YKD-IUFC-CC 1U 19" cable management panel for patchcord entry, brushed type	482x12x44	490x20x50	0,25	0,29	40	560x425x122	13,50	●	●	●	●	●	●	●	●	●	●	●	●	●	●	●	●	●	●	●	●	●	●
LN-KDG-YKD-IUFO-CC 1U 19" cable management panel for patchcord entry, brushed type, with L rear bend patchcord holder and tire up panel	482x112x44	490x135x50	0,58	0,76	20	545x425x400	17,00	●	●	●	●	●	●	●	●	●	●	●	●	●	●	●	●	●	●	●	●	●	●
LN-KDG-YKD-05FC-CC 1/2U 19" cable management panel for patchcord entry, brushed stripe around the patchcord entry	482x12x22	490x135x50	0,45	0,64	20	545x425x400	14,00	●	●	●	●	●	●	●	●	●	●	●	●	●	●	●	●	●	●	●	●	●	●
LN-KDG-YKD-2UKN-CC 2U 19" cable management panel 5 rings	482x72x88	490x85x95	0,65	0,72	16	545x425x400	13,00	●	●	●	●	●	●	●	●	●	●	●	●	●	●	●	●	●	●	●	●	●	●

* CC= Color Code, LG Light Grey RAL 7035, BL Black RAL 9005, customers to define while ordering.



Horizontal Cable Management Segment accessories are for the cable management inside the cabinet, for use of carrying the cables into the final connection point. Have types of 1/2U, 1U,2U, brushed type, ring type, with cover plates. Supply is in RAL 9005 Black and RAL 7035 Light Grey colors.

HORIZONTAL CABLE MANAGEMENT ACCESSORIES	Logistics Data						COMPATIBLE WITH																						
							DYNAmic Series Free Standing Cabinets W (Width) x D (Depth) mm		DYNAmic Series Free Standing Server Cabinets W (Width) x D (Depth) mm		NE.Box Series Wall Mounting Cabinets W (Width) x D (Depth) mm		19" NE.Box Series SOHO Cabinets W (Width) x D (Depth) mm		19" NE.Box Home Series Cabinets W (Width) x D (Depth) mm		NE.Box Slim Series Cabinets W (Width) x D (Depth) mm		DYNAmic Frame Systems W 530 x D (Depth) mm										
Part Number* and Product Description	Product Dimensions mm	Pack Dimensions mm	Product Net Weight kg	Product Gross Weight kg	QTY in Box pcs	Box Dimensions mm	Box Gross Weight kg	600x600	600x800	600x1000	800x600	800x800	800x1000	600x1000	800x1000	600x450	600x600	600x450+150	540x300	540x400	312x300	600x150	600x300	522x480	Single Frame with 80mm depth Frame	Double Frame System with 80mm depth Frame D:670mm	Double Frame System with 80mm depth Frame D:870mm	Double Frame System with 80mm depth Frame D:1070mm	Single Frame with 160mm depth Frame
LN-KDG-YKD-2UKA-CC 2U 19" cable management panel, channel type, removable angled front cover plate, front cover plate is toolless	482x75x88	490x85x95	1,03	1,12	16	545x425x400	20,00	●	●	●	●	●	●	●	●	●	●	●	●	●	●	●	●	●	●	●	●	●	●
LN-KDG-YKD-2UKZ-CC 2U 19" cable management panel, channel type removable insert type sliding cover plate	482x72x88	490x85x95	1,35	1,47	16	545x425x400	25,50	●	●	●	●	●	●	●	●	●	●	●	●	●	●	●	●	●	●	●	●	●	●
LN-KDG-YKD-2UFT-CC 2U 19" cable management panel, channel type, Finger Style PVC organizer integrated, up/down opening toolless front cover plate 2U	482x165x88	500x180x95	1,54	1,75	8	545x425x400	16,00	●	●	●	●	●	●	●	●	●	●	●	●	●	●	●	●	●	●	●	●	●	●
LN-KDG-KKM-4460-CC Cable Management ring : Metal 44x60mm. 1set=5 pcs.	44x60	145x100x50	0,65	0,80	26	560x425x122	22,00	●	●	●	●	●	●	●	●	●	●	●	●	●	●	●	●	●	●	●	●	●	●
LN-KDG-KTR-D600-CC 1U Cable Tireup rail 19" and D600mm compatible	282x10x44	290x20x50	0,25	0,33	1	290x20x50	0,33	●	●	●	●	●	●	●	●	●	●	●	●	●	●	●	●	●	●	●	●	●	●
LN-KDG-KTR-D800-CC 1U Cable Tireup rail, for D800mm. Cabinets	482x10x44	490x20x50	0,33	0,43	1	490x20x50	0,43	●	●	●	●	●	●	●	●	●	●	●	●	●	●	●	●	●	●	●	●	●	●
LN-KDG-KTR-D100-CC 1U Cable Tireup rail, for D1000mm. Cabinets	686x10x44	700x20x50	0,41	0,52	1	700x20x50	0,52	●	●	●	●	●	●	●	●	●	●	●	●	●	●	●	●	●	●	●	●	●	●

* CC= Color Code, LG Light Grey RAL 7035, BL Black RAL 9005, customers to define while ordering.

ACCESSORIES

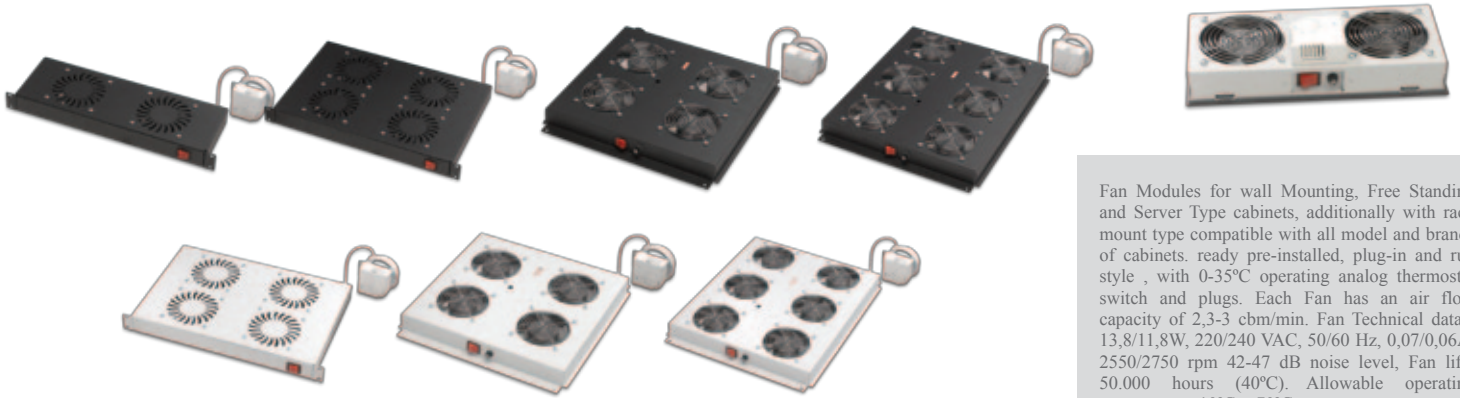
FAN MODULES with ON/OFF SWITCH



Fan Modules for wall Mounting, Free Standing and Server Type cabinets, additionally with rack mount type compatible with all model and brands of cabinets. ready pre-installed, plug-in and run style , with on/off switches and plugs. Each Fan has an air flow capacity of 2,3-3 cbm/min. Fan Technical data : 13,8/11,8W, 220/240 VAC, 50/60 Hz, 0,07/0,06A, 2550/2750 rpm 42-47 dB noise level, Fan life: 50.000 hours (40°C). Allowable operating temperature -10°C ~ +70°C.

FAN MODULES with ON/OFF SWITCH	Logistics Data						COMPATIBLE WITH																								
							DYNAmic Series Free Standing Cabinets W (Width) x D (Depth) mm		DYNAmix Series Free Standing Server Cabinets W (Width) x D (Depth) mm		NETbox Series Wall Mounting Cabinets W (Width) x D (Depth) mm		19" NETbox Series SOHO Cabinets W (Width) x D (Depth) mm		10" NETbox Series SOHO Cabinets W (Width) x D (Depth) mm		19" NETbox Home Series Cabinets W (Width) x D (Depth) mm		NETbox Slim Series Cabinets W (Width) x D (Depth) mm		DYNAmic Frame Systems W 530 x D (Depth) mm										
Part Number* and Product Description	Product Dimensions mm	Pack Dimensions mm	Product Net Weight kg	Product Gross Weight kg	QTY in Box pcs	Box Dimensions mm	Box Gross Weight kg	600x600	600x800	600x1000	800x600	800x800	800x1000	600x1000	800x1000	600x450	600x600	600x450+150	540x300	540x400	312x300	600x150	600x300	522x480	Single Frame with 80mm depth	Double Frame System with 80mm depth	Double Frame System with 80mm depth	Single Frame with 160mm depth			
LN-FAN-ONF-1FWM-CC 1 Fan Module on/off switched Wall Mounting Type	346x145x50	380x160x60	1,33	1,56	15	545x425x400	25,2									●	●	●	●	●											
LN-FAN-ONF-2FWM-CC 2 Fan Module on/off switched Wall Mounting Type	346x145x50	380x160x60	1,77	2	15	545x425x400	32,9									●	●	●	●	●											
LN-FAN-ONF-1FFS-CC 1 Fan Module on/off switched Free Standing Type	415x431x44	460x430x65	2,48	2,65	6	545x425x400	18	●	●	●	●	●	●																		
LN-FAN-ONF-2FFS-CC 2 Fan Module on/off switched Free Standing Type	415x431x44	460x430x65	2,83	3,13	6	545x425x400	20,8	●	●	●	●	●	●																		
LN-FAN-ONF-4FFS-CC 4 Fan Module on/off switched Free Standing Type	415x431x44	460x430x65	3,9	4,15	6	545x425x400	26,9	●	●	●	●	●	●																		
LN-FAN-ONF-4FSR-CC 4 Fan Module on/off switched Free Standing Server Type	415x532x44	440x570x65	4,9	5,35	8	550x450x630	44							●	●																
LN-FAN-ONF-6FSR-CC 6 Fan Module on/off switched Free Standing Server Type	415x532x44	440x570x65	6,3	6,70	8	550x450x630	55							●	●																
LN-FAN-ONF-2FRM-CC 2 Fan Module on/off switched rack mount 19" compatible	482x150x44	460x430x65	2,6	2,95	8	550x430x450	25	●	●	●	●	●	●	●	●	●	●	●	●	●											
LN-FAN-ONF-4FRM-CC 4 Fan Module on/off switched rack mount 19" compatible	482x300x44	460x430x65	4,95	5,30	8	550x430x450	44	●	●	●	●	●	●	●	●	●	●	●	●	●											

* CC= Color Code, LG Light Grey RAL 7035, BL Black RAL 9005, customers to define while ordering



Fan Modules for wall Mounting, Free Standing and Server Type cabinets, additionally with rack mount type compatible with all model and brands of cabinets. ready pre-installed, plug-in and run style , with 0-35°C operating analog thermostat switch and plugs. Each Fan has an air flow capacity of 2,3-3 cbm/min. Fan Technical data : 13,8/11,8W, 220/240 VAC, 50/60 Hz, 0,07/0,06A, 2550/2750 rpm 42-47 dB noise level, Fan life: 50.000 hours (40°C). Allowable operating temperature -10°C~+70°C.

FAN MODULES with ANALOG THERMOSTAT	Logistics Data						COMPATIBLE WITH																									
							COMPATIBLE WITH		DYNAmic Series Free Standing Cabinets W (Width) x D (Depth) mm		DYNAmix Series Free Standing Server Cabinets W (Width) x D (Depth) mm		NETbox Series Wall Mounting Cabinets W (Width) x D (Depth) mm		19" NETox Series SOHO Cabinets W (Width) x D (Depth) mm		10" NETox Series SOHO Cabinets W (Width) x D (Depth) mm		19" NETox Home Series Cabinets W (Width) x D (Depth) mm		NETox Slim Series Cabinets W (Width) x D (Depth) mm		DYNAmic Frame Systems W 530 x D (Depth) mm									
Part Number* and Product Description	Product Dimensions mm	Pack Dimensions mm	Product Net Weight kg	Product Gross Weight kg	QTY in Box pcs	Box Dimensions mm	Box Gross Weight kg	600x600	600x800	600x1000	800x600	800x800	800x1000	600x1000	800x1000	600x450	600x600	600x450+150	540x300	540x400	312x300	600x150	600x300	522x480	Single Frame with 80mm depth Frame	Double Frame System with 80mm depth Frame D:670mm	Double Frame System with 80mm depth Frame D:870mm	Double Frame System with 80mm depth Frame D:1070mm	Single Frame with 160mm depth Frame			
LN-FAN-THM-1FWM-CC 1 Fan Module thermostat switched Wall Mounting Type	346x175x50	380x160x60	1,53	1,76	15	545x425x400	28,2									●	●	●	●	●												
LN-FAN-THM-2FWM-CC 2 Fan Module thermostat switched Wall Mounting Type	346x175x50	380x160x60	1,97	2,2	15	545x425x400	34,9									●	●	●	●	●												
LN-FAN-THM-1FFS-CC 1 Fan Module thermostat switched Free Standing Type	415x431x44	460x430x65	2,68	2,85	6	545x425x400	19,2	●	●	●	●	●	●																			
LN-FAN-THM-2FFS-CC 2 Fan Module thermostat switched Free Standing Type	415x431x44	460x430x65	3,08	3,33	6	545x425x400	22	●	●	●	●	●	●																			
LN-FAN-THM-4FFS-CC 4 Fan Module thermostat switched Free Standing Type	415x431x44	460x430x65	4,1	4,35	6	545x425x400	28,1	●	●	●	●	●	●																			
LN-FAN-THM-4FSR-CC 4 Fan Module thermostat switched Free Standing Server Type	415x532x44	440x570x65	5,1	5,55	7	545x425x610	42,9							●	●																	
LN-FAN-THM-6FSR-CC 6 Fan Module thermostat switched Free Standing Server Type	415x532x44	440x570x65	6,5	6,9	7	545x425x610	50,5							●	●																	
LN-FAN-THM-2FRM-CC 2 Fan Module thermostat switched rack mount 19" compatible	482x150x44	460x430x65	2,8	3,15	9	550x430x450	29,3	●	●	●	●	●	●	●	●	●	●	●	●	●	●											
LN-FAN-THM-4FRM-CC 4 Fan Module thermostat switched rack mount 19" compatible	482x300x44	460x430x65	5,15	5,5	7	550x430x450	39,5	●	●	●	●	●	●	●	●	●	●	●	●	●	●											

* CC= Color Code, LG Light Grey RAL 7035, BL Black RAL 9005, customers to define while ordering



Fan Modules for wall Mounting, Free Standing and Server Type cabinets, additionally with rack mount type compatible with all model and brands of cabinets. ready pre-installed, plug-in and run style, with 0-35°C operating digital thermostat switch and plugs. Each Fan has an air flow capacity of 2,3-3 cbm/min. Fan Technical data : 13,8/11,8W, 220/240 VAC, 50/60 Hz, 0,07/0,06A, 2550/2750 rpm 42-47 dB noise level, Fan life: 50.000 hours (40°C). Allowable operating temperature -10°C~+70°C.

FAN MODULES with DIGITAL THERMOSTAT		Logistics Data						COMPATIBLE WITH																						
								DYNAmic Series Free Standing Cabinets W (Width) x D (Depth) mm		DYNAmix Series Free Standing Server Cabinets W (Width) x D (Depth) mm		NETBox Series Wall Mounting Cabinets W (Width) x D (Depth) mm		19" NETBox Series SOHO Cabinets W (Width) x D (Depth) mm		10" NETBox Series SOHO Cabinets W (Width) x D (Depth) mm		19" NETBox Home Series Cabinets W (Width) x D (Depth) mm		NETBox Slim Series Cabinets W (Width) x D (Depth) mm		DYNAmix Frame Systems W 530 x D (Depth) mm								
Part Number* and Product Description	Product Dimensions mm	Pack Dimensions mm	Product Net Weight kg	Product Gross Weight kg	QTY in Box pcs	Box Dimensions mm	Box Gross Weight kg	600x600	600x800	600x1000	800x600	800x800	800x1000	600x1000	800x1000	600x450	600x600	600x450+150	540x300	540x400	312x300	600x150	600x300	522x480	Single Frame with 80mm depth Frame	Double Frame System with 80mm depth Frame D:670mm	Double Frame System with 80mm depth Frame D:870mm	Double Frame System with 80mm depth Frame D:1070mm	Single Frame with 160mm depth Frame	
LN-FAN-THD-2FFS-CC 2 Fan Module digital thermostat switched Free Standing Type	415x431x44	460x430x65	3,7	3,95	5	545x425x400	21,8	●	●	●	●	●	●																	
LN-FAN-THD-4FFS-CC 4 Fan Module digital thermostat switched Free Standing Type	415x431x44	460x430x65	4,8	5,2	5	550x430x450	27,9	●	●	●	●	●	●																	
LN-FAN-THD-4FSR-CC 4 Fan Module digital thermostat switched Free Standing Type	415x532x44	440x570x65	5,8	6,3	5	550x430x450	32,5							●	●															
LN-FAN-THD-6FSR-CC 6 Fan Module digital thermostat switched Free Standing Server Type	415x532x44	440x570x65	7,2	7,6	7	550x450x630	55							●	●															
LN-FAN-THD-2FRM-CC 2 Fan Module digital thermostat switched Free Standing Server Type	482x150x44	460x430x65	3,5	4,1	7	550x430x450	29,7	●	●	●	●	●	●	●	●															
LN-FAN-THD-4FRM-CC 4 Fan Module digital thermostat switched rack mount 19" compatible	482x300x44	460x430x65	5,8	6,1	6	550x430x450	37,7	●	●	●	●	●	●	●	●															

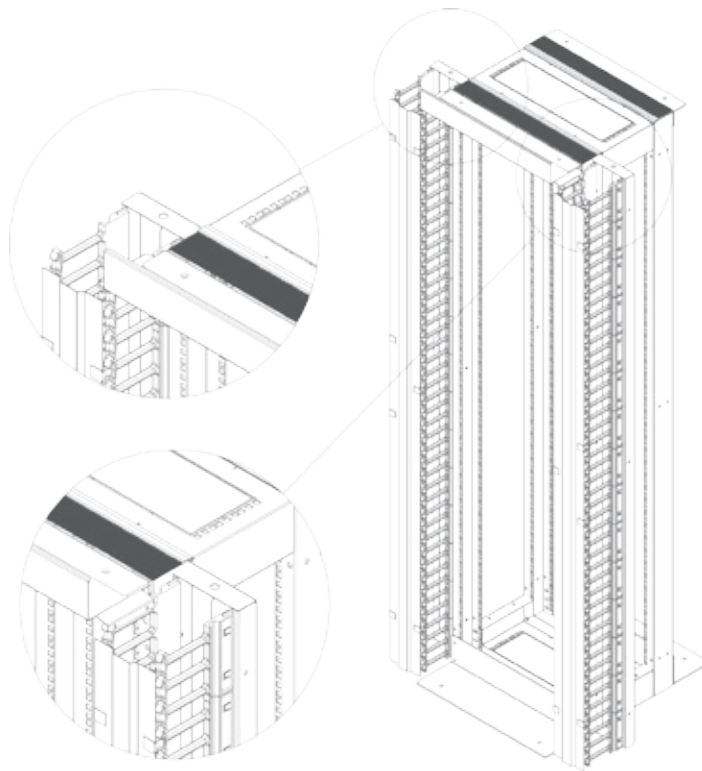
* CC= Color Code, LG Light Grey RAL 7035, BL Black RAL 9005, customers to define while ordering

Не бойся первой
ошибки, избегай
второй.

Fear not the first
mistake, avoid the
second.

Russian Proverb

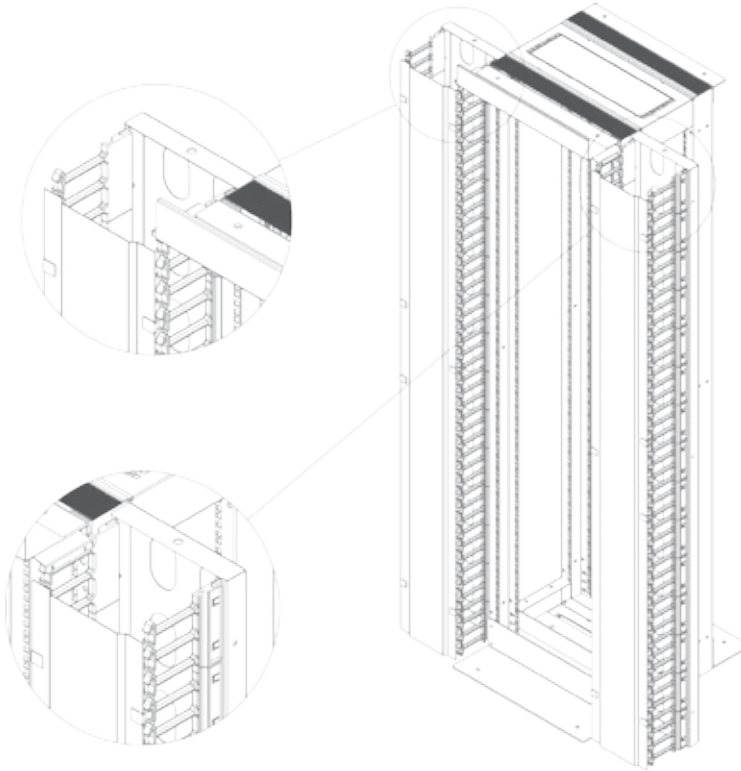




Vertical cable managers designed for DYNAframe range, integrated with Finger Style cable management PVC modules. Can be used on Single and Double Framed DYNAframe modules. Can be a common cable management trunking system once used between the two DYNAframe systems. W=135mm D=210mm sized in parallel with the U height of DYNAframe Systems, front cover plate is specially formed Extruded Aluminium material. Supply is in RAL 9005 Black and RAL 7035 Light Grey colors.

VERTICAL CABLE MANAGEMENT FOR OPEN FRAMES W=135mm D=210mm	Logistics Data							COMPATIBLE WITH																					
								COMPATIBLE WITH			DYNAMIC Series Free Standing Cabinets W (Width) x D (Depth) mm			DYNAMax Series Free Standing Server Cabinets W (Width) x D (Depth) mm			NETbox Series Wall Mounting Cabinets W (Width) x D (Depth) mm			SOHO Cabinets W (Width) x D (Depth) mm			19" NE Tbox Home Series Cabinets W (Width) x D (Depth) mm			NETbox Slim Series Cabinets W (Width) x D (Depth) mm			DYNAframe Frame Systems W 530 x D (Depth) mm
Part Number* and Product Description	Product Dimensions mm	Pack Dimensions mm	Product Net Weight kg	Product Gross Weight kg	QTY in Box pcs	Box Dimensions mm	Box Gross Weight kg	600x600	600x800	600x1000	800x600	800x800	800x1000	600x1000	800x1000	600x450	600x600	600x450+150	540x300	540x400	312x300	600x150	600x300	522x480	Single Frame with 80mm depth Frame	Double Frame System with 80mm depth Frame D:670mm	Double Frame System with 80mm depth Frame D:870mm	Double Frame System with 80mm depth Frame D:1070mm	Single Frame with 160mm depth Frame
LN-KDG-OFR-5315-CC Top Cable Through Header Unit	580x140x120	630x175x140	1,7	2,1	9	545x425x610	20,8																		●	●	●	●	●
LN-KDG-OFR-27U135-CC W=135mm D=210mm Vertical Cable Management Panel for Open Frames, Finger Type Cable Manager integrated Module 27U, 1 pcs	1345x135x210	1450x175x250	6	6,5	1	1450x175x250	6,5																		●	●	●	●	●
LN-KDG-OFR-36U135-CC W=135mm D=210mm Vertical Cable Management Panel for Open Frames, Finger Type Cable Manager integrated Module 36U, 1 pcs	1745x135x210	1850x175x250	7,1	7,7	1	1850x175x250	7,7																		●	●	●	●	●
LN-KDG-OFR-42U135-CC W=135mm D=210mm Vertical Cable Management Panel for Open Frames, Finger Type Cable Manager integrated Module 42U, 1 pcs	2011x135x210	2100x175x250	9,5	10,2	1	2100x175x250	10,2																		●	●	●	●	●
LN-KDG-OFR-45U135-CC W=135mm D=210mm Vertical Cable Management Panel for Open Frames, Finger Type Cable Manager integrated Module 45U, 1 pcs	2145x135x210	2250x175x250	10,1	10,9	1	2250x175x250	10,9																		●	●	●	●	●
LN-KDG-OFR-48U135-CC W=135mm D=210mm Vertical Cable Management Panel for Open Frames, Finger Type Cable Manager integrated Module 48U, 1 pcs	2278x135x210	2380x175x250	10,5	11,5	1	2380x175x250	11,5																		●	●	●	●	●

* CC= Color Code, LG Light Grey RAL 7035, BL Black RAL 9005, customers to define while ordering



Vertical cable managers designed for DYNAframe range, integrated with Finger Style cable management PVC modules. Can be used on Single and Double Framed DYNAframe modules. Can be a common cable management trunking system once used between the two DYNAframe systems. W=235mm D=210mm sized in parallel with the U height of DYNAframe Systems, front cover plate is specially formed Extruded Aluminium material. Supply is in RAL 9005 Black and RAL 7035 Light Grey colors.

VERTICAL CABLE MANAGEMENT FOR OPEN FRAMES W=235mm D=210mm	Logistics Data							COMPATIBLE WITH																					
								COMPATIBLE WITH		DYNAMIC Series Free Standing Cabinets W (Width) x D (Depth) mm		DYNAMax Series Free Standing Server Cabinets W (Width) x D (Depth) mm		NETbox Series Wall Mounting Cabinets W (Width) x D (Depth) mm		19" NE Tbox Series SOHO Cabinets W (Width) x D (Depth) mm		10" NE Tbox Series SOHO Cabinets W (Width) x D (Depth) mm		19" NE Tbox Home Series Cabinets W (Width) x D (Depth) mm		NETbox Slim Series Cabinets W (Width) x D (Depth) mm		DYNAframe Frame Systems W 530 x D (Depth) mm					
Part Number* and Product Description	Product Dimensions mm	Pack Dimensions mm	Product Net Weight kg	Product Gross Weight kg	QTY in Box pcs	Box Dimensions mm	Box Gross Weight kg	600x600	600x800	600x1000	800x600	800x800	800x1000	600x1000	800x1000	600x450	600x600	600x450+150	540x300	540x400	312x300	600x150	600x300	522x480	Single Frame with 80mm depth Frame	Double Frame System with 80mm depth Frame D:670mm	Double Frame System with 80mm depth Frame D:870mm	Double Frame System with 80mm depth Frame D:1070mm	Single Frame with 160mm depth Frame
LN-KDG-OFR-5315-CC Top Cable Through Header Unit	580x140x120	630x175x140	1,7	2,1	9	545x425x610	20,8																		●	●	●	●	●
LN-KDG-OFR-27U235-CC W=235mm D=210mm Vertical Cable Management Panel for Open Frames, Finger Type Cable Manager integrated Module 27U, 1 pcs	1345x235x210	1450x275x250	7,6	8,1	1	1450x275x250	8,1																		●	●	●	●	●
LN-KDG-OFR-36U235-CC W=235mm D=210mm Vertical Cable Management Panel for Open Frames, Finger Type Cable Manager integrated Module 36U, 1 pcs	1745x235x210	1850x275x250	9,8	10,4	1	1850x275x250	10,4																		●	●	●	●	●
LN-KDG-OFR-42U235-CC W=235mm D=210mm Vertical Cable Management Panel for Open Frames, Finger Type Cable Manager integrated Module 42U, 1 pcs	2011x235x210	2100x275x250	11,1	11,8	1	2100x275x250	11,8																		●	●	●	●	●
LN-KDG-OFR-45U235-CC W=235mm D=210mm Vertical Cable Management Panel for Open Frames, Finger Type Cable Manager integrated Module 45U, 1 pcs	2145x235x210	2250x275x250	12,5	13,3	1	2250x275x250	13,3																		●	●	●	●	●
LN-KDG-OFR-48U235-CC W=235mm D=210mm Vertical Cable Management Panel for Open Frames, Finger Type Cable Manager integrated Module 48U, 1 pcs	2278x235x210	2380x275x250	13,5	14,4	1	2380x275x250	14,4																		●	●	●	●	●

* CC= Color Code, LG Light Grey RAL 7035, BL Black RAL 9005, customers to define while ordering



Vertical Cable managers, for use of carrying the cables into the final connection point. Cable Manager sizes are W=97mm D=97mm. 5mm diameter steel wires specially formed and connected as a cable manager module. maximum openings for cable management are available due to wire mesh structure. Protection of cables is %100 level due to full radius structure on the wire mesh systems. Wire Mesh cable managers are zinc plated 8-12 micron. Front cover plate is specially formed Extruded Aluminium material. Front cover

plate is in RAL 9005 Black color for RAL 9005 Black Cabinets, in RAL 7016 Anthracite Grey color for RAL 7035 Light Grey Cabinets. Special clips hinge system allows opening right to left or left to right. 36U and higher product sizes, the front cover plate is splitted in to 2 parts where the quick access allowed to the required area

Velcro Stripes

For management of cables and to create cable reserve, or definition and separation of cables, 42cm long, 5pcs per pack set, 5 color option, Lande printed Velcro tapes.

VERTICAL CABLE MANAGEMENT PANELS FREE STANDING TYPE	Logistics Data						COMPATIBLE WITH																							
							DYNAmic Series Free Standing Cabinets W (Width) x D (Depth) mm		DYNAmix Series Free Standing Server Cabinets W (Width) x D (Depth) mm		NETbox Series Wall Mounting Cabinets W (Width) x D (Depth) mm		19" NETbox Series SOHO Cabinets W (Width) x D (Depth) mm		10" NETbox Series SOHO Cabinets W (Width) x D (Depth) mm		19" NETbox Home Series Cabinets W (Width) x D (Depth) mm		NETbox Slim Series Cabinets W (Width) x D (Depth) mm		DYNAmic Frame Systems W 530 x D (Depth) mm									
Part Number* and Product Description	Product Dimensions mm	Pack Dimensions mm	Product Net Weight kg	Product Gross Weight kg	QTY in Box pcs	Box Dimensions mm	Box Gross Weight kg	600x600	600x800	600x1000	800x600	800x800	800x1000	600x1000	800x1000	600x450	600x600	600x450+150	540x300	540x400	312x300	600x150	600x300	522x480	Single Frame with 80mm depth Frame	Double Frame System with 80mm depth Frame D:670mm	Double Frame System with 80mm depth Frame D:870mm	Double Frame System with 80mm depth Frame D:1070mm	Single Frame with 160mm depth Frame	
LN-KDG-ORG-22UD-CC 22U Wire Mesh Cable Management panel set left/right	97x97x996	220x120x1050	3,05	3,2	1	220x120x1050	3,2				●	●																		
LN-KDG-ORG-26UD-CC 26U Wire Mesh Cable Management panel set left/right	97x97x1175	220x120x1250	3,6	3,9	1	220x120x1250	3,9				●	●																		
LN-KDG-ORG-32UD-CC 32U Wire Mesh Cable Management panel set left/right	97x97x1440	220x120x1525	4,4	4,8	1	220x120x1525	4,8				●	●																		
LN-KDG-ORG-36UD-CC 36U Wire Mesh Cable Management panel set left/right	97x97x1620	220x120x1770	4,9	5,3	1	220x120x1770	5,3				●	●																		
LN-KDG-ORG-39UD-CC 39U Wire Mesh Cable Management panel set left/right	97x97x1752	220x120x1825	5,3	5,7	1	220x120x1825	5,7				●	●	●																	
LN-KDG-ORG-42UD-CC 42U Wire Mesh Cable Management panel set left/right	97x97x1885	220x120x1960	5,7	6,1	1	220x120x1960	6,1				●	●	●																	
LN-KDG-ORG-45UD-CC 45U Wire Mesh Cable Management panel set left/right	97x97x2020	220x120x2110	6,3	6,8	1	220x120x2110	6,8				●	●	●																	
LN-KDG-ORG-VLCR-01 Cable Management Velcro Tape, 5pcs per set- 42cm long- Yellow	-	-	-	-	-	-	-	●	●	●	●	●	●	●	●	●	●	●	●	●	●	●	●	●	●	●	●	●	●	●
LN-KDG-ORG-VLCR-02 Cable Management Velcro Tape, 5pcs per set- 42cm long- Red	-	-	-	-	-	-	-	●	●	●	●	●	●	●	●	●	●	●	●	●	●	●	●	●	●	●	●	●	●	●
LN-KDG-ORG-VLCR-03 Cable Management Velcro Tape, 5pcs per set- 42cm long- White	-	-	-	-	-	-	-	●	●	●	●	●	●	●	●	●	●	●	●	●	●	●	●	●	●	●	●	●	●	●
LN-KDG-ORG-VLCR-04 Cable Management Velcro Tape, 5pcs per set- 42cm long- Green	-	-	-	-	-	-	-	●	●	●	●	●	●	●	●	●	●	●	●	●	●	●	●	●	●	●	●	●	●	●
LN-KDG-ORG-VLCR-05 Cable Management Velcro Tape, 5pcs per set- 42cm long- Black	-	-	-	-	-	-	-	●	●	●	●	●	●	●	●	●	●	●	●	●	●	●	●	●	●	●	●	●	●	●

* CC= Color Code, LG Light Grey RAL 7035, BL Black RAL 9005, customers to define while ordering. This mark defines the color of cabinets, accordingly for Light Grey cabinet RAL 7016 Anthracite Grey Panel on vertical cable manager, and for Black Cabinet RAL 9005 Black Panel on vertical cable manager will be delivered.



Baying Kit fo Free Standing DYNAmic range cabinets while in use without side panels.

M6 Steel caged Nut Set, Screw and Nuts included, 20pcs set and 50 pcs set, and cabinet connection kit set accessories.

FIXING HARDWARE/ BAYING KIT	Logistics Data						COMPATIBLE WITH																							
							DYNAmic Series Free Standing Cabinets W (Width) x D (Depth) mm			DYNAmix Series Free Standing Server Cabinets W (Width) x D (Depth) mm		NETbox Series Wall Mounting Cabinets W (Width) x D (Depth) mm		19" NETbox Series SOHO Cabinets W (Width) x D (Depth) mm		10" NETbox Series SOHO Cabinets W (Width) x D (Depth) mm		19" NETbox Home Series Cabinets W (Width) x D (Depth) mm		NETbox Slim Series Cabinets W (Width) x D (Depth) mm		DYNAmix Frame Systems W 530 x D (Depth) mm								
Part Number* and Product Description	Product Dimensions mm	Pack Dimensions mm	Product Net Weight kg	Product Gross Weight kg	QTY in Box pcs	Box Dimensions mm	Box Gross Weight kg	600x600	600x800	600x1000	800x600	800x800	800x1000	600x1000	800x1000	600x450	600x600	600x450+150	540x300	540x400	312x300	600x150	600x300	522x480	Single Frame with 80mm depth	Double Frame System with 80mm depth	Double Frame System with 80mm depth	Double Frame System with 80mm depth	Single Frame with 160mm depth	
LN-DGR-BGL-FSSR-CC Baying Kit, 1 Set 4 pcs, U shaped, for all free standing cabinets usage without side panels	-	145x100x50	0,71	0,81	26	560x425x122	22	●	●	●	●	●	●	●	●	●	●	●	●	●	●	●	●	●	●	●	●	●	●	●
LN-DGR-KFS-M620-XX M6 Cage Nut Set, 1 Set 20 pcs, screw, nut, washer	-	82x82x100	0,16	0,25	30	560x425x122	8,4	●	●	●	●	●	●	●	●	●	●	●	●	●	●	●	●	●	●	●	●	●	●	●
LN-DGR-KFS-M650-XX M6 Cage Nut Set, 1 Set 50 pcs, screw, nut, washer	-	82x82x100	0,39	0,48	30	560x425x122	15,4	●	●	●	●	●	●	●	●	●	●	●	●	●	●	●	●	●	●	●	●	●	●	●

* CC= Color Code, LG Light Grey RAL 7035, BL Black RAL 9005, customers to define while ordering.

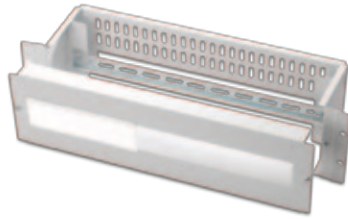


20-40 °C operating with color changing function, Lande Thermometer tapes are sticking to internal side of glass door, where need of tracing the internal temperature inside the cabinet, mainly used at wall cabinets where strict temperature measurements are not needed.

(-10/+50 °C operating function, double lithium battery, 2 years life Lande Digital thermometers are supplied integrated on decorative ABS Header Unit for NETbox wall mounting cabinets and DYNAmix server cabinets.

THERMOMETERS	Logistics Data						COMPATIBLE WITH																							
							DYNAmic Series Free Standing Cabinets W (Width) x D (Depth) mm			DYNAmix Series Free Standing Server Cabinets W (Width) x D (Depth) mm		NETbox Series Wall Mounting Cabinets W (Width) x D (Depth) mm		19" NETbox Series SOHO Cabinets W (Width) x D (Depth) mm		10" NETbox Series SOHO Cabinets W (Width) x D (Depth) mm		19" NETbox Home Series Cabinets W (Width) x D (Depth) mm		NETbox Slim Series Cabinets W (Width) x D (Depth) mm		DYNAmix Frame Systems W 530 x D (Depth) mm								
Part Number and Product Description	Product Dimensions mm	Pack Dimensions mm	Product Net Weight kg	Product Gross Weight kg	QTY in Box pcs	Box Dimensions mm	Box Gross Weight kg	600x600	600x800	600x1000	800x600	800x800	800x1000	600x1000	800x1000	600x450	600x600	600x450+150	540x300	540x400	312x300	600x150	600x300	522x480	Single Frame with 80mm depth	Double Frame System with 80mm depth	Double Frame System with 80mm depth	Double Frame System with 80mm depth	Single Frame with 160mm depth	
LN-THM-SRT Lande Thermometer tape, 20-40 C operating with color changing function	-	-	-	-	10	235x105	-	●	●	●	●	●	●	●	●	●	●	●	●	●	●	●	●	●	●	●	●	●	●	●
LN-THM-ELC Lande Digital Thermometer , 0-35 C, double lithium battery incl, together with ABS header Unit of cabinets	-	620x80x50	0,4	0,55	1	620x80x50	0,55							●	●	●	●	●												

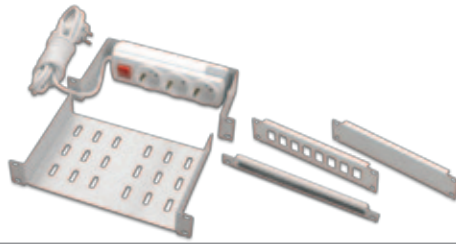
** Applicable at polycarbonate door option of NETbox Slim Wall Mounting Cabinets.



3U 19" DIN RAIL integrated, Electrical Distribution box supply is in RAL 7035 Light Grey and RAL 9005 Black colors. At a capacity of 18 Modules. Front Opening is covered with PVC module cover plates which are breakable as per used capacity.

3U 19" ELECTRICAL DISTRIBUTION BOX and ACCESSORIES	Logistics Data		COMPATIBLE WITH																										
			DYNAMIC Series Free Standing Cabinets W (Width) x D (Depth) mm			DYNAMax Series Free Standing Server Cabinets W (Width) x D (Depth) mm			NETbox Series Wall Mounting Cabinets W (Width) x D (Depth) mm			19" NETbox Series SOHO Cabinets W (Width) x D (Depth) mm			10" NETbox Series SOHO Cabinets W (Width) x D (Depth) mm			19" NETbox Home Series Cabinets W (Width) x D (Depth) mm			NETbox Slim Series Cabinets W (Width) x D (Depth) mm			DYNAlframe Frame Systems W 530 x D (Depth) mm					
Part Number* and Product Description	Product Dimensions mm	Pack Dimensions mm	Product Net Weight kg	Product Gross Weight kg	QTY in Box pcs	Box Dimensions mm	Box Gross Weight kg	600x600	600x800	600x1000	800x600	800x800	800x1000	600x1000	800x1000	600x450	600x600	600x450+150	540x300	540x400	312x300	600x150	600x300	522x480	Single Frame with 80mm depth Frame	Double Frame System with 80mm depth Frame D:670mm	Double Frame System with 80mm depth Frame D:870mm	Double Frame System with 80mm depth Frame D:1070mm	Single Frame with 160mm depth Frame
LN-PRZ-MOD-3U15-CC 3U 19" electrical distribution box 18 module capacity	482x123x133	500x150x155	2,59	2,89	4	545x425x400	13,6	●	●	●	●	●	●	●	●	●	●	●	●	●	●	●	●	●	●	●	●	●	●
LN-PRZ-SGT-316A-XX Miniature circuit breaker, 3phase, 3x16A 220/380vac	-	-	-	-	-	-	-	●	●	●	●	●	●	●	●	●	●	●	●	●	●	●	●	●	●	●	●	●	●
LN-PRZ-SGT-116A-XX Miniature circuit breaker, 3phase, 3x16A 220/380vac	-	-	-	-	-	-	-	●	●	●	●	●	●	●	●	●	●	●	●	●	●	●	●	●	●	●	●	●	●
LN-PRZ-SCK-SSRM-XX Schuko Socket, Rail Type, 250vac, 16A	-	-	-	-	-	-	-	●	●	●	●	●	●	●	●	●	●	●	●	●	●	●	●	●	●	●	●	●	●

* CC= Color Code, LG Light Grey RAL 7035, BL Black RAL 9005, customers to define while ordering.



Specifically designed accessory range for 10" w=312 D=300mm cabinets. Various functions in its product range are available , as for energy distribution, equipment housing, cable management.

10" NETbox SOHO Accessories	Logistics Data		COMPATIBLE WITH																											
			DYNAMIC Series Free Standing Cabinets W (Width) x D (Depth) mm			DYNAMax Series Free Standing Server Cabinets W (Width) x D (Depth) mm			NETbox Series Wall Mounting Cabinets W (Width) x D (Depth) mm			19" NETbox Series SOHO Cabinets W (Width) x D (Depth) mm			19" NETbox Home Series Cabinets W (Width) x D (Depth) mm			NETbox Slim Series Cabinets W (Width) x D (Depth) mm			DYNAlframe Frame Systems W 530 x D (Depth) mm									
Part Number and Product Description	Product Dimensions mm	Pack Dimensions mm	Product Net Weight kg	Product Gross Weight kg	QTY in Box pcs	Box Dimensions mm	Box Gross Weight kg	600x600	600x800	600x1000	800x600	800x800	800x1000	600x1000	800x1000	600x450	600x600	600x450+150	540x300	540x400	312x300	600x150	600x300	522x480	Single Frame with 80mm depth Frame	Double Frame System with 80mm depth Frame D:670mm	Double Frame System with 80mm depth Frame D:870mm	Double Frame System with 80mm depth Frame D:1070mm	Single Frame with 160mm depth Frame	
LN-SBT-RMO-1U10-CC 1U 10" Shelf D=150mm	254x150x44	270x165x50	0,37	0,45	32	545x425x400	15,5														●									
LN-KDG-YKD-05FC-CC 1/2U 10" Cable Management Panel brushed, for patchcord entry	254x12x22	265x20x50	0,07	0,11	66	560x425x122	8,5															●								
LN-PNL-SP-1U8P-CC 1U patch panel empty for RJ45 keystone jacks	254x12x44	265x20x50	0,27	0,31	66	560x425x122	21,5															●								
LN-PRZ-ONF-1U3P-SC 1U 10" 3 way power Stripe, with plug and on/off Switch	254x100x44	270x165x50	0,60	0,70	14	560x425x122	11															●								
LN-PNL-KPN-1U10-CC 1U 10" Blank Panel	254x12x44	265x20x50	0,09	0,13	66	560x425x122	9,5															●								

Düzlük
ən yaxşı
siyasətdir.

Honesty is
the best policy.

Azerbaijani Proverb



COMPLIMENTARY RANGE of A C C E S S O R I E S

Professional PDUs and KVM Console Units and
Cabinet Control & Management Units



19" Ampermeter Display PDU



Product Part Number	Product Description
LN-PRZ-AMP-1U6P-IE	6xIEC 320 C13 Socket PDU with Ampermeter Display, 19" 1U, aluminium profile frame, 1x16A MCB, 4000 Watt, 250V AC, 3x2.5mm2, 3m cord with IEC60309 plug (16A 2P+E), CE mark
Socket Type	IEC320 C 13
Socket Quantity	6 way
Power Input	Left side single input
Brackets	Frontal installation
Cable with Plug	IEC60309 plug (16A 2P+E)
Control Function	with Master Air Circuit Breaker
Protection Function	CR32 Amp Meter 1 pcs
Case Color	Black
Cable Specification	3x2,5mm2 - 3meter
WXDXH mm	482,6 (19")x44x44
Rating Voltage	250 VAC 50/60 Hz
Rating Current	16A
Max Power	4000W
Safety	CE
Interior Connection wire	1,5mm2

Vertical Assembly Ampermeter Display PDU

Product Part Number	Product Description
LN-PRZ-AMP-DM24-IE	24xIEC 320 (20xC13 + 4xC19) Socket PDU with Ampermeter Display, ZeroU, aluminium profile frame, 2x16A MCB, 8000 Watt, 250V AC, 3x6.0mm2, 3m cord with IEC60309 plug (32A 2P+E), CE mark
Socket Type	Anti-fall IEC320 C13 Socket 20pcs, IEC320 C19 Socket 4 pcs
Socket Quantity	24Way
Power Input	Left side single input
Brackets	Inverse Installation function
Cable with Plug	IEC60309 plug (32A 2P+E)
Protection Function	CR32 Amp Meter 1 pcs
Case Color	Black
Cable Specification	3x6mm2 - 3meter
WXDXH mm	44x62x1648
Rating Voltage	250 VAC 50/60 Hz
Rating Current	32A
Max Power	8000W
Safety	CE
Interior Connection wire	2,5mm2



COMPLIMENTARY RANGE of ACCESSORIES

Professional PDU



Vertical Monitored PDU

Product Part Number		Product Description	
LN-PRZ-IZP-DM20-IE		20xIEC 320 (16xC13 + 4xC19) Socket, MONITORED IP PDU with Ampermeter Display, ZeroU, aluminium profile frame, 1x32A MCB, 8000 Watt, 250V AC, 3x6.0mm ² , 3m cord with IEC60309 plug (32A 2P+E), CE mark, daisy-chain function upto 10 units, Remote Monitoring port	
Main Function		Parameter	
Monitor		Total load current	
		Input voltage	
		Total energy consumption (kWh)	
		Total power (kW) and power factor	
		System operating state (RUN indicator)	
		Temperature and humidity state	
Keep the former state		Keep the former state of group or individual outlet after reset	
Automatic Alarm	User defined Alarm	Threshold of total load current	
	System automatic Alarm	Threshold of temperature and humidity	
		Threshold of total load current is exceeded	
Energy consumption metering		Record the total energy consumption (kWh)	
Alarm		RUN indicator on controlling panel flashes and buzzer sounds	
		Indicator on Web interface flashes	
		Send Email to administrator automatically	
		Send SMS to administrator (not available in some countries)	
		SNMP send Trap alarm information	
		Logical port output level signal (RJ11 port, ≤50VDC)	
Daisy-chain		10 NPM for daisy-chain (≤5 is suggested)	
Log record		Record and save the operation and alarm information which can be checked and output	
Time management		SNTP to realize network time synchronization	
User management		Different user permission configuration	
		Outlet alarm permission configuration	
		Set the permission to clear the energy consumption (kWh)number	
Accessing method		Web, access via IE	
		SNMP V1,V2 support	
		Telnet, SSH (optional)	
Software system		Multi-user operation system, support software upgrade	
Input/output			
Input		Rated input voltage	250V~50/60 Hz
		Input terminal type	IEC 60309 plug
		Cable specification	3×6.0mm ² ;
		Cable length	3 M
		Plug Type	IEC60309 plug (32A 2P+E)
		The max input current	32A
Output		Outlet standard	IEC320 C13 socket Rated current 10A 16 way
		Outlet standard	IEC320 C19 socket Rated current 16A 4 way
		Rated output voltage	250VAC
Dimension		Product size	WXDXH =44x66x1354mm
Optional Accessories			
Sensor		Water-logging, Door Open, Smoke, Temperature/humidity	

Vertical Managed PDU

Product Part Number		Product Description	
LN-PRZ-YNP-DM20-IE		20xIEC 320 (16xC13 + 4xC19) Socket, MANAGED IP PDU with Ampermeter Display, ZeroU, aluminium profile frame, 1x32A MCB, 8000 Watt, 250V AC, 3x6.0mm ² , 3m cord with IEC60309 plug (32A 2P+E), CE mark, daisy-chain function upto 10 units, Remote Management port	
Main Function		Parameter	
Monitor		Total load current	
		Input voltage	
		Total energy consumption (kWh)	
		Total power (kW) and power factor	
		Outlet power (KW)	
		Outlet load current	
		Outlet state (on/off)	
		System operating state (RUN indicator)	
Control		Temperature and humidity state	
		Outlet switching	
		Set the delay of outlet sequential switching	
		Set the automatic switching time of outlet	
Keep the former state		Set to cut off power or not when overload occurs	
Automatic Alarm		Keep the former state of group or individual outlet after reset	
	User defined Alarm	Threshold of total load current	
	System automatic Alarm	Threshold of outlet load current	
		Threshold of temperature and humidity	
		Threshold of total load current is exceeded	
		Threshold of outlet load current is exceeded	
Energy consumption metering		Record the total energy consumption (kWh)	
		Record the energy consumption of individual outlet	
Alarm		RUN indicator on controlling panel flashes and buzzer sounds	
		Indicator on Web interface flashes	
		Send Email to administrator automatically	
		Send SMS to administrator (depends on country GSM network authorizations)	
		SNMP send Trap alarm information	
		Logical port output level signal (RJ11 port, ≤50VDC)	
Daisy-chain		10 NPM for daisy-chain (≤5 is suggested)	
Log record		Record and save the operation and alarm information which can be checked and output	
Time management		SNTP to realize network time synchronization	
User management		Different user permission configuration	
		Outlet alarm permission configuration	
		Set the permission to clear the energy consumption (kWh) number	
Accessing method		Web, access via IE	
		SNMP V1, V2 support	
		Telnet, SSH (optional)	
Software system		Multi-user operation system, support software upgrade	
		Input/output	
Input		Rated input voltage	250V~50/60 Hz
		Input terminal type	IEC 60309 plug
		Cable specification	3×6.0mm ² ;
		Cable length	3 M
		Plug Type	32A IEC60309 plug
		The max input current	32A
Output		Outlet standard	IEC320 C13 socket Rated current 10A 16 way
		Outlet standard	IEC320 C19 socket Rated current 16A 4 way
		Rated output voltage	250VAC
Dimension		Product size	WXDXH =44x66x1826mm
		Optional Accessories	
Sensor		Water-logging, Door Open, Smoke, Temperature/humidity	



Product Part Number : LN-LCD1701

Product Description

17" LCD KVM Console (Disassembly design for Keyboard, Touch Pad Mouse)

KVM console module featuring an integrated 17" LCD panel, over-thin keyboard, and touchpad in a 1U rack-mountable housing. With a grade 17" TFT LCD, The highest resolution: 1920*1080 60HZ; the optimum resolution: 1280*1024 60HZ; Compared with traditional keyboards, monitor and mouse, it could save almost 85% space.

Control platform with LCD, keyboard, mouse. 17" LCD screen with high brightness, high clear and high resolution. Control platform can be totally pulled out from the cabinet and the LCD screen can be turned on to 120 degrees.

1U height, suitable for 19" standard cabinet installation and metal structure. Ultra thin keyboard with keypad. Mouse touch board with two function button. Front panel with lock to prevent damage by accident. Built-in Or External power. Automatic power on/off. When pulling control platform out from cabinet, the power turns on automatically. When pushing it into the cabinet, the power turns off automatically. Easy use of OSD menu. CE and ROHS certified.



Product Part Number	LN-LCD1701	
LCD Monitor	Monitor	17" SXGA Color TFT-LCD
	Active Area	337.920(H)×270.336(V)mm
	Resolution(optimal)	1280*1024 60HZ
	Support Color	16.7M colors (RGB 6-bits + FRC data)
	White Luminance	300 (center,Typ)@7.5mA
	Contrast Ratio	1000 : 1 (Typ)
	Back-light	CCFL two lamps
	Pixel Pitch	0.264(per one triad)x0.264
	LCD MTBF	50,000 hours
	Input power	DC 12V
Keyboard	Keyboard	99keys
	Compatible IBM/AT	WIN95/98/98SE/ME/200/XP, VISTA, WIN 7, WIN NT, UNIX, LINUX.
	Port	Standard PS/2&USB
Mouse	Using life	>1.000.000 times
	X/Y resolution	1000dots/inch (40x40/mm)
	Hardware connector	Standard PS/2&USB
	OS support	WIN95/98/98SE/ME/200/XP, VISTA, WIN 7, WIN NT, UNIX, LINUX.
Power built-in	Using life	>1.000.000 dots
	Power input(AC)	~100V-240V
	Using life	MTBF>60,000 hours 25°C
PC ports	1	
VGA resolution(highest)	1920*1080 60HZ	
VGA bandwidth	300MHz	
House color	Black	
House	Metal	
Dimensions	446mm x 636mm x 42mm	
Rack installation depth	600mm ~ 1200mm(adjustable)	
Operating/Storage Temperature	0 ~ 50 °C / - 20 ~60 °C	

COMPLIMENTARY RANGE of ACCESSORIES KVM Console UNITS

Product Part Number: LN-LCD1708

Product Description

17" LCD KVM SWITCH in 8 ports, combo support(USB/PS.2), combo cable included.

LCD KVM Switch featuring an integrated 17" LCD panel, over-thin keyboard, and touchpad in a 1U rack-mountable housing. With a grade 17" TFT LCD, The highest resolution: 1920*1080 60HZ; the optimum resolution: 1280*1024 60HZ. Compared with traditional keyboards, monitor and mouse, it could save almost 85% space.

Control platform with LCD, keyboard, mouse and multiple ports KVM switch. 17" LCD screen with high brightness, high clear and high resolution. Control platform can be totally pulled out from the cabinet and the LCD screen can be turned on to 120 degrees.

1U height, suitable for 19" standard cabinet installation and metal structure. Ultra thin keyboard with keypad. Mouse touch board with two function button. Front panel with lock to prevent damage by accident. Built-in Or External power. Automatic power on/off. When pulling control platform out from cabinet, the power turns on automatically. When pushing it into the cabinet, the power turns off automatically. Easy use of OSD menu. CE and ROHS certified.

Switch; One control platform can control 8 computers by direct connection.
One control platform can control 128 computers by 2 level cascade connection.
Be compatible with PS/2, USB standard interface.
Support VGA, SVGA, XGA video input.
Accord with DDC, DDC2, DDC2B standard and VESA standard.
Support resolution of 1280*1024 60HZ;
Support multiple operating systems: WIN95/98/98SE/ME/200/XP, VISTA, WIN 7, WIN NT, UNIX, LINUX.



Product Part Number	LN-LCD1708	
LCD Monitor	Monitor	17" SXGA Color TFT-LCD
	Active Area	337.920(H)×270.336(V)mm
	Resolution(optimal)	1280*1024 60HZ
	Support Color	16.7M colors (RGB 6-bits + FRC data)
	White Luminance	300 (center,Typ)@7.5mA
	Contrast Ratio	1000 : 1 (Typ)
	Back-light	CCFL two lamps
	Pixel Pitch	0.264(per one triad)x0.264
	LCD MTBF	50,000 hours
Keyboard	Input power	DC 12V
	Keyboard	105keys 88host keys +17number keys
	Compatible IBM/AT	WIN95/98/98SE/ME/200/XP, VISTA, WIN 7, WIN NT, UNIX, LINUX.
	Port	Standard PS/2&USB
Mouse	Using life	>1.000.000 times
	X/Y resolution	1000dots/inch (40x40/mm)
	Hardware connector	Standard PS/2&USB
	OS support	WIN95/98/98SE/ME/200/XP, VISTA, WIN 7, WIN NT, UNIX, LINUX.
Power built-in	Using life	>1.000.000 dots
	Power input(AC)	~100V-240V
Using life	MTBF>60,000 hours 25°C	
PC ports	8	
PC selection	Hotkey, OSD Menu	
VGA resolution(highest)	1920*1080 60HZ	
VGA bandwidth	300MHz	
House color	Black	
House	Metal	
Dimensions	446mm x 636mm x 42mm	
Rack installation depth	600mm ~ 1200mm(adjustable)	
Operating/Storage Temperature	0 ~ 50 °C / - 20 ~60 °C	

Product Part Number: LN-LCD1716

Product Description

17" LCD KVM SWITCH in 16 ports, combo support(USB/PS.2), combo cable included.

LCD KVM Switch featuring an integrated 17" LCD panel, over-thin keyboard, and touchpad in a 1U rack-mountable housing. With a grade 17" TFT LCD, The highest resolution: 1920*1080 60HZ; the optimum resolution: 1280*1024 60HZ. Compared with traditional keyboards, monitor and mouse, it could save almost 85% space.

Control platform with LCD, keyboard, mouse and multiple ports KVM switch. 17" LCD screen with high brightness, high clear and high resolution. Control platform can be totally pulled out from the cabinet and the LCD screen can be turned on to 120 degrees.

1U height, suitable for 19" standard cabinet installation and metal structure. Ultra thin keyboard with keypad. Mouse touch board with two function button. Front panel with lock to prevent damage by accident. Built-in Or External power. Automatic power on/off. When pulling control platform out from cabinet, the power turns on automatically. When pushing it into the cabinet, the power turns off automatically. Easy use of OSD menu. CE and ROHS certified.

Switch; One control platform can control 16 computers by direct connection.

One control platform can control 256 computers by 2 level cascade connection.

Be compatible with PS/2, USB standard interface.

Support VGA, SVGA, XGA video input.

Accord with DDC, DDC2, DDC2B standard and VESA standard.

Support resolution of 1920*1440 60HZ;

Support multiple operating systems: WIN95/98/98SE/ME/200/XP, VISTA,

WIN 7, WIN NT, UNIX, LINUX.

Product Part Number	LN-LCD1716	
LCD Monitor	Monitor	17" SXGA Color TFT-LCD
	Active Area	337.920(H)×270.336(V)mm
	Resolution(optimal)	1280*1024 60HZ
	Support Color	16.7M colors (RGB 6-bits + FRC data)
	White Luminance	300 (center,Typ)@7.5mA
	Contrast Ratio	1000 : 1 (Typ)
	Back-light	CCFL two lamps
	Pixel Pitch	0.264(per one triad)x0.264
	LCD MTBF	50,000 hours
Keyboard	Input power	DC 12V
	Keyboard	105keys 88host keys +17number keys
	Compatible IBM/AT	WIN95/98/98SE/ME/200/XP, VISTA, WIN 7, WIN NT, UNIX, LINUX.
	Port	Standard PS/2&USB
Mouse	Using life	>1.000.000 times
	X/Y resolution	1000dots/inch (40x40/mm)
	Hardware connector	Standard PS/2&USB
	OS support	WIN95/98/98SE/ME/200/XP, VISTA, WIN 7, WIN NT, UNIX, LINUX.
Power built-in	Using life	>1.000.000 dots
	Power input(AC)	~100V-240V
Using life	MTBF>60,000 hours 25°C	
PC ports	16	
PC selection	Hotkey, OSD Menu	
VGA resolution(highest)	1920*1080 60HZ	
VGA bandwidth	300MHz	
House color	Black	
House	Metal	
Dimensions	446mm x 636mm x 42mm	
Rack installation depth	600mm ~ 1200mm(adjustable)	
Operating/Storage Temperature	0 ~ 50 °C / - 20 ~60 °C	



COMPLIMENTARY RANGE of ACCESSORIES

Cabinet Control & Management UNITS



Part Number	Description
LN-RMS-111	Hardware Features
	* 1x220VAC Input
	* 1 x RJ 45 Port (for Network), 1x RJ12 Port (for Sensor)
	* 1x RS232(GSM Modem),2 x USB(1x Web cam,1 x Console)
	* Up to 16 Sensor Support
	* Alarms and sensor reading on LCD
	* Wireless Network Option
	* CE Marked
	Software Features
	* Active Directory, LDAP Compatible
	* SNMP Support
	* IP base acces control
	* Providing Continuity Control by sending ping to defined IP address in defined periods
	* 4 Level alarm threshold Setting
	* Alarm sending via E-Mail- SMS(Optional)
	* Access logging Memory
* User acces report sending via SMS(optional) or e-mail	
* Third party software integration via SNMP Trap	

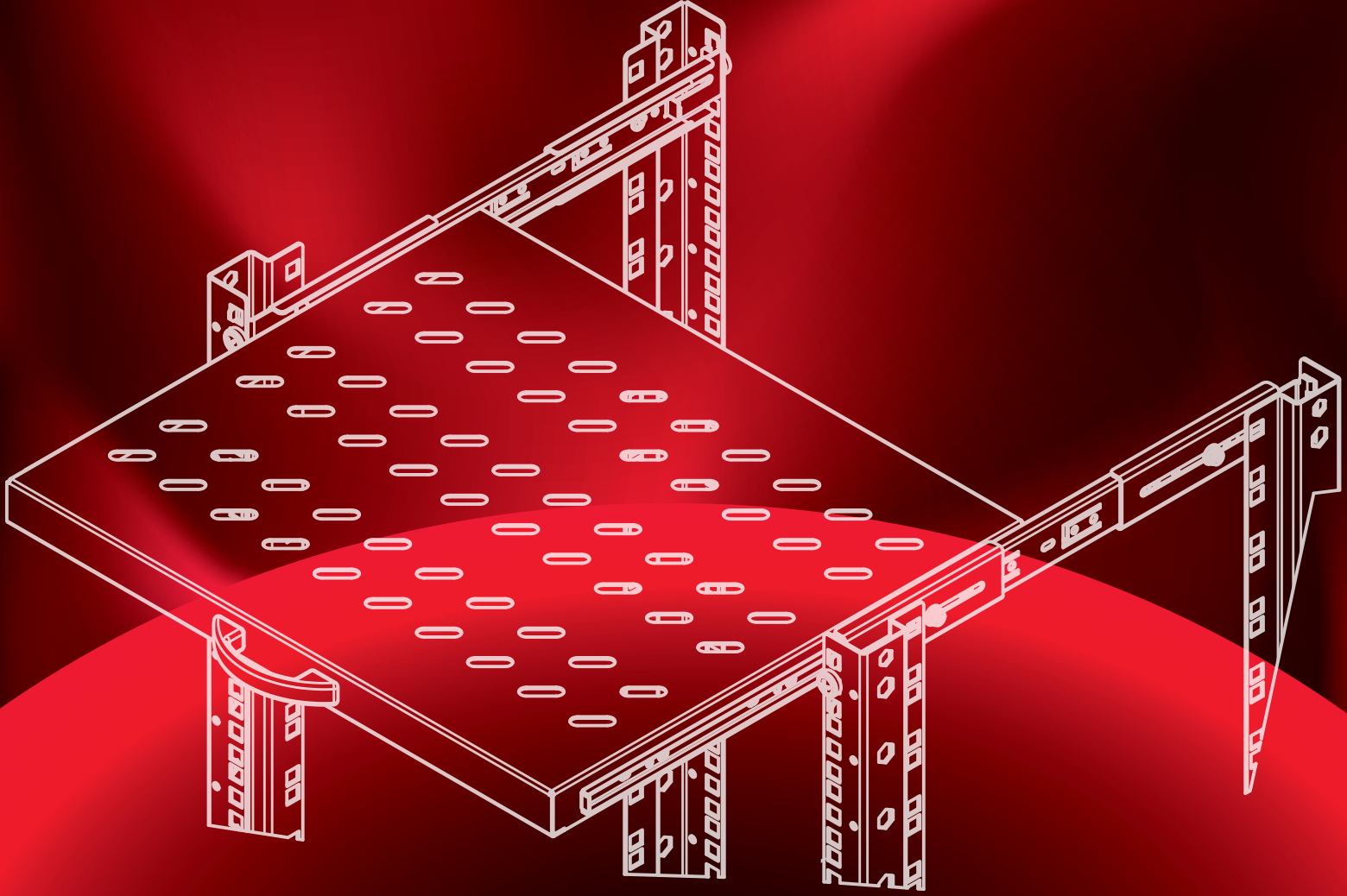


Part Number	Description
LN-RMS-ST5	Single temperature sensor - 3m cable length - RJ-12 connector, Sensing -55 to + 125 C, 0,03 C sensitivity
LN-RMS-CTH	Single combo temperature and humidity sensors - 3m cable length - RJ-12 connector Sensing -55 to + 125 C, 0,03 C sensitivity, Sensing 0-%90 RH Humidity, % 1 Sensitivity
LN-RMS-3CTH	Combo of 3 temperature and 1 humidity sensors (T, T+H and T) - 3m cable length and additional 3m between combination sensors- RJ-12 connector Sensing -55 to + 125 C, 0,03 C sensitivity, Sensing 0-%90 RH Humidity, % 1 Sensitivity
LN-RMS-SAS	Single airflow sensor Sensitivity %2
LN-RMS-DCC	Dual contact closure sensor
LN-RMS-4PH	4-port hub for environmental sensors
LN-RMS-FWS	Floor water sensor Open/Close function
LN-RMS-FWS1M	1meter rope water sensor w/LN-RMS-DCC Open/Close function
LN-RMS-DC	Door Contact Sensor Open/Close function
LN-RMS-SS	Smoke Sensor Open/Close function
LN-RMS-WC	Web Cam
LN-RMS-GSM	GSM Modem (For Sending SMS)
LN-RMS-VOS	Voltage Sensing Sensor Open/Close function
LN-RMS-VIS	Vibration Sensör Open/Close function
LN-RMS-MDS	Motion Detection Sensor Open/Close function



Useful Drawings of Shelf Depth

A D J U S T M E N T S

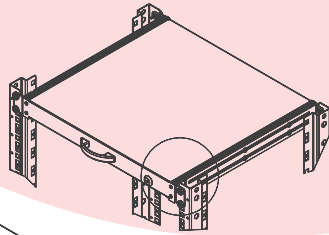


Please consider depth adjustments of shelves, matching with cabinet max/std/min equipment mounting distances in related catalogue pages of each product size.

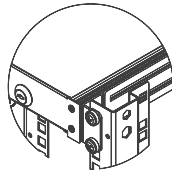
GENERAL STORAGE DRAWERS

Part Number*	Product Description
LN-RAF-CEK-1U40-CC	1U 19" Keyboard and General Storage Drawer D=400mm
LN-RAF-CEK-2U40-CC	2U 19" Keyboard and General Storage Drawer D=400mm
LN-RAF-CEK-3U40-CC	3U 19" Keyboard and General Storage Drawer D=400mm

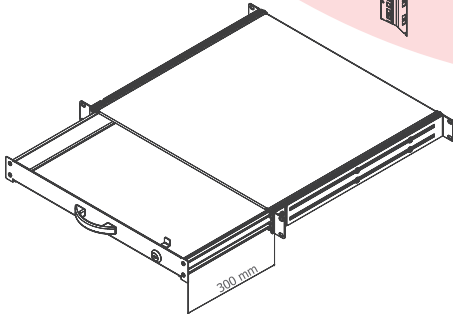
* CC= Color Code, LG Light Grey RAL 7035, BL Black RAL 9005, customers to define while ordering



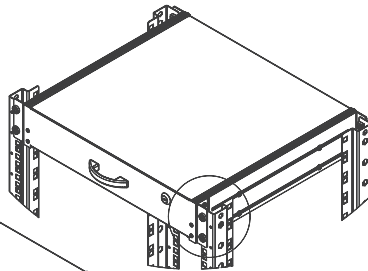
ISOMETRIC VIEW



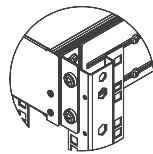
MOUNTING VIEW



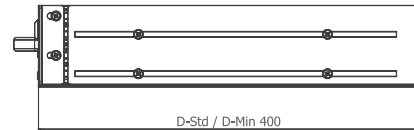
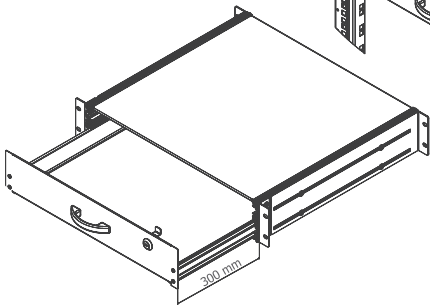
MAX-STD-MIN DRAWER DEPTH ADJUSTMENT VIEW



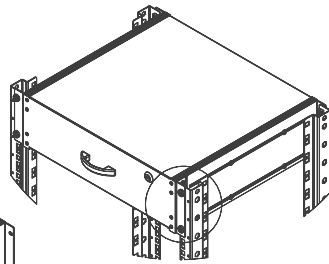
ISOMETRIC VIEW



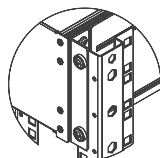
MOUNTING VIEW



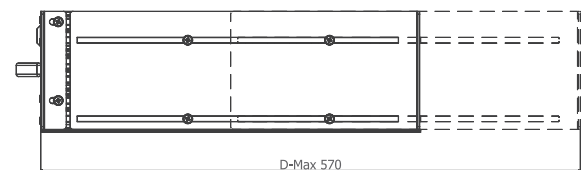
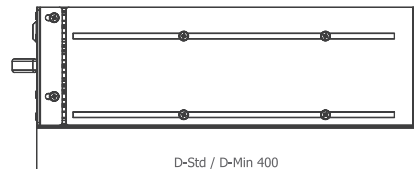
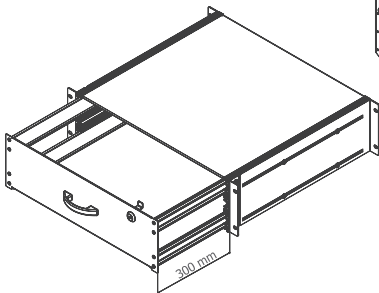
MAX-STD-MIN DRAWER DEPTH ADJUSTMENT VIEW



ISOMETRIC VIEW



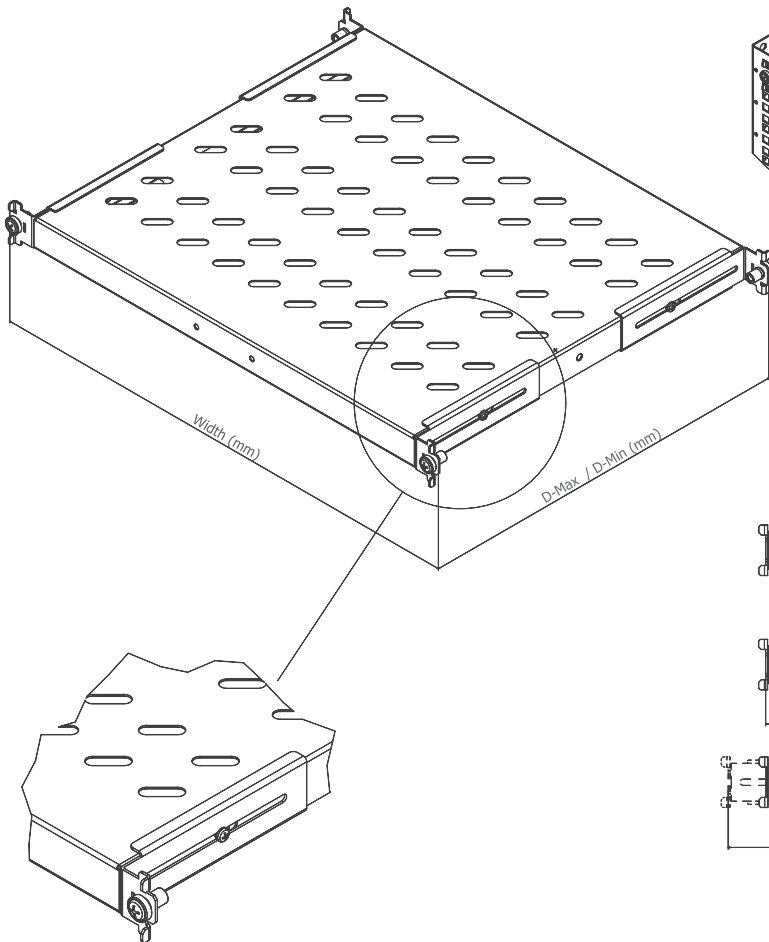
MOUNTING VIEW



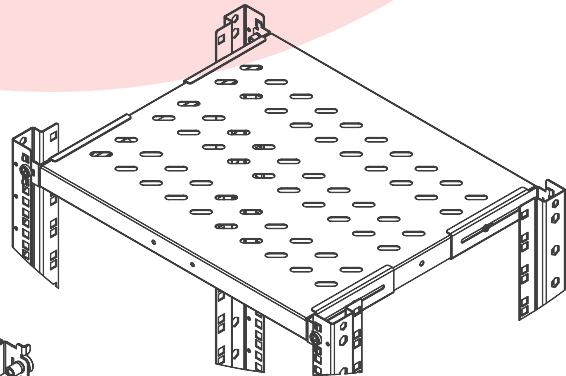
MAX-STD-MIN DRAWER DEPTH ADJUSTMENT VIEW

FIXED SHELVES, 4 POINT FIXING, UNIVERSAL MODEL, MULTIVENDOR, compatible with any brand cabinet	
Part Number*	Product Description
LN-RAF-SBT-D600-CC-UNV	Fixed Shelf, 19" 1U Metal Bracket, 4 point fixing, Physical Shelf Depth:370mm for D=600mm cabinetles, Load Capacity 50 kg Universal Model, Compatible with any brand cabinet
LN-RAF-SBT-D800-CC-UNV	Fixed Shelf, 19" 1U Metal Bracket, 4 point fixing, Physical Shelf Depth:570mm for D=800mm cabinetles, Load Capacity 50 kg Universal Model, Compatible with any brand cabinet
LN-RAF-SBT-D100-CC-UNV	Fixed Shelf, 19" 1U Metal Bracket, 4 point fixing, Physical Shelf Depth:770mm for D=1000mm cabinetles, Load Capacity 50 kg Universal Model, Compatible with any brand cabinet

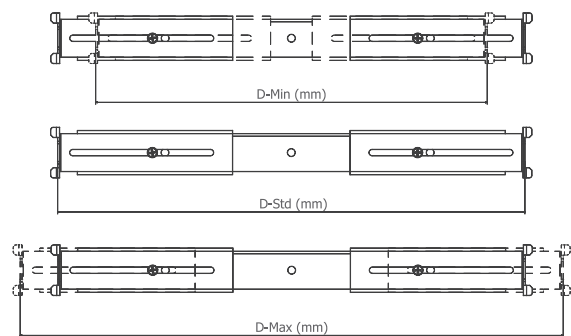
* CC= Color Code, LG Light Grey RAL 7035, BL Black RAL 9005, customers to define while ordering



MOUNTING VIEW



ISOMETRIC VIEW



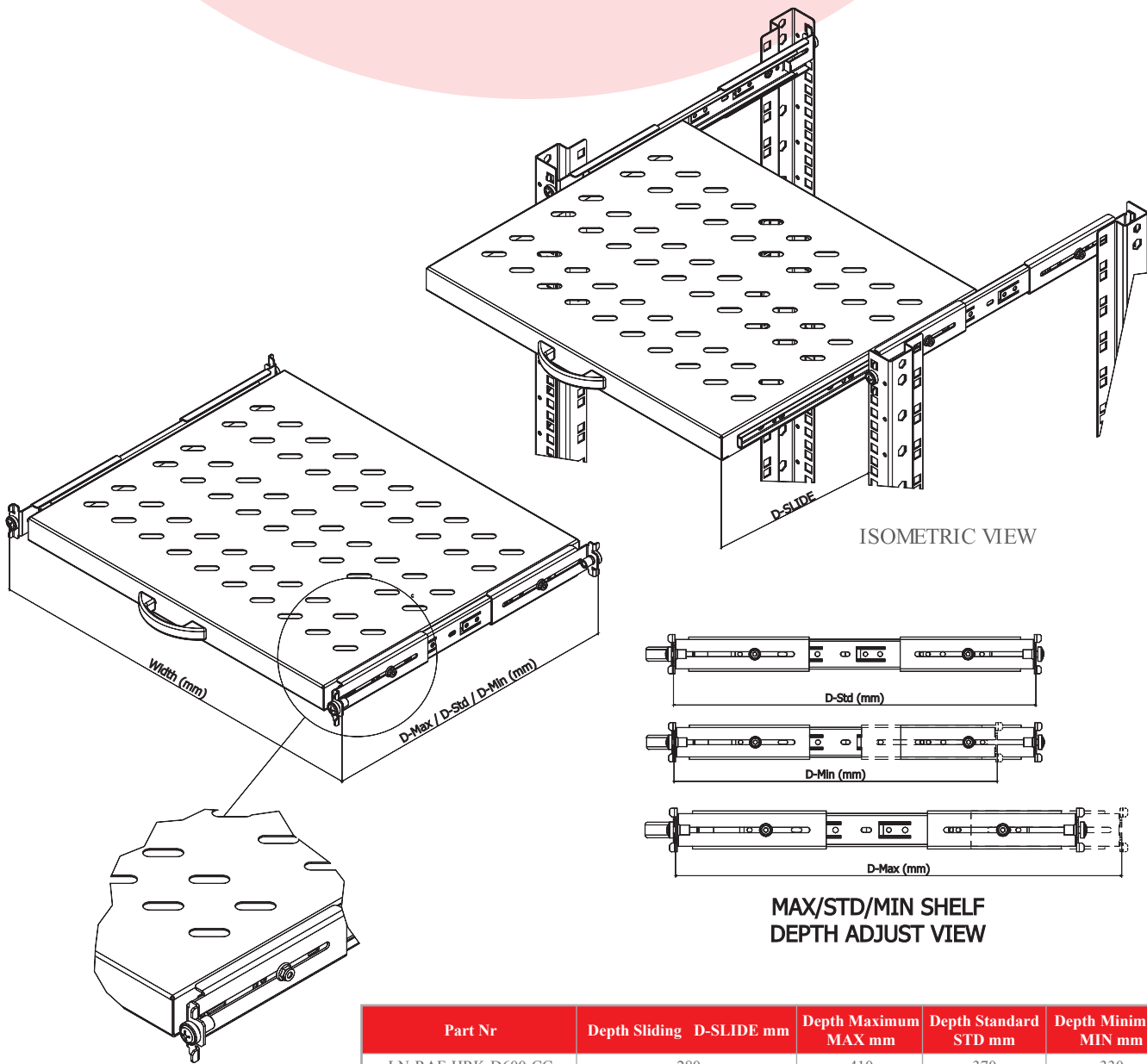
MIN/STD/MAX SHELF DEPTH ADJUSTMENT VIEW

Part Nr	Depth Maximum MAX mm	Depth Standard STD mm	Depth Minimum MIN mm
LN-RAF-SBT-D600-CC-UNV	277	370	460
LN-RAF-SBT-D800-CC-UNV	444	570	660
LN-RAF-SBT-D100-CC-UNV	644	770	860

SLIDING SHELVES 4 POINT FIXING, MULTIVENDOR, compatible with any brand cabinet

Part Number*	Product Description
LN-RAF-HRK-D600-CC	Sliding Shelf, 4 point fixing, Physical Shelf Depth:370mm for D=600mm cabinets, Load Capacity 30 kg, Compatible with any brand cabinet
LN-RAF-HRK-D800-CC	Sliding Shelf, 4 point fixing, Physical Shelf Depth:570mm for D=800mm cabinets, Load Capacity 30 kg, Compatible with any brand cabinet

* CC= Color Code, LG Light Grey RAL 7035, BL Black RAL 9005, customers to define while ordering



MOUNTING VIEW

ISOMETRIC VIEW

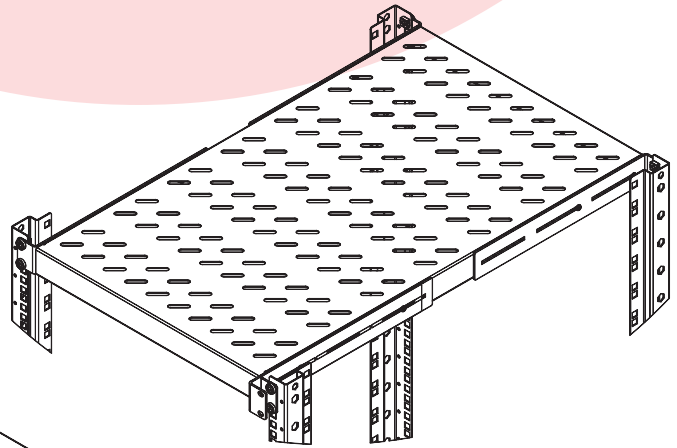
MAX/STD/MIN SHELF DEPTH ADJUST VIEW

Part Nr	Depth Sliding D-SLIDE mm	Depth Maximum MAX mm	Depth Standard STD mm	Depth Minimum MIN mm
LN-RAF-HRK-D600-CC	280	410	370	330
LN-RAF-HRK-D800-CC	480	610	570	530

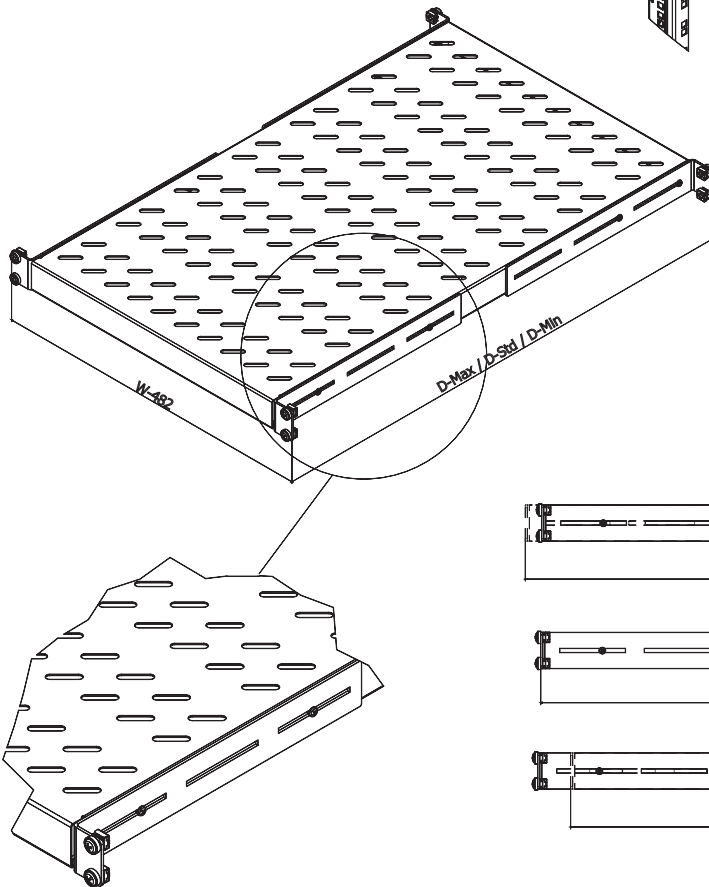
FIXED SHELVES 4 POINT FIXING, HEAVY DUTY TYPE

Part Number*	Product Description
LN-RAF-SBA-D100-CC	Heavy Duty Fixed Shelf, 1U 19", 4 point fixing, Physical Shelf Depth:720mm for D=1000mm cabinets. Load Capacity 100 kg

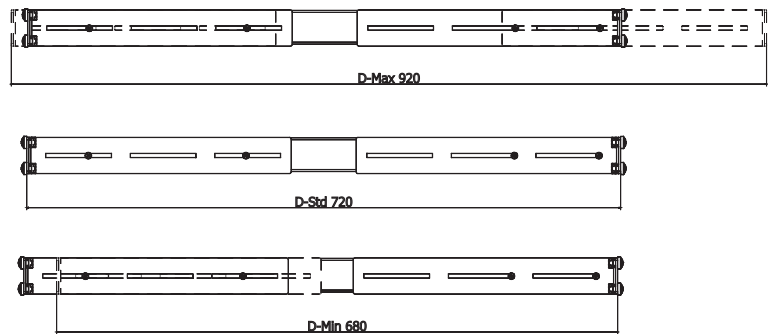
* CC= Color Code, LG Light Grey RAL 7035, BL Black RAL 9005, customers to define while ordering



ISOMETRIC VIEW



MOUNTING VIEW

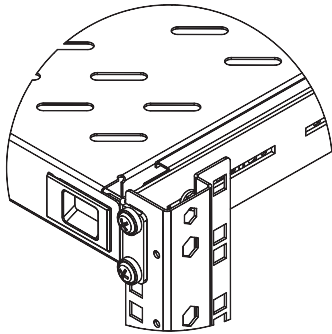


MAX-STD-MIN SHELF
DEPTH ADJUST VIEW

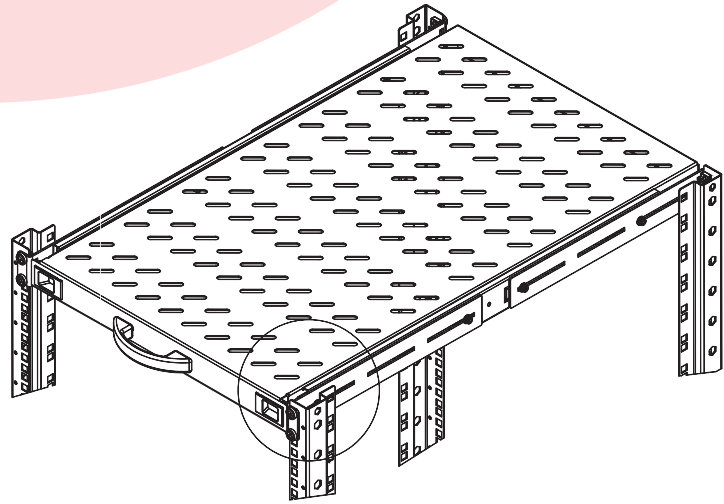
SLIDING SHELVES 4 POINT FIXING, HEAVY DUTY TYPE

Part Number*	Product Description
LN-RAF-HRA-D100-CC	Heavy Duty Sliding Shelf, 1U 19", 4 point fixing, Physical Shelf Depth:720mm for D=1000mm cabinets. Load Capacity 50 kg, full telescopic

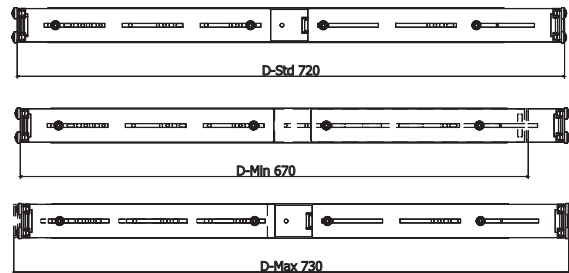
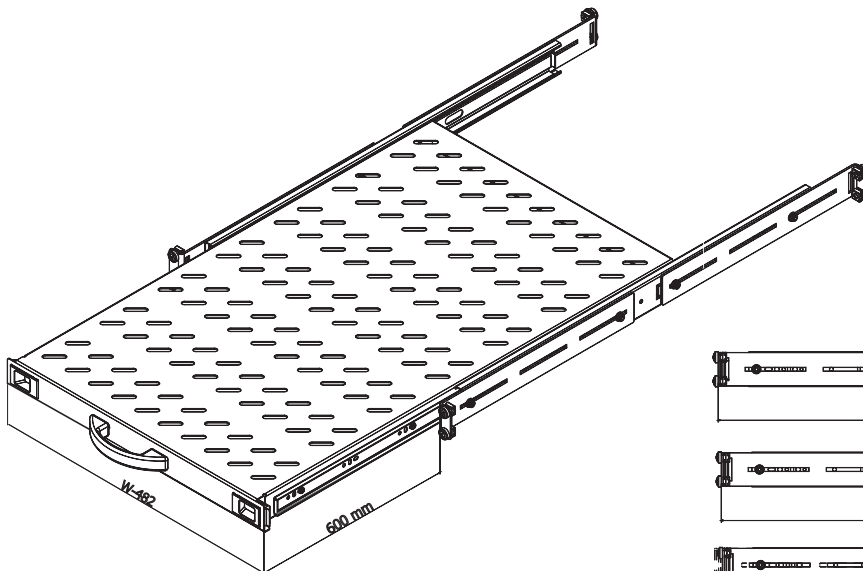
* CC= Color Code, LG Light Grey RAL 7035, BL Black RAL 9005, customers to define while ordering



MOUNTING VIEW



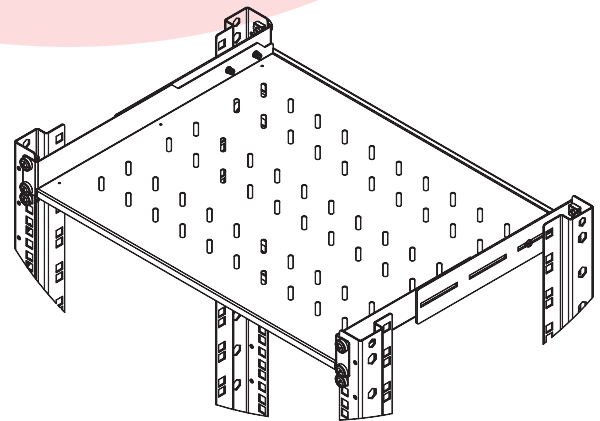
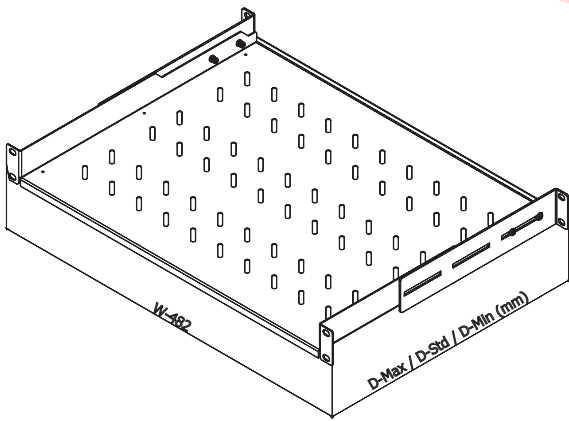
ISOMETRIC VIEW



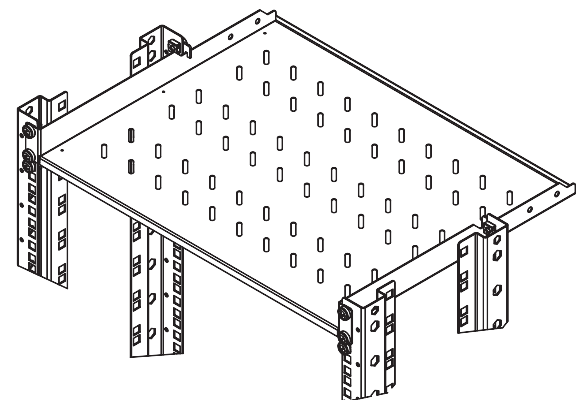
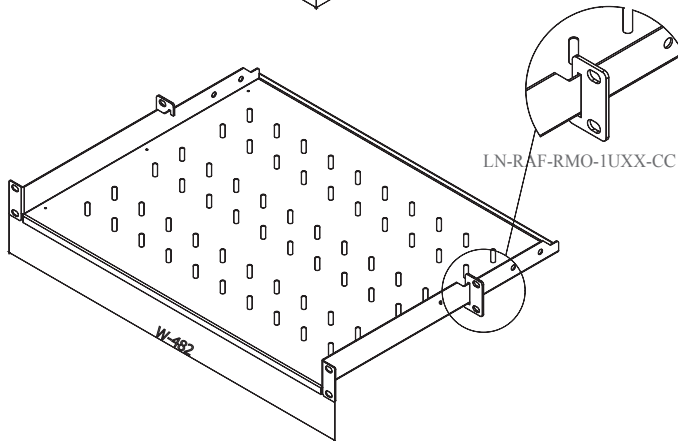
STD-MIN-MAX SHELF DEPTH ADJUST VIEW

RACK MOUNT SHELVES, 4 POINT FIXING	
Part Number*	Product Description
LN-RAF-RMC-1135-CC	1U 19" frontal, 1 U 19" rear assembly, adjustable rear 19" brackets, D=350mm, for all cabinets at 19" provision, Load Capacity 50 kg
LN-RAF-RMC-2135-CC	2U 19" frontal, 1 U 19" rear assembly, adjustable rear 19" brackets, D=350mm, for all cabinets at 19" provision, Load Capacity 50 kg
LN-RAF-RMO-1UXX-CC	1U 19" adapter part, 1 set 2 pcs, incl the fixing hardware, allowing rack mount shelves to attach to rear 19" rails, to maintain the min depth adjustment without using the rear brackets

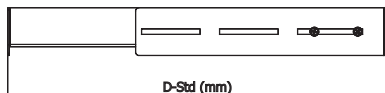
* CC= Color Code, LG Light Grey RAL 7035, BL Black RAL 9005, customers to define while ordering



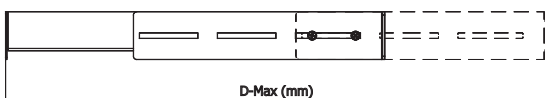
ISOMETRIC VIEW



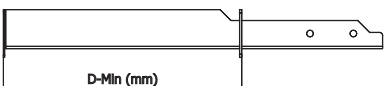
ISOMETRIC VIEW



D-Std (mm)



D-Max (mm)



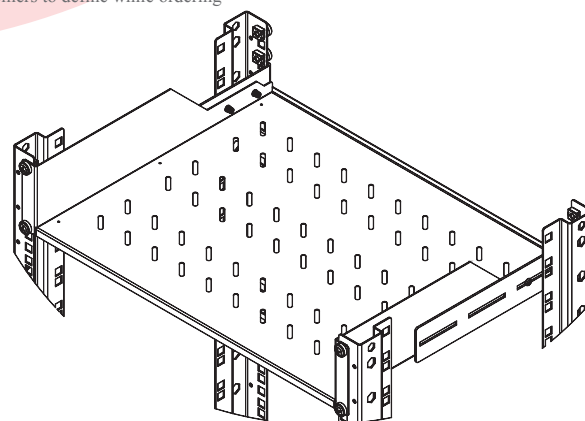
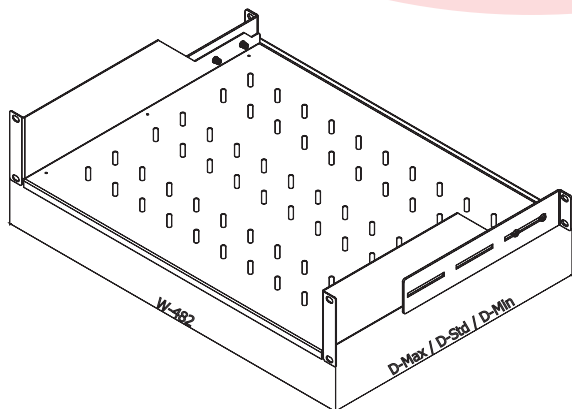
D-Min (mm)

STD-MAX-MIN SHELF DEPTH ADJUST VIEW

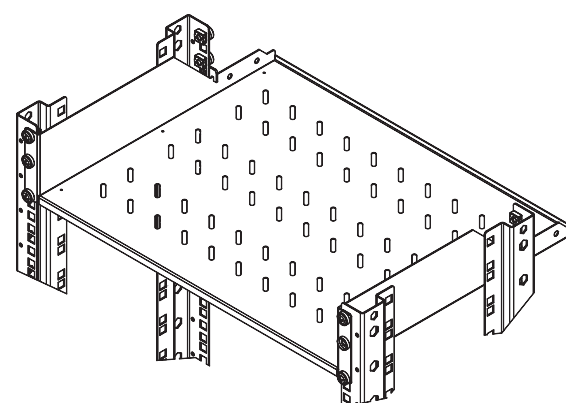
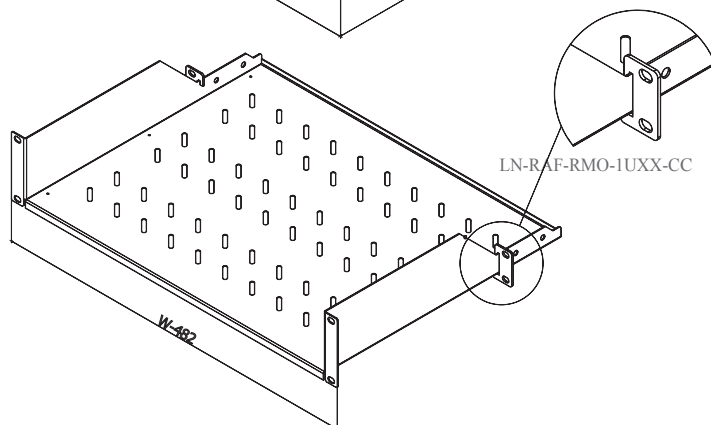
Part Nr	Depth Maximum MAX mm	Depth Standard STD mm	Depth Minimum MIN mm
LN-RAF-RMC-1135-CC	500	350	220
LN-RAF-RMC-1145-CC	600	450	320

RACK MOUNT SHELVES, 4 POINT FIXING	
Part Number*	Product Description
LN-RAF-RMC-1145-CC	1U 19" frontal, 1 U 19" rear assembly, adjustable rear 19" brackets, D=450mm, for all cabinets at 19" provision, Load Capacity 50 kg
LN-RAF-RMC-2145-CC	2U 19" frontal, 1 U 19" rear assembly, adjustable rear 19" brackets, D=450mm, for all cabinets at 19" provision, Load Capacity 50 kg
LN-RAF-RMC-2155-CC	2U 19" frontal, 1 U 19" rear assembly, adjustable rear 19" brackets, D=550mm, for all cabinets at 19" provision, Load Capacity 50 kg
LN-RAF-RMC-2165-CC	2U 19" frontal, 1 U 19" rear assembly, adjustable rear 19" brackets, D=650mm, for all cabinets at 19" provision, Load Capacity 50 kg
LN-RAF-RMO-1UXX-CC	1U 19" adapter part, 1 set 2 pcs, incl the fixing hardware, allowing rack mount shelves to attach to rear 19" rails, to maintain the min depth adjustment without using the rear brackets

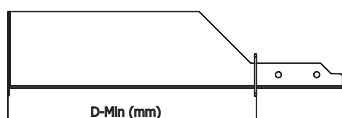
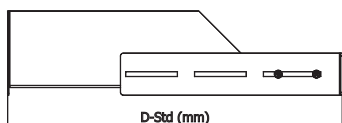
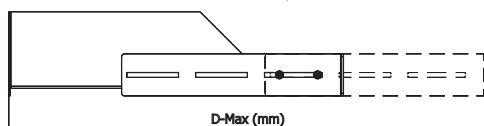
* CC= Color Code, LG Light Grey RAL 7035, BL Black RAL 9005, customers to define while ordering



ISOMETRIC VIEW



ISOMETRIC VIEW



STD-MAX-MIN SHELF DEPTH ADJUST VIEW

Part Nr	Depth Maximum MAX mm	Depth Standard STD mm	Depth Minimum MIN mm
LN-RAF-RMC-2135-CC	500	350	220
LN-RAF-RMC-2145-CC	600	450	320
LN-RAF-RMC-2155-CC	700	550	420
LN-RAF-RMC-2165-CC	800	650	520

GUIDE and GLOSSARY for LANDE CATALOGUE and IT BUSINESS CABINETS



STANDARDS in FORCE	
EN 60917-2-4	Modular order for the development of mechanical structures for electronic equipment practices - Part 2-4: Sectional specification - Interface coordination dimensions for the 25 mm equipment practice -Adaptation dimensions for subracks or chassis applicable in cabinets or racks in accordance with IEC 60297-3-100 (19 in)
EN 60297-3-106	Mechanical structures for electronic equipment - Dimensions of mechanical structures of the 482,6 mm (19 in) series - Part 3-106: Adaptation dimensions for subracks and chassis applicable with metric cabinets or racks in accordance with IEC 60917-2-1
EN 60529:1997	Degrees of protection provided by enclosures (IP code), The degree of protection is indicated by the IP code, which comprises the letters IP followed by two characteristic numerals. IP = code indicating degree of protection provided by the enclosure against access to dangerous parts, penetration of solid foreign bodies and penetration of liquids. Lande IP Code is IP20 if not specifically defined in technical datasheets ,website, or catalogue.
EN 50102	Degrees of protection provided by enclosures for electrical equipment against external mechanical impacts (IK code) The degree of protection against external mechanical impact is indicated by the IKcode, which comprises the letters IK followed by two characteristic numerals.IK = code indicating degree of protection provided by the enclosure against externalmechanical impact. Lande IK Code IK07 is based on 2 joule impact test.
EN 60950-1: 2008	Information technology equipment – Safety – Part 1: General requirements
EN 61587-1:2012	Mechanical structures for electronic equipment - Tests for IEC 60917 and IEC 60297 series -Part 1: Environmental requirements, test set-up and safety aspects for cabinets, racks, subracks and chassis under indoor conditions (IEC 61587-1:2011)
EN ISO 9001: 2008	Quality management systems – Requirements (ISO 9001:2008)
RoHS	Restriction of Hazardous Substances Directive
Purchased Products Standards	
SHEET STEEL	DIN EN 10130 – 99 Ereğli DC-01 6112 , 7122, RoHS
FANS	ISO 9001, CE (89/336/EEC EMC, 73/23/EEC LVD), RoHS
GLASS	EN 11502, BS 3193, EN 12150, TS 11502 Specification for thermally toughened glass panels for use in domestic appliances
FIXING HARDWARE	DIN 7985, DIN 965, DIN 7981, DIN 934, DIN 985, DIN 933,RoHS
LOCKS	DIN 1743, DIN 53571, RoHS
CASTERS	TS EN 12530, TS EN 12532, RoHS
Other info	
Customs tarif number	85380000 / 85381000 / 853710990019
Lande Barcoding Registration	86806035-0000-X EAN 13 format
Logistic Data and its Rights	Lande is providing Logistics data for all product portfolio, but subject to change at any time while catalogues are in use, so consider the real data supplied by recent offers, packing list of Lande for realtime follow up
Printing Mistakes	Lande produces catalogues for its customers with goodwill of guiding to correct product selection, in case of printing mistakes on values, sizes, or shipping configuration, lande records and recent data to be considered
Lande LOGO Colors	Red - Pantone 485 C / Black- Pantone process black CMYK Red : C=0 M=100 Y=100 K=0 / CMYK Black: C=0 M=0 Y=0 K=100