



19" DYNACenter DATACENTER CABINETS



19" DYNACenter DATACENTER CABINETS



Load Capacity: 1500 kgs.

Width= 600/800 mm
Depth= 1000/1100/1200 mm

Standard Heights:

3 different U heights:

42U,45U,47U

Standards, and Compliances:



ISO 9001:2008
Quality Management System

EN 61587 -1:2012
Mechanical Structures for
Electronic Equipment

IEC 297-1, 19" mounting
IEC 297-2 Overall cabinet dimensions



CE conform to
EN 60950-1:2006
Information Technology
Equipment – Safety – Part-1-
General Requirements



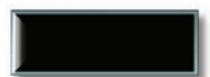
Environment Friendly;
*Environmental awareness
*RoHS compliancy
*% 100 Recyclable
Material



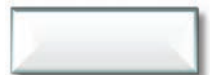
DYNAcenter Enclosures designed for specific purpose of strong and sturdy design providing 1500kgs of load capacity, where it provides the superior passive ventilation capability for datacenter infrastructure. The Cabinets are designed and completed with the cold/hot corridor containment accessories. 3 different heights of 42U,45U,47U with variation of depths

as 1000,D1100,D1200mm. Completely closed main profile system provides the best performance its segment for high load capacity, where in some cases for light weight construction needs of enclosure with same load capacity performance produced optionally with Extruded Closed Aluminium Frame concept.

Standard Colors:



RAL 9005 Black



RAL 7035 Light Grey



19" DYNAcenter

DATACENTER Cabinets FAMILY



W=600mm and W=800mm DYNAcenter Series
Datacenter Cabinets

DYNAcenter series Datacenter Cabinets, provide a proper environment for the server and storage equipments with professional ventilation structure as well the heavy duty construction to house the heavy loads of servering equipments.

The product range designed for complete cold/hot corridor containment structure, with closed profile and aluminium corner joints system resists to high load capacity of 1500kgs.

Optionally produced with closed aluminium profile system with 1,5mm minimum cross sections.

The product range is offered in 3 heights as 42U,45U and 47 U heights Both W600 and W800mm widths.

The wide product height portfolio meets any U requirement in infrastructure needs of datacenters.

DYNAcenter series have a professional technical but aesthetic look with decorative monoblock curved %80 perforated front door, various options of front and rear doors are available due to needs of datacenter area.

The product range attracts the attention with the mostly environmentally fit and selected colors of RAL 9005 Black, and RAL 7035 Light Grey with fine wrinkle soft touch paint or customer defined color for projects.

Completely standard and stocked product portfolio, being delivered a single piece assembled product based on the required configuration.

DYNAcenter Series Datacenter cabinets range with optimal panel mounting size, and a variety range of accessories enclose the whole expectation of datacenter infrastructure.



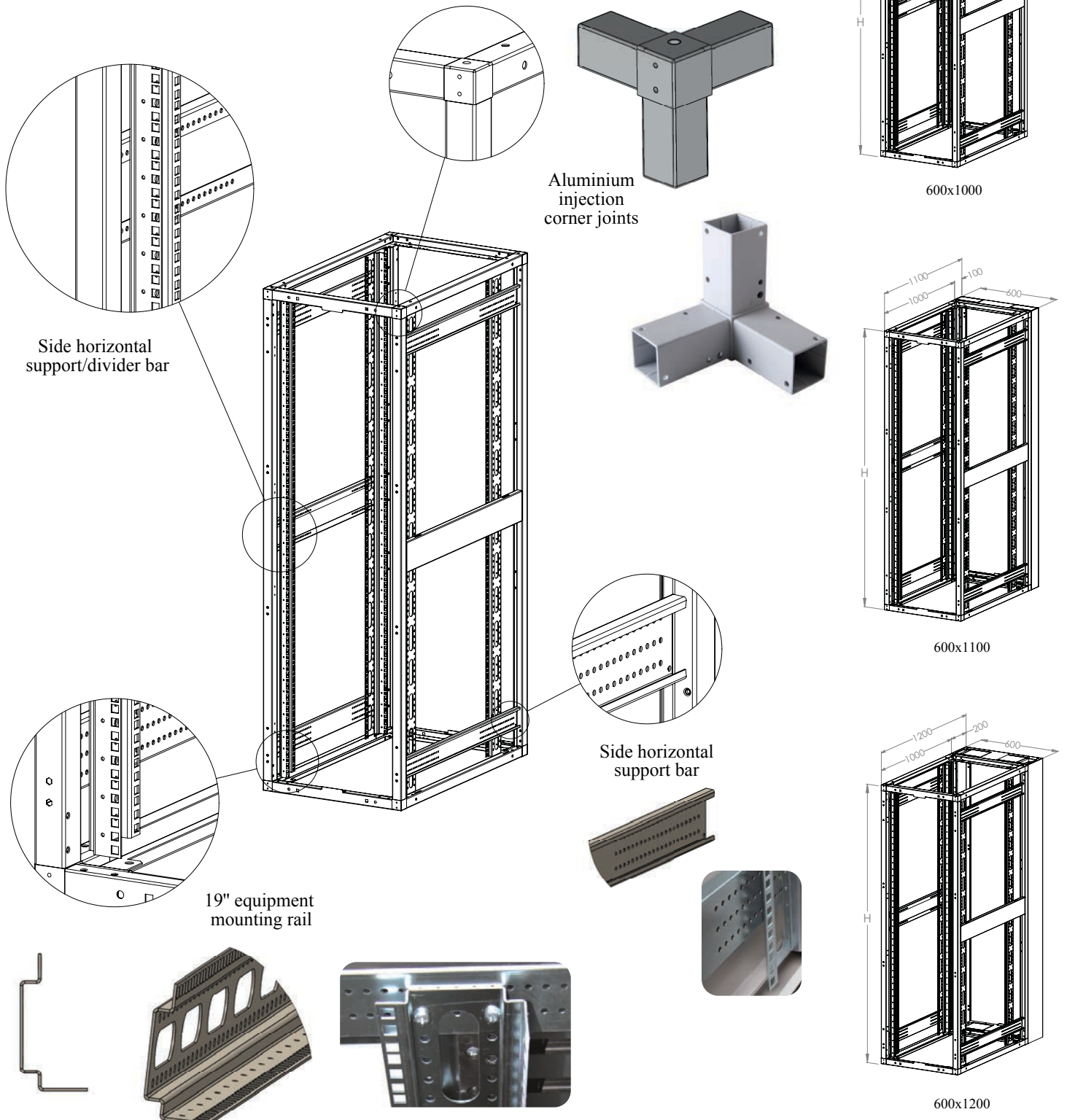
19" DYNAcenter W600mm Construction Details

DYNAcenter FRAME UNITS, 600x1000mm. for NETWORK and SERVER

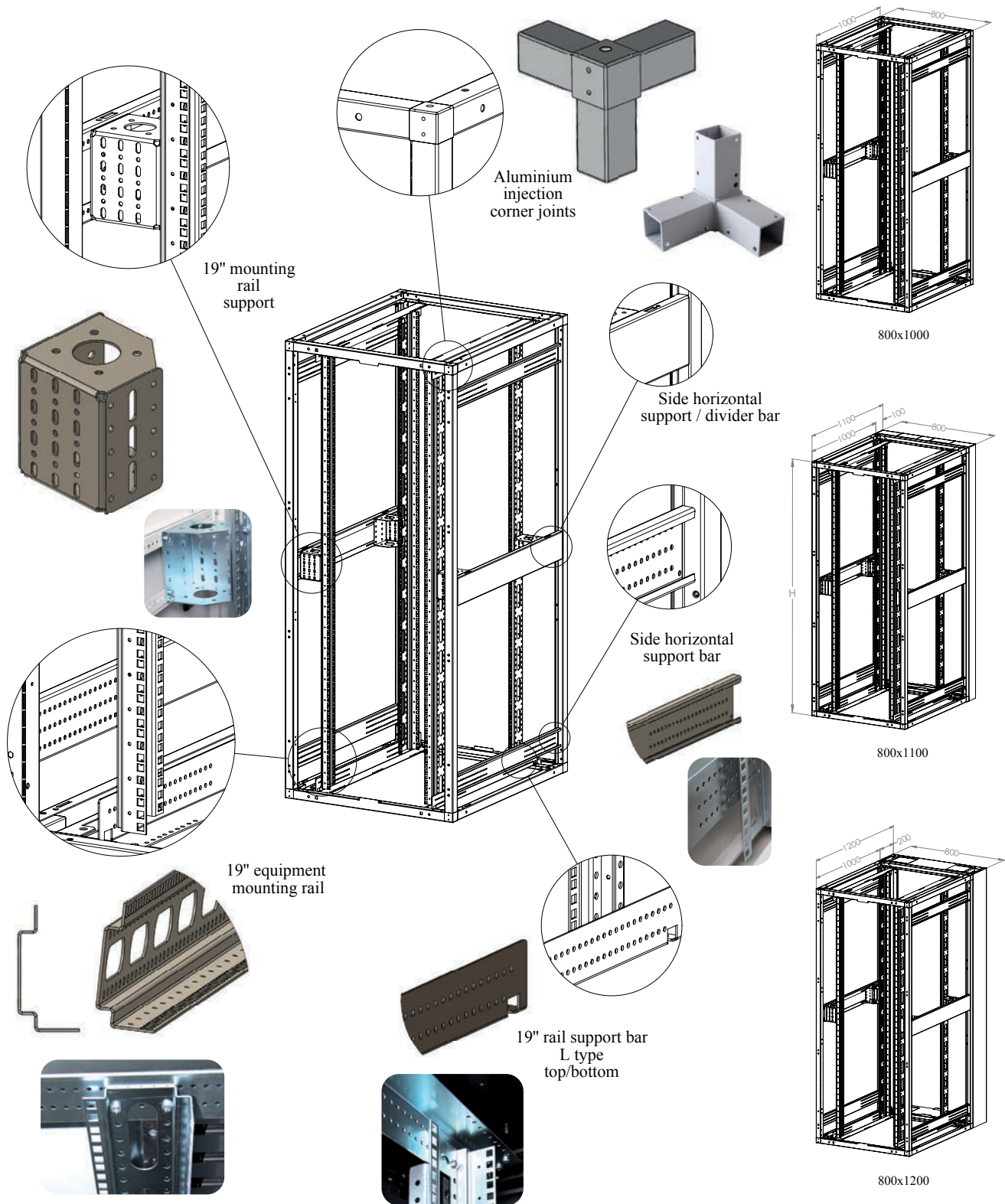
Order No	Product Definition	W x H x D mm.
LN-SR 42U6010-CC	Lande 42U 19" 600x1000mm DYNAcenter Main Frame Unit	600x1955x1000
LN-SR 45U6010-CC	Lande 45U 19" 600x1000mm DYNAcenter Main Frame Unit	600x2088x1000
LN-SR 47U6010-CC	Lande 47U 19" 600x1000mm DYNAcenter Main Frame Unit	600x2176x1000

** CC= Color Code please define while ordering the color code as LG Light Grey RAL 7035, BL Black RAL 9005

*** AL= If Aluminium Profile system required, please put AL notation after CC (color code) selection



19" DYNAcenter W800mm Construction Details

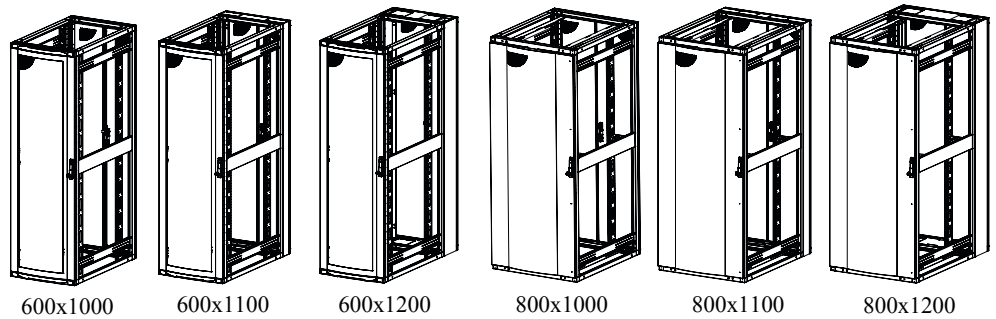
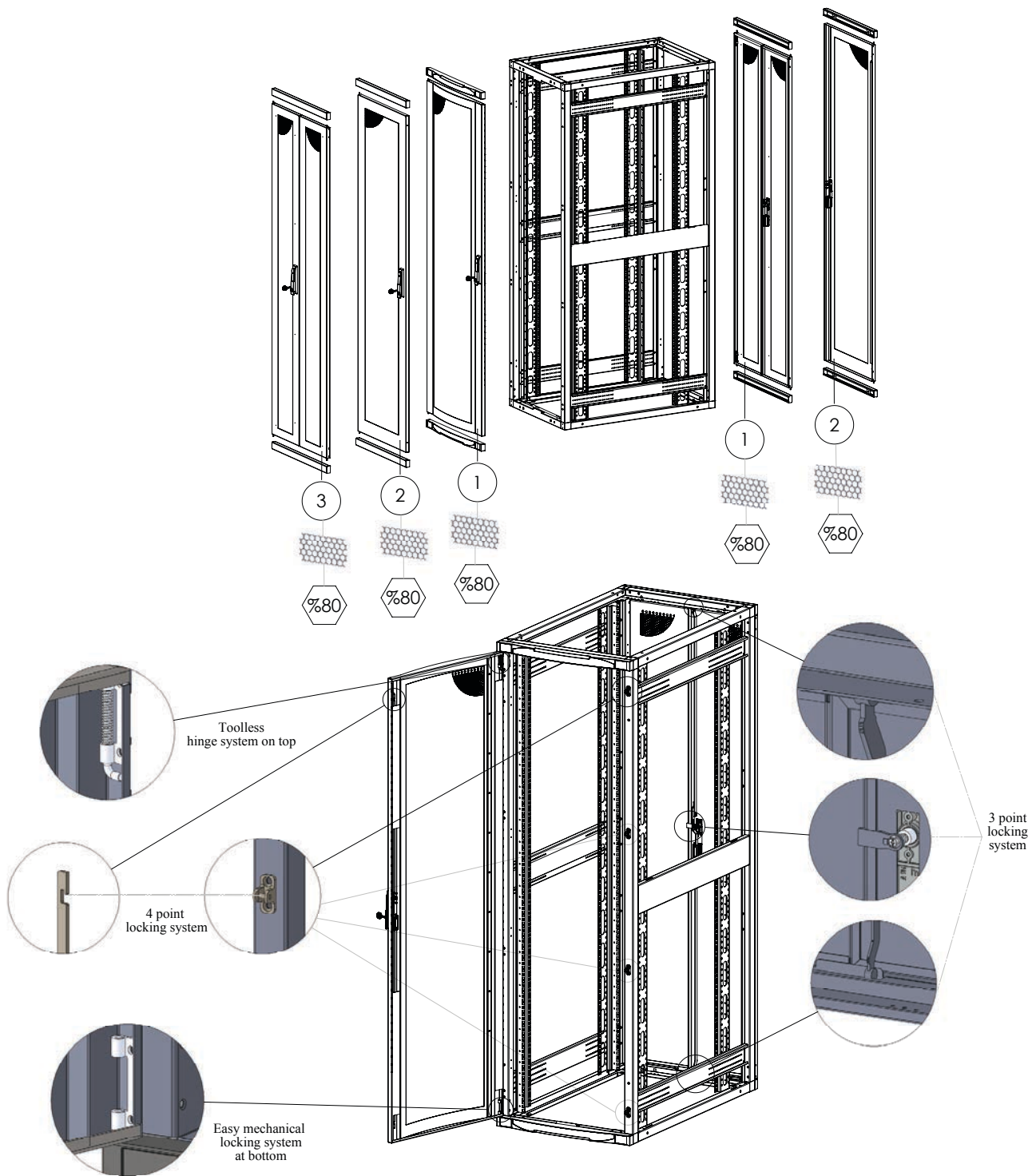


DYNAcenter FRAME UNITS, 800x1000mm. for NETWORK and SERVER		
Order No	Product Definition	W x H x D mm.
LN-SR 42U8010-CC	Lande 42U 19" 800x1000mm DYNAcenter Main Frame Unit	800x1955x1000
LN-SR 45U8010-CC	Lande 45U 19" 800x1000mm DYNAcenter Main Frame Unit	800x2088x1000
LN-SR 47U8010-CC	Lande 47U 19" 800x1000mm DYNAcenter Main Frame Unit	800x2176x1000

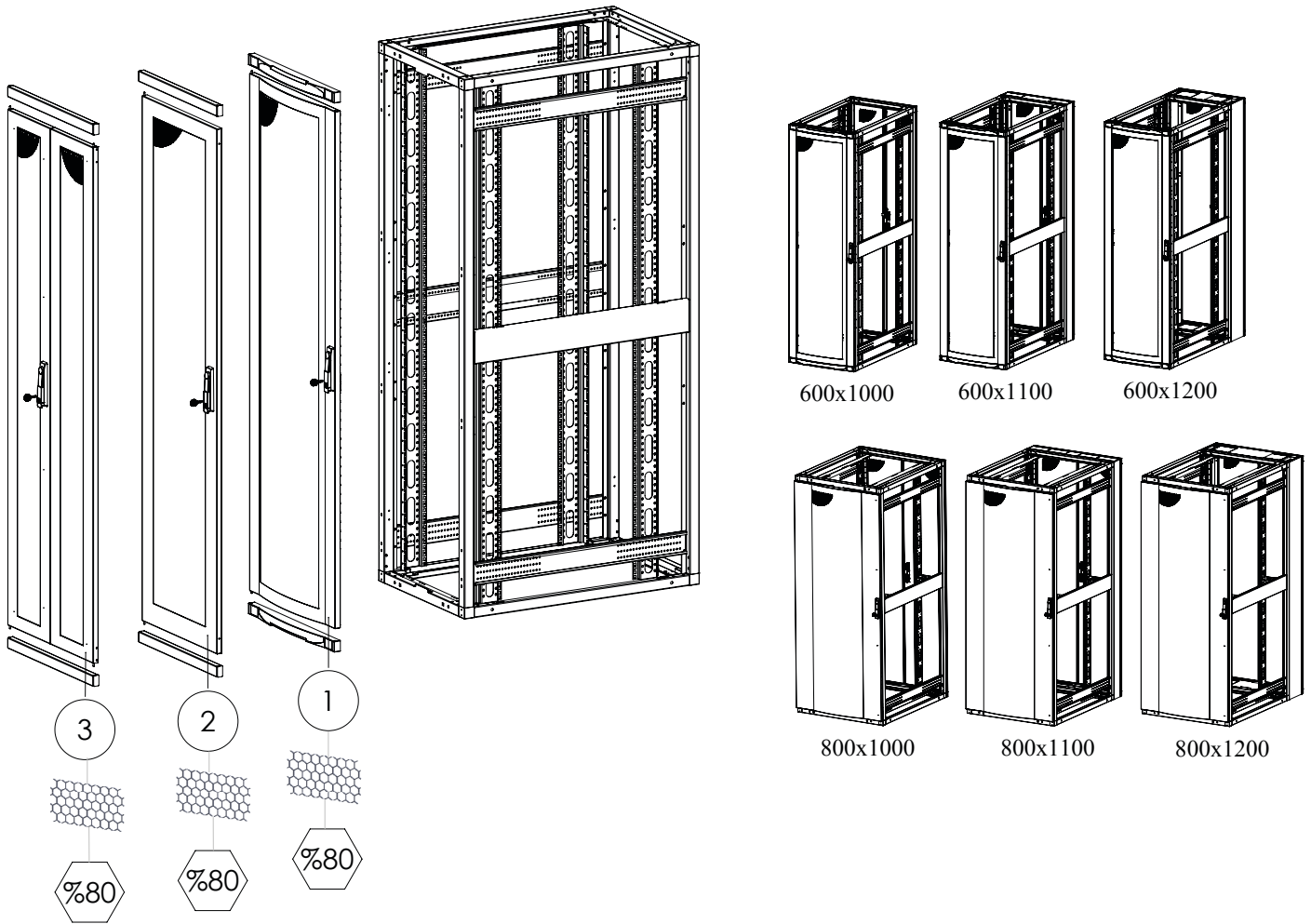
** CC= Color Code please define while ordering the color code as LG Light Grey RAL 7035, BL Black RAL 9005
 *** AL= If Aluminium Profile system required, please put AL notation after CC (color code) selection



19" DYNACenter W600 and W800 mm Door Options



19" DYNAcenter W600 and W800 mm Front Door Options



DYNAcenter FRONT DOOR, W: 600mm. for NETWORK and SERVER

Order No	Product Definition	W x H mm.
LN-FD 42UW60-CC-1	42U W:600mm Monoblock Curved % 80 perforated front door including 4 point locking system	600x1870
LN-FD 42UW60-CC-2	42U W:600mm Monoblock Flat Shape % 80 perforated front door including 4 point locking system	600x1870
LN-FD 42UW60-CC-3	42U W:600mm Double Opening % 80 perforated front door including 3 point locking system	600x1870
LN-FD 45UW60-CC-1	45U W:600mm Monoblock Curved % 80 perforated front door including 4 point locking system	600x2003
LN-FD 45UW60-CC-2	45U W:600mm Monoblock Flat Shape % 80 perforated front door including 4 point locking system	600x2003
LN-FD 45UW60-CC-3	45U W:600mm Double Opening % 80 perforated front door including 3 point locking system	600x2003
LN-FD 47UW60-CC-1	47U W:600mm Monoblock Curved % 80 perforated front door including 4 point locking system	600x2091
LN-FD 47UW60-CC-2	47U W:600mm Monoblock Flat Shape % 80 perforated front door including 4 point locking system	600x2091
LN-FD 47UW60-CC-3	47U W:600mm Double Opening % 80 perforated front door including 3 point locking system	600x2091

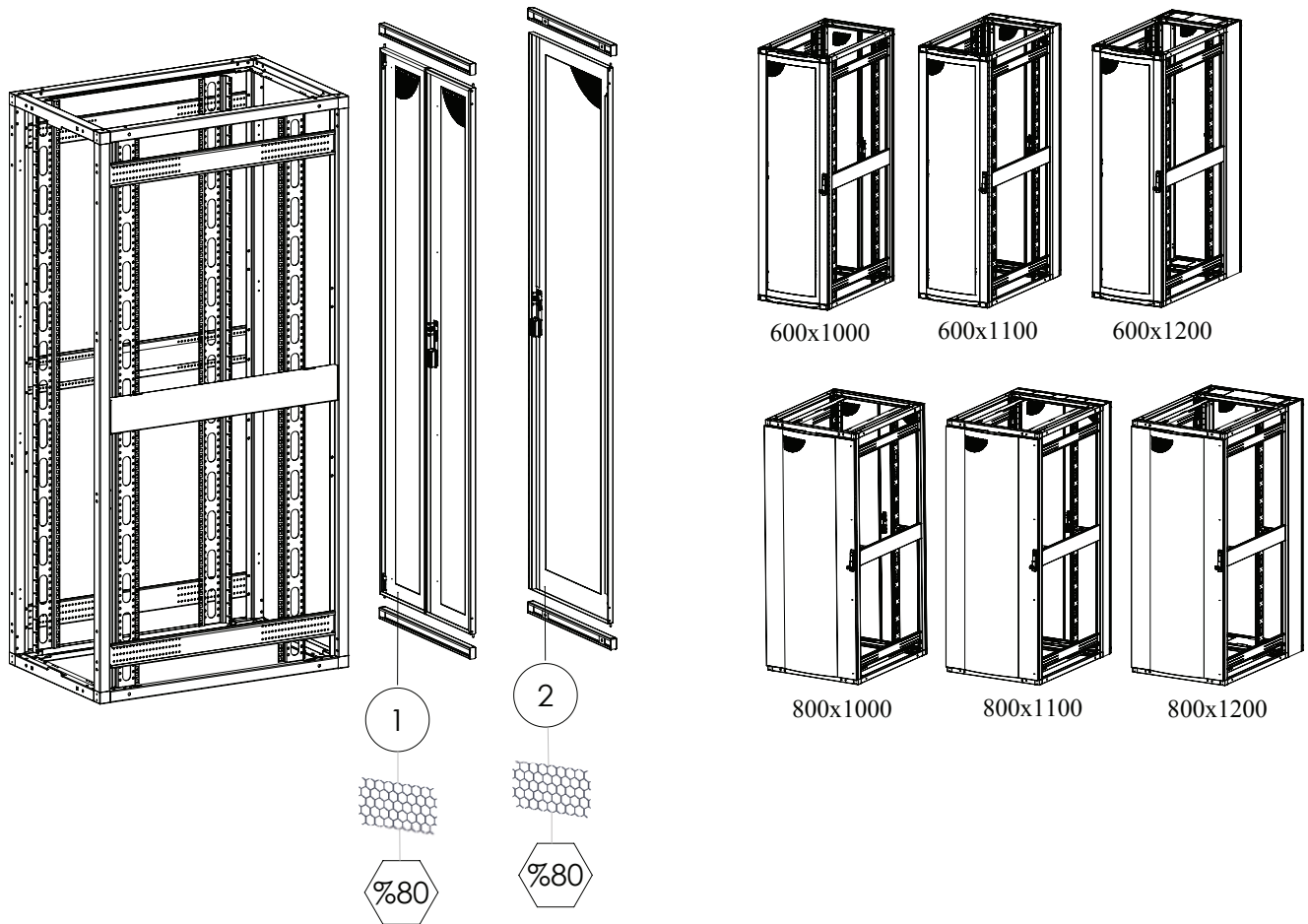
** CC= Color Code please define while ordering the color code as LG Light Grey RAL 7035, BL Black RAL 9005

DYNAcenter FRONT DOOR, W: 800mm. for NETWORK and SERVER

Order No	Product Definition	W x H mm.
LN-FD 42UW80-CC-1	42U W:800mm Monoblock Curved % 80 perforated front door including 4 point locking system	800x1870
LN-FD 42UW80-CC-2	42U W:800mm Monoblock Flat Shape % 80 perforated front door including 4 point locking system	800x1870
LN-FD 42UW80-CC-3	42U W:800mm Double Opening % 80 perforated front door including 3 point locking system	800x1870
LN-FD 45UW80-CC-1	45U W:800mm Monoblock Curved % 80 perforated front door including 4 point locking system	800x2003
LN-FD 45UW80-CC-2	45U W:800mm Monoblock Flat Shape % 80 perforated front door including 4 point locking system	800x2003
LN-FD 45UW80-CC-3	45U W:800mm Double Opening % 80 perforated front door including 3 point locking system	800x2003
LN-FD 47UW80-CC-1	47U W:800mm Monoblock Curved % 80 perforated front door including 4 point locking system	800x2091
LN-FD 47UW80-CC-2	47U W:800mm Monoblock Flat Shape % 80 perforated front door including 4 point locking system	800x2091
LN-FD 47UW80-CC-3	47U W:800mm Double Opening % 80 perforated front door including 3 point locking system	800x2091

** CC= Color Code please define while ordering the color code as LG Light Grey RAL 7035, BL Black RAL 9005

19" DYNACenter W600 and W800 mm Rear Door Options



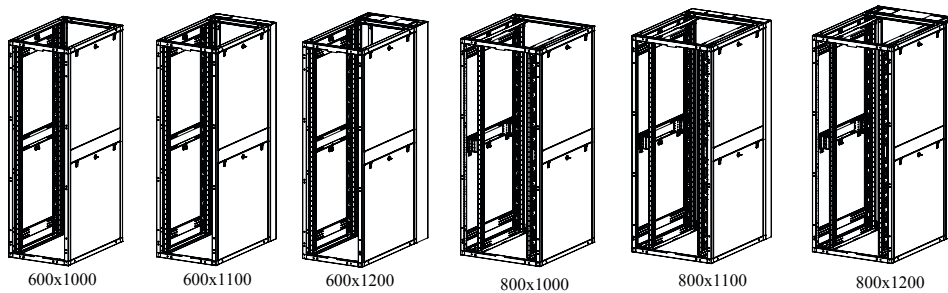
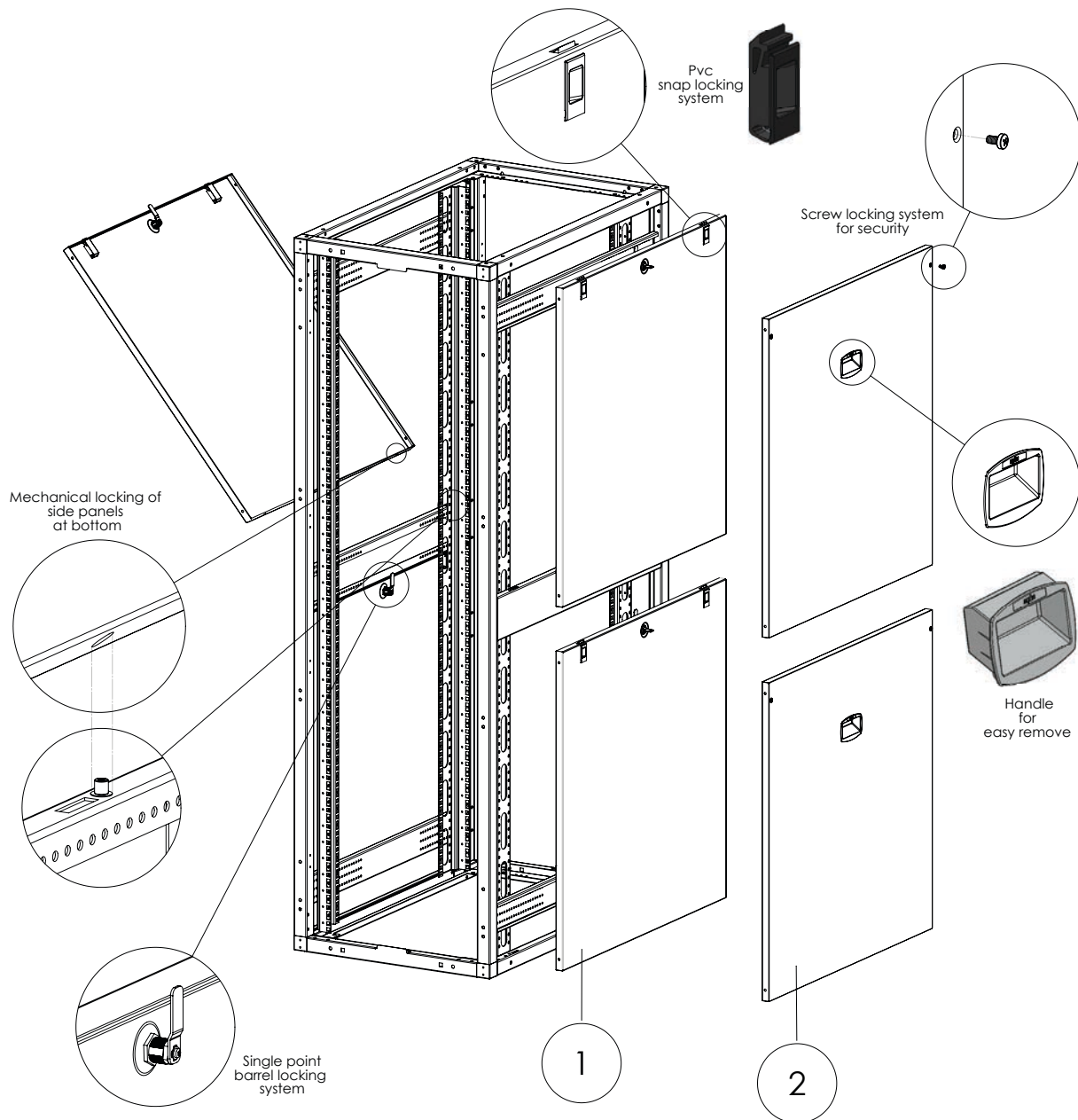
DYNACenter REAR DOOR, W: 600mm. for NETWORK and SERVER		
Order No	Product Definition	W x H mm.
LN-RD 42UW60-CC-1	42U W:600mm Double Opening % 80 perforated rear door including 3 point locking system	600x1870
LN-RD 42UW60-CC-2	42U W:600mm Single Opening % 80 perforated rear door including 4 point locking system	600x1870
LN-RD 45UW60-CC-1	45U W:600mm Double Opening % 80 perforated rear door including 3 point locking system	600x2003
LN-RD 45UW60-CC-2	45U W:600mm Single Opening % 80 perforated rear door including 4 point locking system	600x2003
LN-RD 47UW60-CC-1	47U W:600mm Double Opening % 80 perforated rear door including 3 point locking system	600x2091
LN-RD 47UW60-CC-2	47U W:600mm Single Opening % 80 perforated rear door including 4 point locking system	600x2091

** CC= Color Code please define while ordering the color code as LG Light Grey RAL 7035, BL Black RAL 9005

DYNACenter REAR DOOR, W: 800mm. for NETWORK and SERVER		
Order No	Product Definition	W x H mm.
LN-RD 42UW80-CC-1	42U W:800mm Double Opening % 80 perforated rear door including 3 point locking system	800x1870
LN-RD 42UW80-CC-2	42U W:800mm Single Opening % 80 perforated rear door including 4 point locking system	800x1870
LN-RD 45UW80-CC-1	45U W:800mm Double Opening % 80 perforated rear door including 3 point locking system	800x2003
LN-RD 45UW80-CC-2	45U W:800mm Single Opening % 80 perforated rear door including 4 point locking system	800x2003
LN-RD 47UW80-CC-1	47U W:800mm Double Opening % 80 perforated rear door including 3 point locking system	800x2091
LN-RD 47UW80-CC-2	47U W:800mm Single Opening % 80 perforated rear door including 4 point locking system	800x2091

** CC= Color Code please define while ordering the color code as LG Light Grey RAL 7035, BL Black RAL 9005

19" DYNAcenter W600 and W800 mm Side Panels



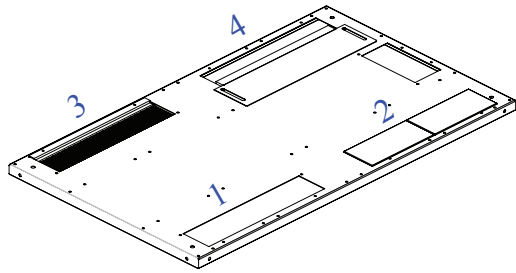
DYNAcenter Side Panel, D:1000mm. For W:600/800mm Cabinets Horizontally divided- 1 set 2 pcs for one side of the Frame

Order No	Product Definition	W x H mm.
LN-SP 42UD100-CC-1	42U Side Panel, Horizontally Divided for easy handling, 1set:2 pcs- with lock and snap locking units	866x875
LN-SP 42UD100-CC-2	42U Side Panel, Horizontally Divided for easy handling, 1set:2 pcs- with screws and handle	866x941
LN-SP 45UD100-CC-1	45U Side Panel, Horizontally Divided for easy handling, 1set:2 pcs- with lock and snap locking units	866x986
LN-SP 45UD100-CC-2	45U Side Panel, Horizontally Divided for easy handling, 1set:2 pcs- with screws and handle	866x875
LN-SP 47UD100-CC-1	47U Side Panel, Horizontally Divided for easy handling, 1set:2 pcs- with lock and snap locking units	866x941
LN-SP 47UD100-CC-2	47U Side Panel, Horizontally Divided for easy handling, 1set:2 pcs- with screws and handle	866x986

** CC= Color Code please define while ordering the color code as LG Light Grey RAL 7035, BL Black RAL 9005



19" DYNACenter W600 and W800 mm Roof Cable Entry Options

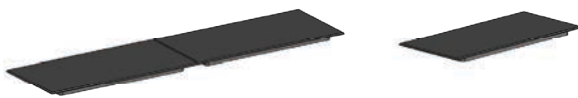


Options of **A** or **B**

1) Empty



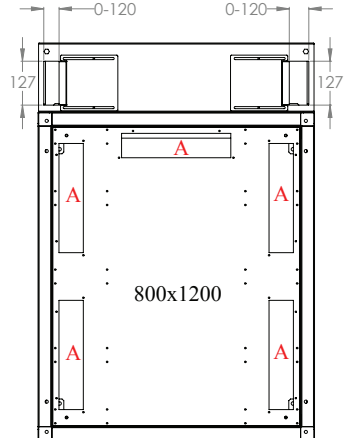
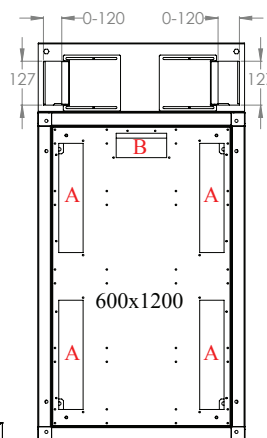
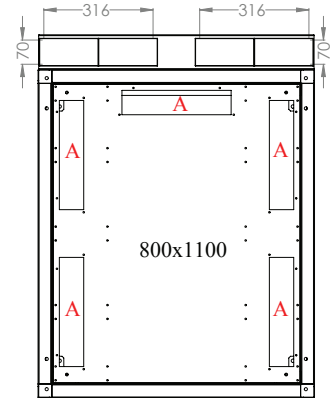
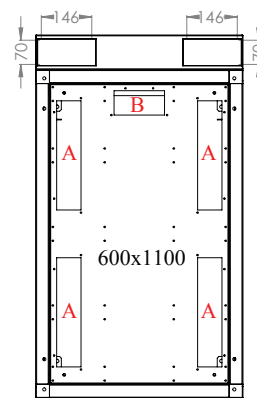
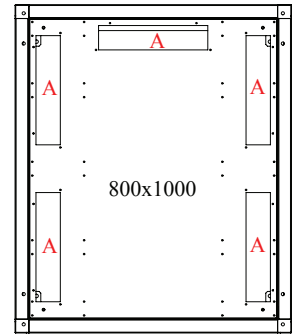
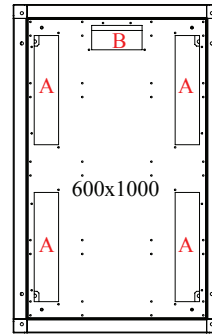
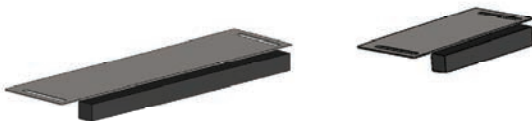
2) Plastic dummy



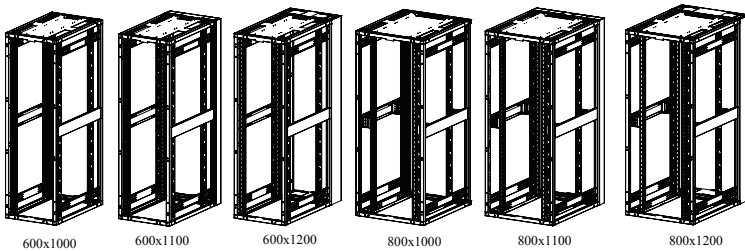
3) Brush



4) Sliding cable entry



*A dimension is 70x316 mm
B dimension is 70x146 mm

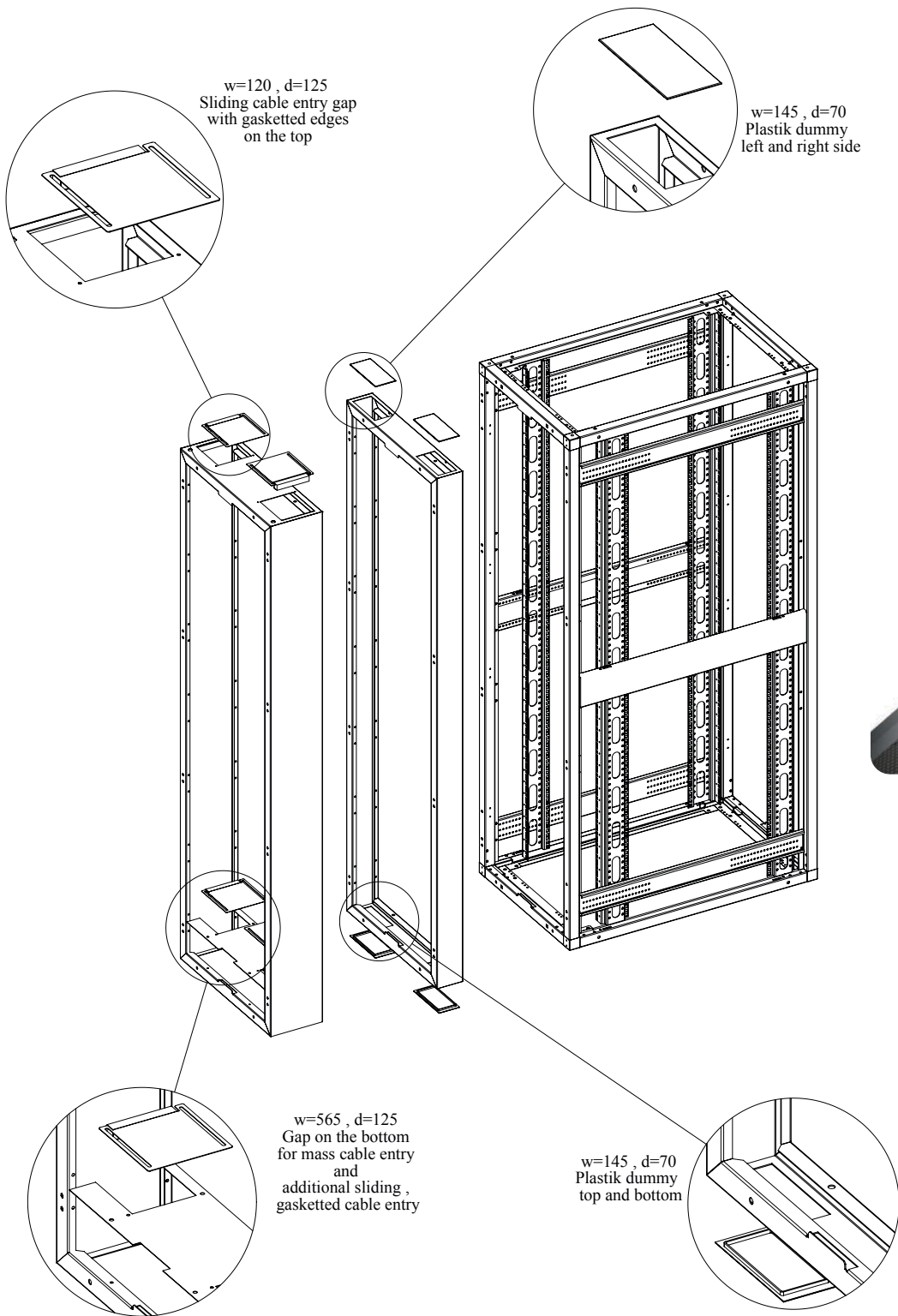


DYNACenter Roof Panel, 600x1000mm. Multi Cable Entry		
Order No	Product Definition	W x H mm.
LN-RF 60100-CC-AXBX	Roof Panel with Multiple Cable Entry Options- 600x1000mm, A1,B1 Empty Cable Entry Openings	600x1000
LN-RF 80100-CC-AX	Roof Panel with Multiple Cable Entry Options- 800x1000mm A1,B1 Empty Cable Entry Openings	800x1000
A1	2 pcs Plastic Dummy Plate for filling A size Cable Entry Points	70x316
A2	Brush For Cable Entry Size A	70x316
A3	Sliding Cable Entry Panel with Gasketed Edge Size A	70x316
B1	1 piece Plastic Dummy Plate for filling B size Cable Entry Points	70x146
B2	Brush For Cable Entry Size B	70x146
B3	Sliding Cable Entry Panel with Gasketed Edge Size B	70x146

** CC= Color Code please define while ordering the color code as LG Light Grey RAL 7035, BL Black RAL 9005



19" DYNAcenter W600xD100/200mm Rear Extension



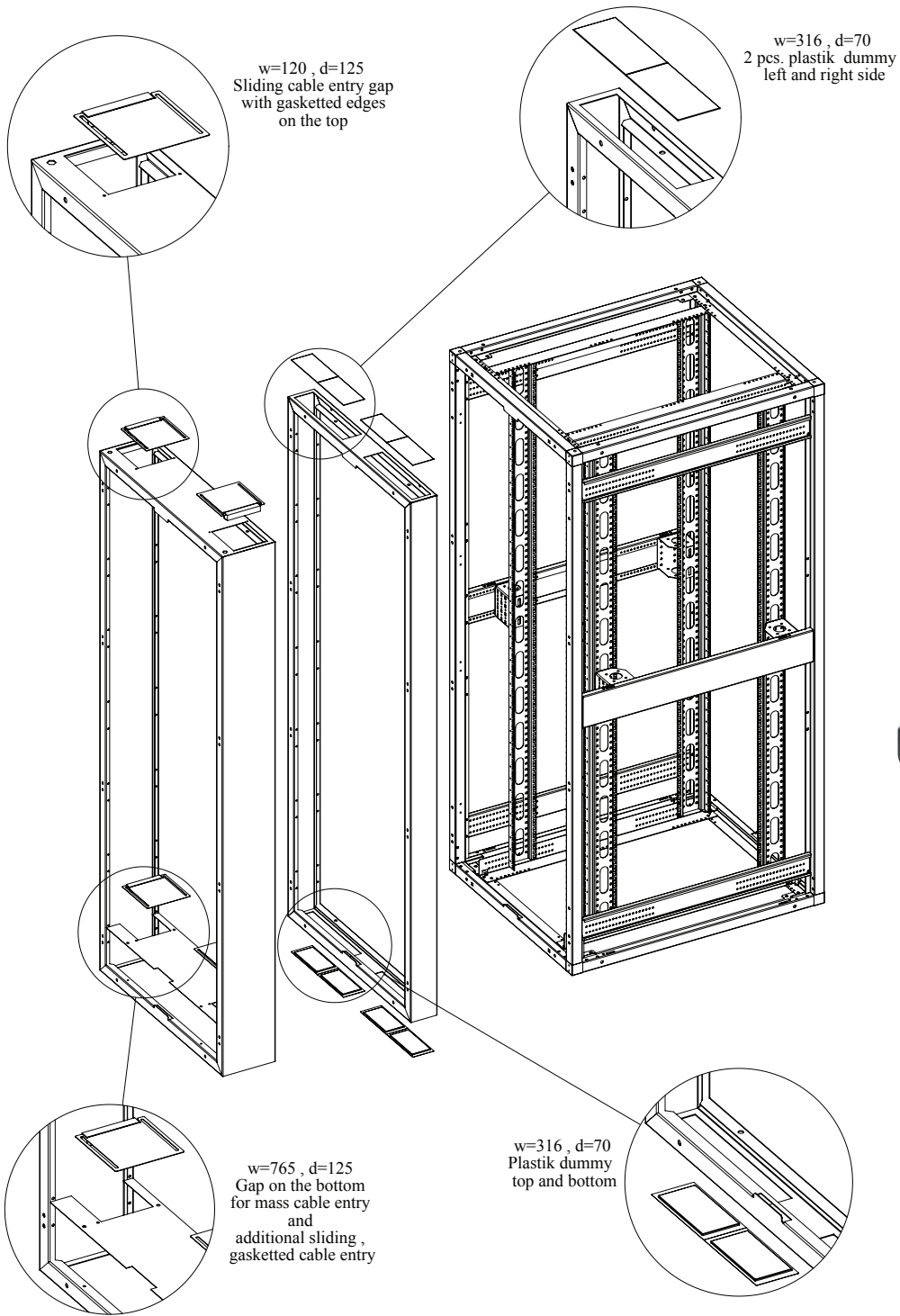
DYNAcenter Rear Extension Module, W600xD100/200mm.

Order No	Product Definition	W x H x D mm.
LN-RE-42U6010-CC	42U Rear Extension Unit, W600xD100mm	600x1955x100
LN-RE-45U6010-CC	45U Rear Extension Unit, W600xD100mm	600x2088x100
LN-RE-47U6010-CC	47U Rear Extension Unit, W600xD100mm	600x2176x100
LN-RE-42U6020-CC	42U Rear Extension Unit, W600xD200mm	600x1955x200
LN-RE-45U6020-CC	45U Rear Extension Unit, W600xD200mm	600x2088x200
LN-RE-47U6020-CC	47U Rear Extension Unit, W600xD200mm	600x2176x200

** CC= Color Code please define while ordering the color code as LG Light Grey RAL 7035, BL Black RAL 9005



19" DYNAcenter W800xD100/200mm Rear Extension

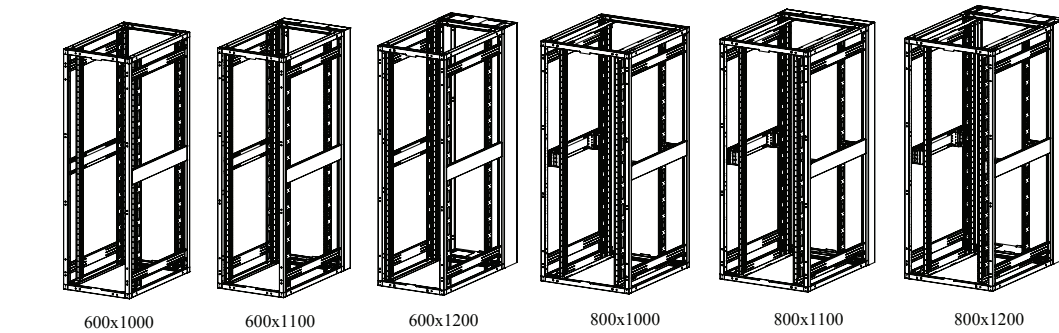
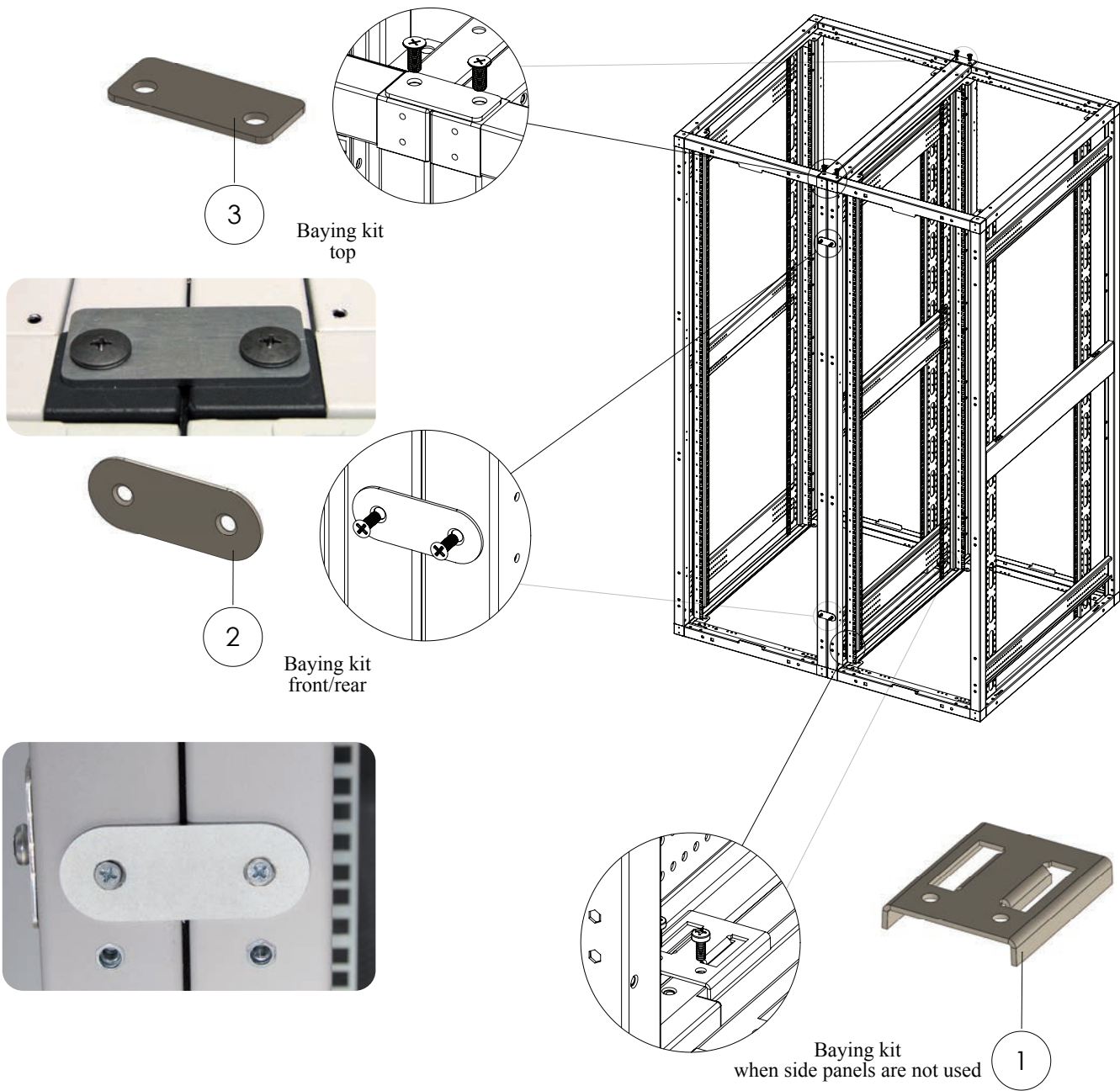


DYNAcenter Rear Extension Module, W800xD100/200mm.

Order No	Product Definition	W x H x D mm.
LN-RE-42U8010-CC	42U Rear Extension Unit, W800xD100mm	800x1955x100
LN-RE-45U8010-CC	45U Rear Extension Unit, W800xD100mm	800x2088x100
LN-RE-47U8010-CC	47U Rear Extension Unit, W800xD100mm	800x2176x100
LN-RE-42U8020-CC	42U Rear Extension Unit, W800xD200mm	800x1955x200
LN-RE-45U8020-CC	45U Rear Extension Unit, W800xD200mm	800x2088x200
LN-RE-47U8020-CC	47U Rear Extension Unit, W800xD200mm	800x2176x200

** CC= Color Code please define while ordering the color code as LG Light Grey RAL 7035, BL Black RAL 9005

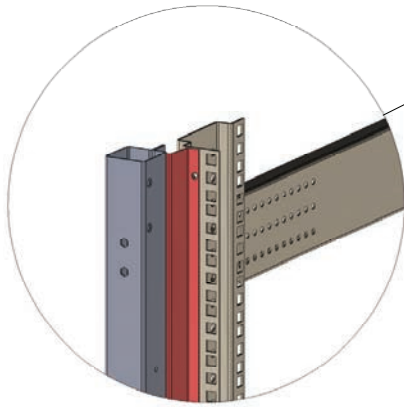
19" DYNAcenter W600xD100/200mm Rear Extension



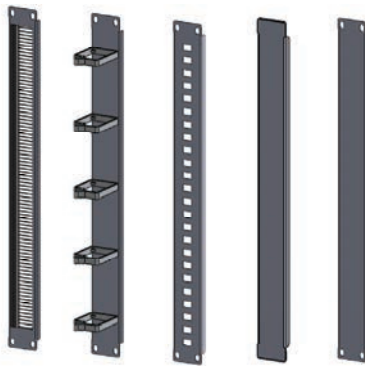
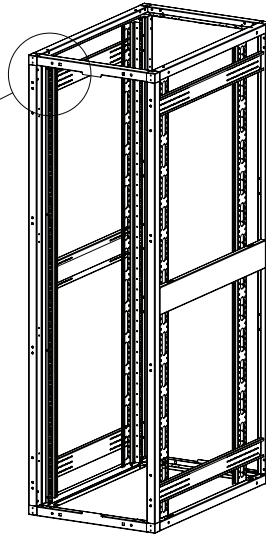
DYNAcenter Side by Side Stacking Kit, W800xD100/200mm.		
Order No	Product Definition	W x H mm.
LN-BGL-DC-01	Cabinet Side By Side Stacking kit, can be used while cabinets are without side panels	-
LN-BGL-DC-02	Cabinet Side By Side Stacking kit, Front and Rear Main Frame assembly	-
LN-BGL-DC-03	Cabinet Side By Side Stacking kit, Connection from Roof	-



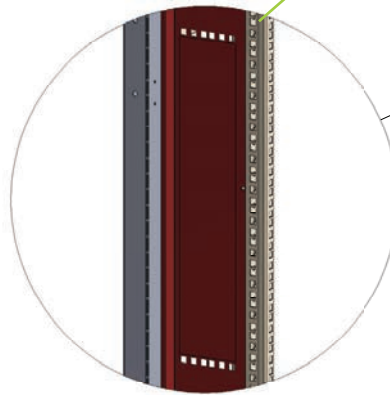
19" DYNACenter Air Blocker Panels



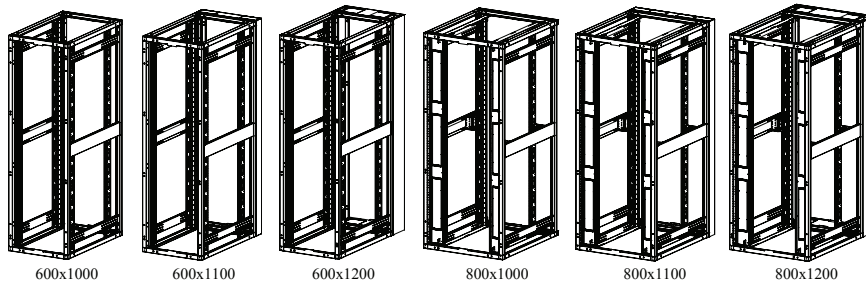
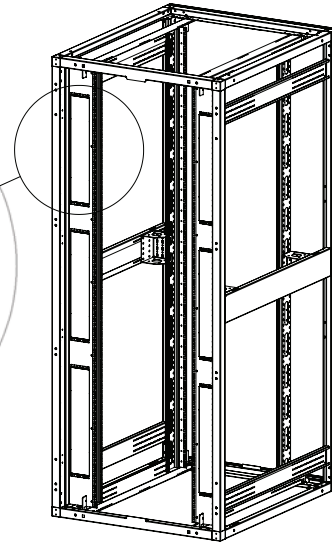
W=600 skirting panel for blocking cold air loss-vertical at 19" rails



Possible to attach various style cable management accessories to the 6U 19" knock out provision



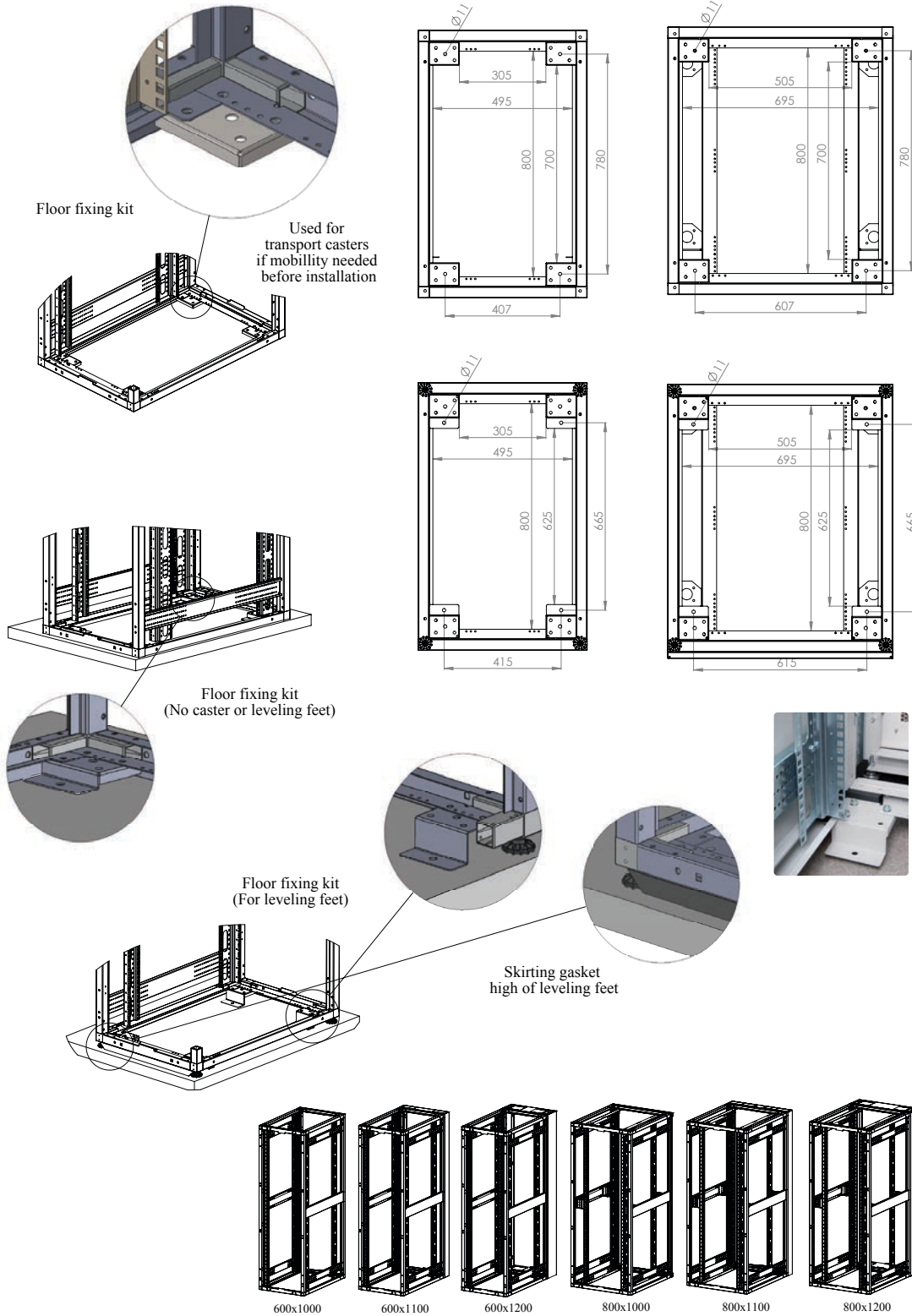
W=800 skirting panel for blocking cold air loss-vertical at 19" rails with 6U 19" provision



DYNACenter Air Blocking Panel, for sides of 19" rails		
Order No	Product Definition	W x H mm.
LN-AB-42U60-CC	Air Blocking 42U Panel, for sides of 19" rails for W600mm. Cabinets	30x1870
LN-AB-45U60-CC	Air Blocking 45U Panel, for sides of 19" rails for W600mm. Cabinets	30x2004
LN-AB-47U60-CC	Air Blocking 47U Panel, for sides of 19" rails for W600mm. Cabinets	30x2093
LN-AB-42U80-CC	Air Blocking 42U Panel, for sides of 19" rails for W600mm. Cabinets	130x1870
LN-AB-45U80-CC	Air Blocking 45U Panel, for sides of 19" rails for W600mm. Cabinets	130x2004
LN-AB-47U80-CC	Air Blocking 47U Panel, for sides of 19" rails for W600mm. Cabinets	130x2093

** CC= Color Code please define while ordering the color code as LG Light Grey RAL 7035, BL Black RAL 9005

19" DYNACenter Floor Fixing



DYNACenter Other Accessories. / Floor Fixing Kit, Skirting Gasget

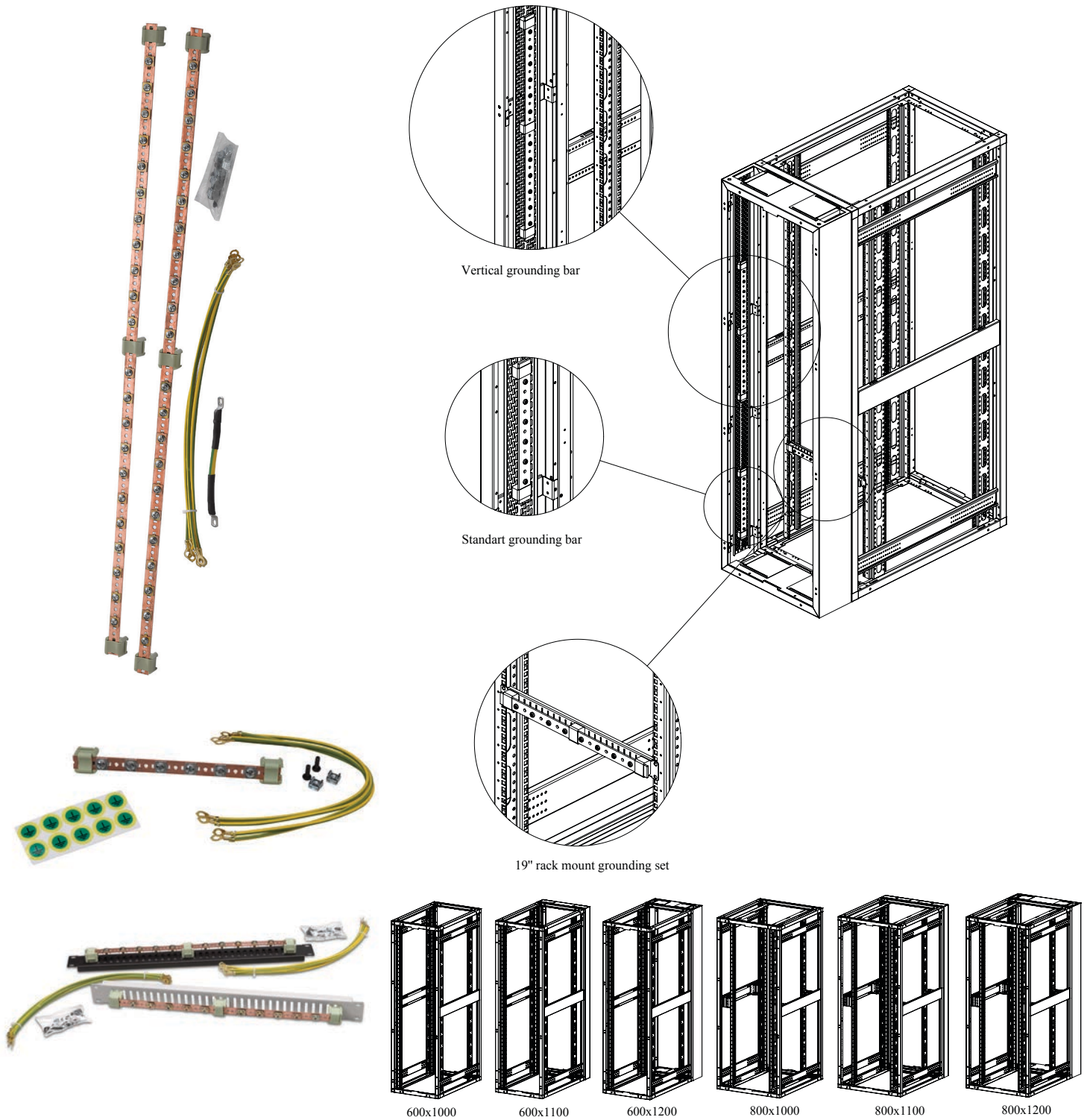
Order No	Product Definition	W x H x D mm.
LN-ZMN-DPR-LV-CC	Floor Fixing Kit 1set=4pcs, usage together with leveling feet*	105x53x120
LN-ZMN-DPR-CS-CC	Floor Fixing Kit 1set=4pcs, usage together with Castor*	105x10x80
LN-ZMN-DPR-DM-CC	Floor Fixing Kit 1set=4pcs, usage together without leveling feet and castor, just frame to floor*	-
LN-ZMN-SKRT	Skirting Gasket H:30mm, while cabinet stands on Leveling Feet , for blocking of air- per meter	-

* Cabinet delivered default without leveling feet, castor group and/or Floor Fixing Kit. The Frame Work of cabinet sits directly to raised floor.

** CC= Color Code please define while ordering the color code as LG Light Grey RAL 7035, BL Black RAL 9005.



19" DYNACenter Grounding



DYNACenter Grounding Units

Order No	Product Definition	W x H x D mm.
LN-DGR-TPR-5L40-XX	Grounding Set, 6 grounding point, 4pcsx4mm diameterx 40cm long yellow/green wires,for basic grounding of cabinet chasis and panels	-
LN-DGR-TPR-1U10-CC	19" rack mount 1U Grounding Set, 10 grounding point, 4 pcsx4mm diameter x 40 cm long yellow/green wires, can be installed at any U height for all cabinet models, 4pcs set of M6 fixing elements.	482X35X44
LN-DGR-TPR-DM20-XX	Vertical Grounding Set 780mm long each ,2pcs 22x2=44 grounding points, 4 pcsx4mm diameter x 40 cm long yellow/green wires, incl the connection wire for the 2 copper bar.	25x25x780

** CC= Color Code please define while ordering the color code as LG Light Grey RAL 7035, BL Black RAL 9005

DYNACenter Accessories Blank Panels Standard version with Screws

Order No	Product Definition	W x H x D mm.
LN-PNL-KPN-1U19-CC	1U 19" Blank Panel Screw type	482X15X44
LN-PNL-KPN-2U19-CC	2U 19" Blank Panel Screw type	482X15X88
LN-PNL-KPN-3U19-CC	3U 19" Blank Panel Screw type	482X15X132
LN-PNL-KPN-4U19-CC	4U 19" Blank Panel Screw type	482X15X176
LN-PNL-KPN-5U19-CC	5U 19" Blank Panel Screw type	482X15X220
LN-PNL-KPN-6U19-CC	6U 19" Blank Panel Screw type	482X15X264

** CC= Color Code please define while ordering the color code as LG Light Grey RAL 7035, BL Black RAL 9005



DYNACenter Accessories Blank Panels Toolless version with Clips

Order No	Product Definition	W x H x D mm.
LN-PNL-TBP-1U19-CC	1U 19" Blank Panel Toolless PVC Clips	482X15X44
LN-PNL-TBP-2U19-CC	2U 19" Blank Panel Toolless PVC Clips	482X15X88
LN-PNL-TBP-3U19-CC	3U 19" Blank Panel Toolless PVC Clips	482X15X132
LN-PNL-TBP-4U19-CC	4U 19" Blank Panel Toolless PVC Clips	482X15X176
LN-PNL-TBP-5U19-CC	5U 19" Blank Panel Toolless PVC Clips	482X15X220
LN-PNL-TBP-6U19-CC	6U 19" Blank Panel Toolless PVC Clips	482X15X264

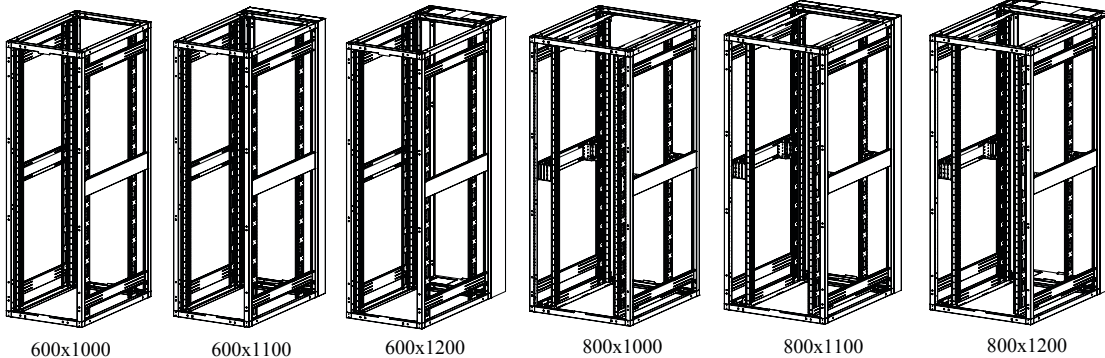
** CC= Color Code please define while ordering the color code as LG Light Grey RAL 7035, BL Black RAL 9005



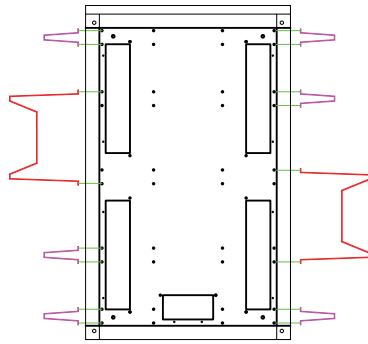
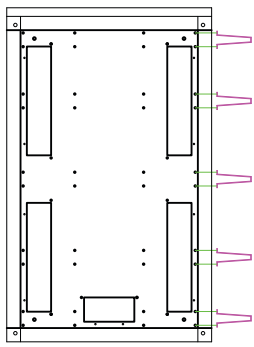
DYNACenter Accessories Blank Panels Toolless Latched

Order No	Product Definition	W x H x D mm.
LN-PNL-LBP-1U19-CC	1U 19" Blank Panel Toolless Latched	482X15X44
LN-PNL-LBP-2U19-CC	2U 19" Blank Panel Toolless Latched	482X15X88
LN-PNL-LBP-3U19-CC	3U 19" Blank Panel Toolless Latched	482X15X132
LN-PNL-LBP-4U19-CC	4U 19" Blank Panel Toolless Latched	482X15X176
LN-PNL-LBP-5U19-CC	5U 19" Blank Panel Toolless Latched	482X15X220
LN-PNL-LBP-6U19-CC	6U 19" Blank Panel Toolless Latched	482X15X264

** CC= Color Code please define while ordering the color code as LG Light Grey RAL 7035, BL Black RAL 9005



19" DYNAceter Roof Cable Management

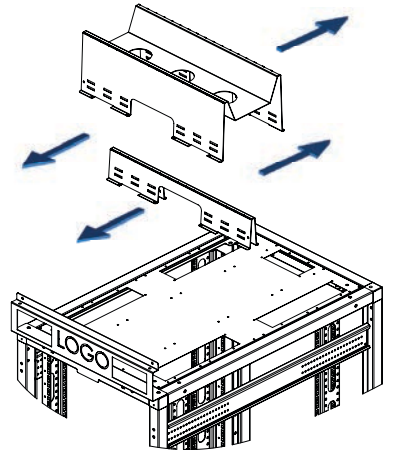
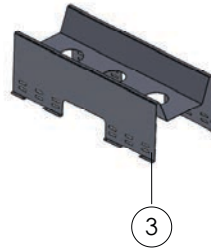
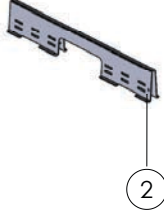
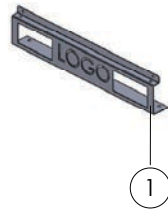


Cable separator for W=600

Front header panel

A type cable separator

M type cable separator

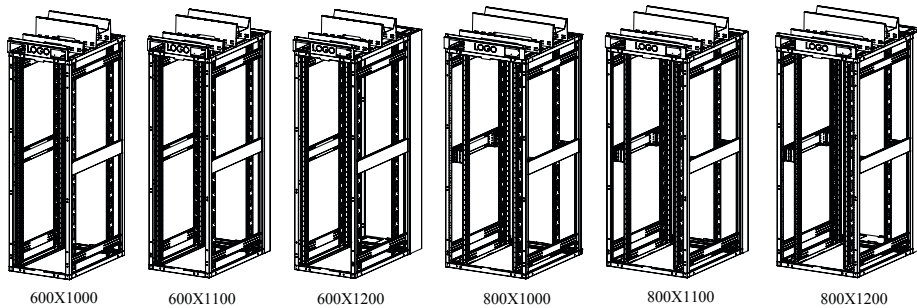
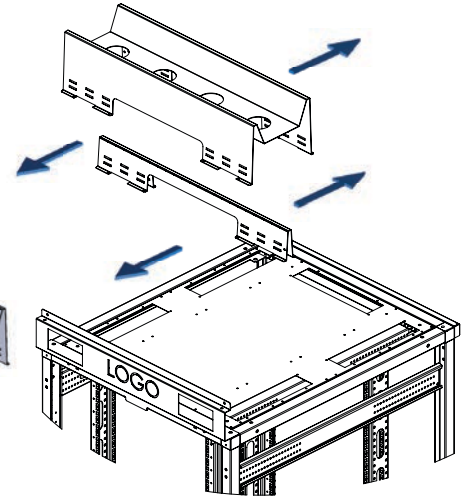
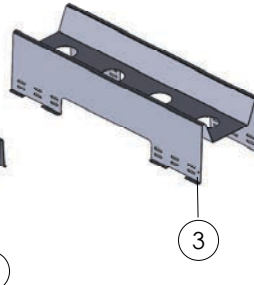
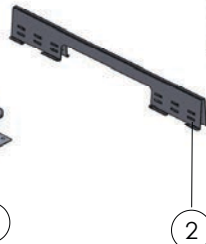
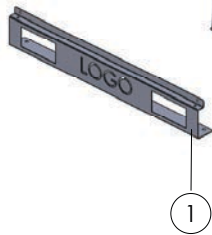


Cable separator for W=800

Front header panel

A type cable separator

M type cable separator



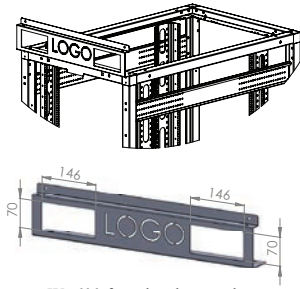
DYNAceter Roof Cable Management Panels W600/800mm.

Order No	Product Definition	W x H x D mm.
LN-KDG-60C-CC	W600mm Front Header Unit- C Shaped- possible with Laser Cut Logo	600x125x65
LN-KDG-60A-CC	W600mm Cable Separator- A Shaped	600x100x50
LN-KDG-60M-CC	W600mm Cable Separator- M Shaped	600x200x276
LN-KDG-80C-CC	W800mm Front Header Unit- C Shaped- possible with Laser Cut Logo	800x125x65
LN-KDG-80A-CC	W800mm Cable Separator- A Shaped	800x100x50
LN-KDG-80M-CC	W800mm Cable Separator- M Shaped	800x200x276

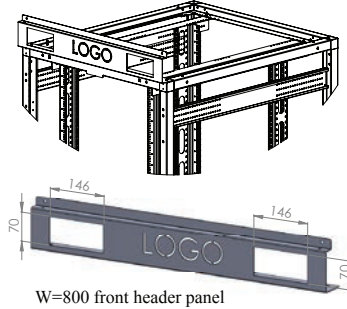
** CC= Color Code please define while ordering the color code as LG Light Grey RAL 7035, BL Black RAL 9005



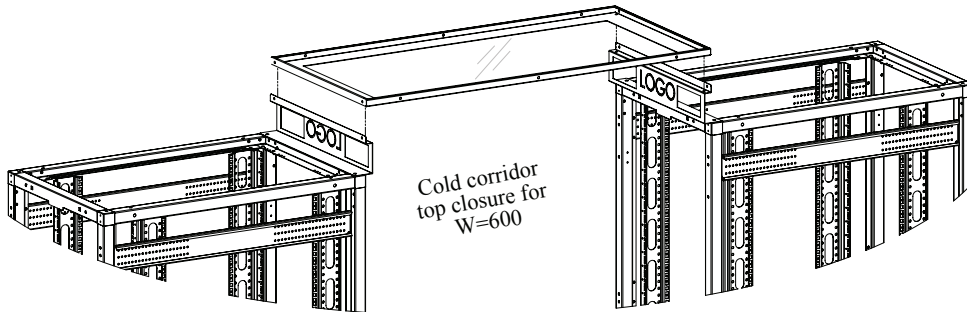
19" DYNAcenter Cold/Hot Corridor Roof Cover



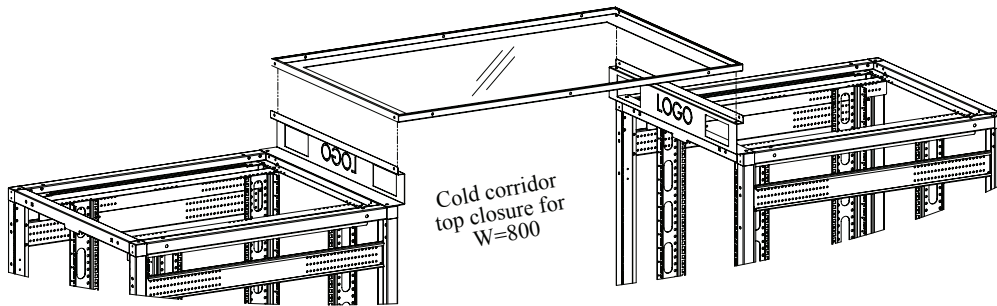
W=600 front header panel



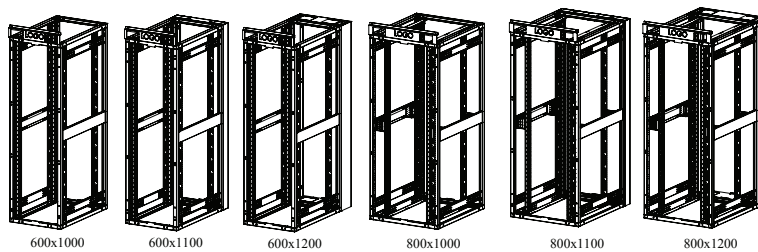
W=800 front header panel



Cold corridor top closure for W=600



Cold corridor top closure for W=800



DYNAcenter Roof Cover Plates for Hot/Cold Corridor Containment W600/800mm.

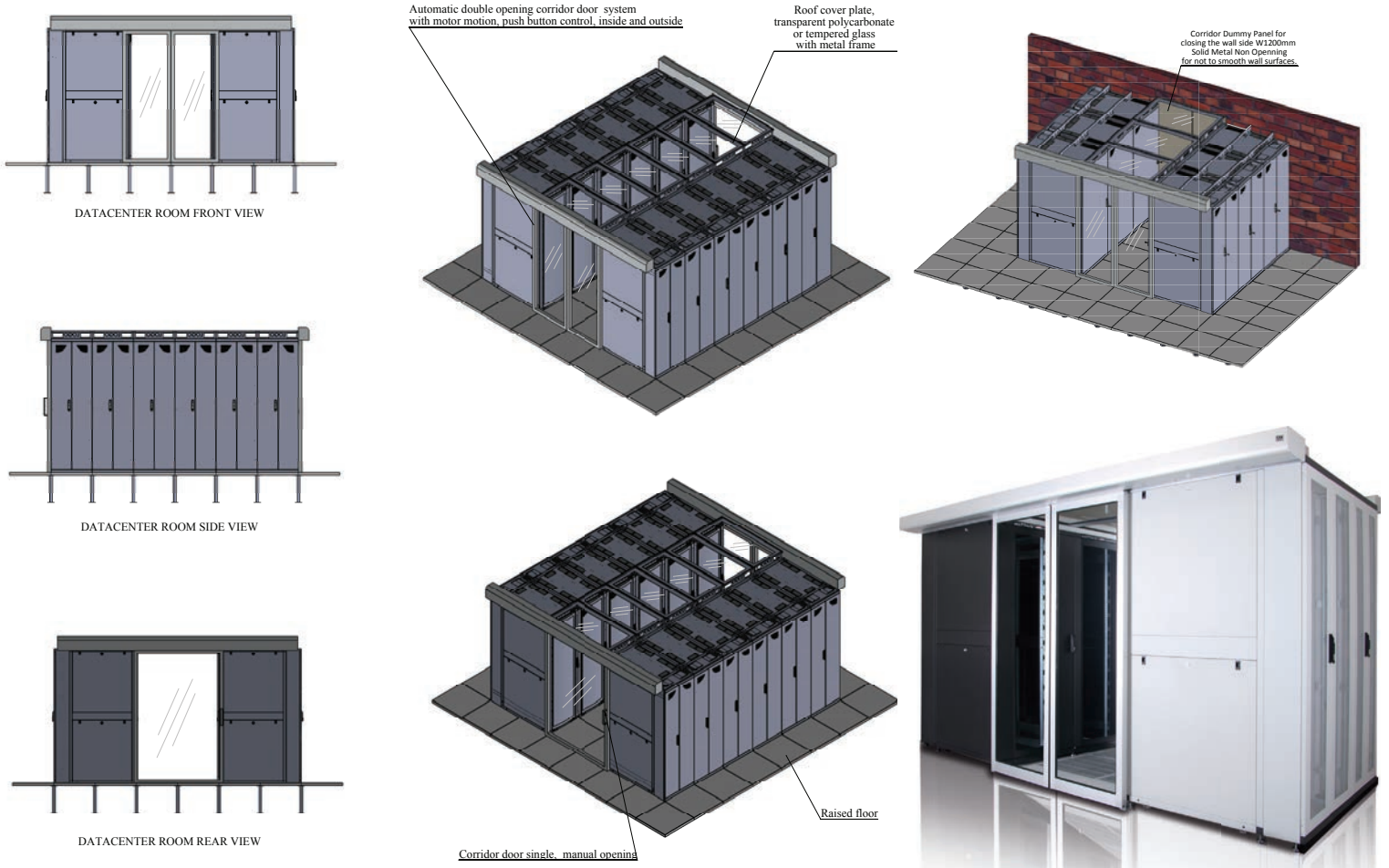
Order No	Product Definition	W x H x D mm.
LN-RCP-6012P-CC	Roof Cover Plate, Transparent Polycarbonate with Metal Frame, 600x1200mm	600x25x1250
LN-RCP-8012P-CC	Roof Cover Plate, Transparent Polycarbonate with Metal Frame, 800x1200mm	800x25x1250
LN-RCP-6012G-CC	Roof Cover Plate, Secure Glass with Metal Frame, 600x1200mm	600x25x1250
LN-RCP-8012G-CC	Roof Cover Plate, Secure Glass with Metal Frame, 800x1200mm	800x25x1250

* Header Unit is crucial for assembly of Roof Cover Plates

** CC= Color Code please define while ordering the color code as LG Light Grey RAL 7035, BL Black RAL 9005



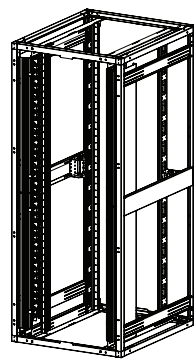
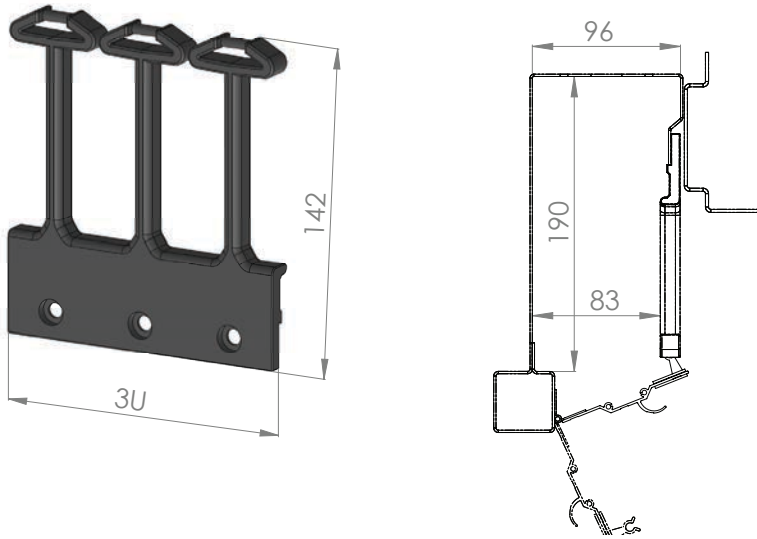
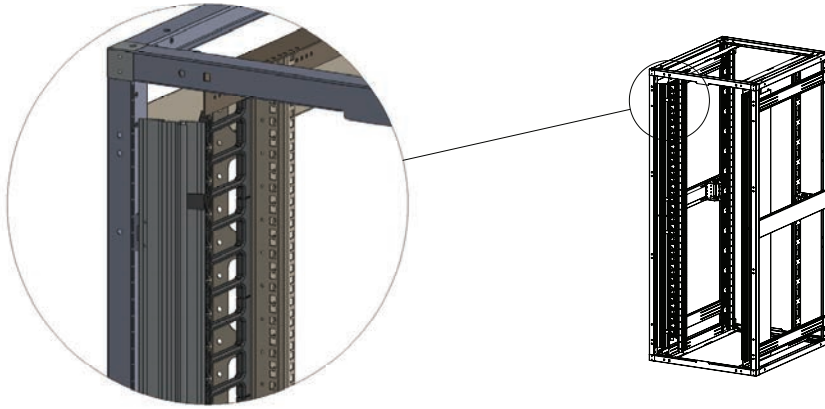
19" DYNACenter Cold/Hot Corridor Doors



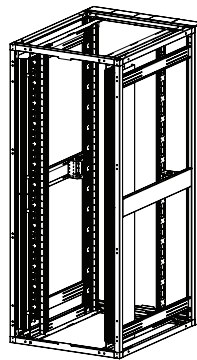
DYNACenter Cold/Hot Corridor Doors and accessories.		
Order No	Product Definition	W x H mm.
LN-CDS42U12	42U Size Corridor Door Single Opening W1200mm Secure Glass, Manual Opening	1280x2005
LN-CDS45U12	45U Size Corridor Door Single Opening W1200mm Secure Glass, Manual Opening	1280x2138
LN-CDS47U12	47U Size Corridor Door Single Opening W1200mm Secure Glass, Manual Opening	1280x2226
LN-CDD42U12-AT	42U Size Coridor Door System, Double opening, W1200 Secure glass, Automatic Opening with motor motion W1200mm, with push button control, inside and outside	1280x2005
LN-CDD45U12-AT	45U Size Coridor Door System, Double opening, W1200 Secure glass, Automatic Opening with motor motion W1200mm, with push button control, inside and outside	1280x2138
LN-CDD47U12-AT	47U Size Coridor Door System, Double opening, W1200 Secure glass, Automatic Opening with motor motion W1200mm, with push button control, inside and outside	1280x2226
LN-PRX-01	Lande Proximity Module, integration to Automatic Door Option	-
LN-KYP-01	Lande Keypad Module, integration to Automatic Door Option	-
LN-FPS-01	Lande Finger Print Module, integration to Automatic Door Option	-
LN-DMY42U12-CC	42U Size Dummy Closed Corridor Wall Side incase walls are not smooth enough	1280x2005
LN-DMY45U12-CC	42U Size Dummy Closed Corridor Wall Side incase walls are not smooth enough	1280x2138
LN-DMY47U12-CC	42U Size Dummy Closed Corridor Wall Side incase walls are not smooth enough	1280x2226

** CC= Color Code please define while ordering the color code as LG Light Grey RAL 7035, BL Black RAL 9005

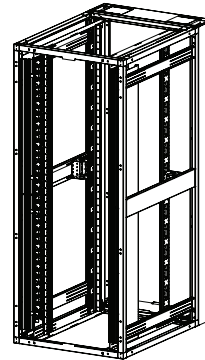
19" DYNAcenter Vertical Cable Management



800X1000



800X1100



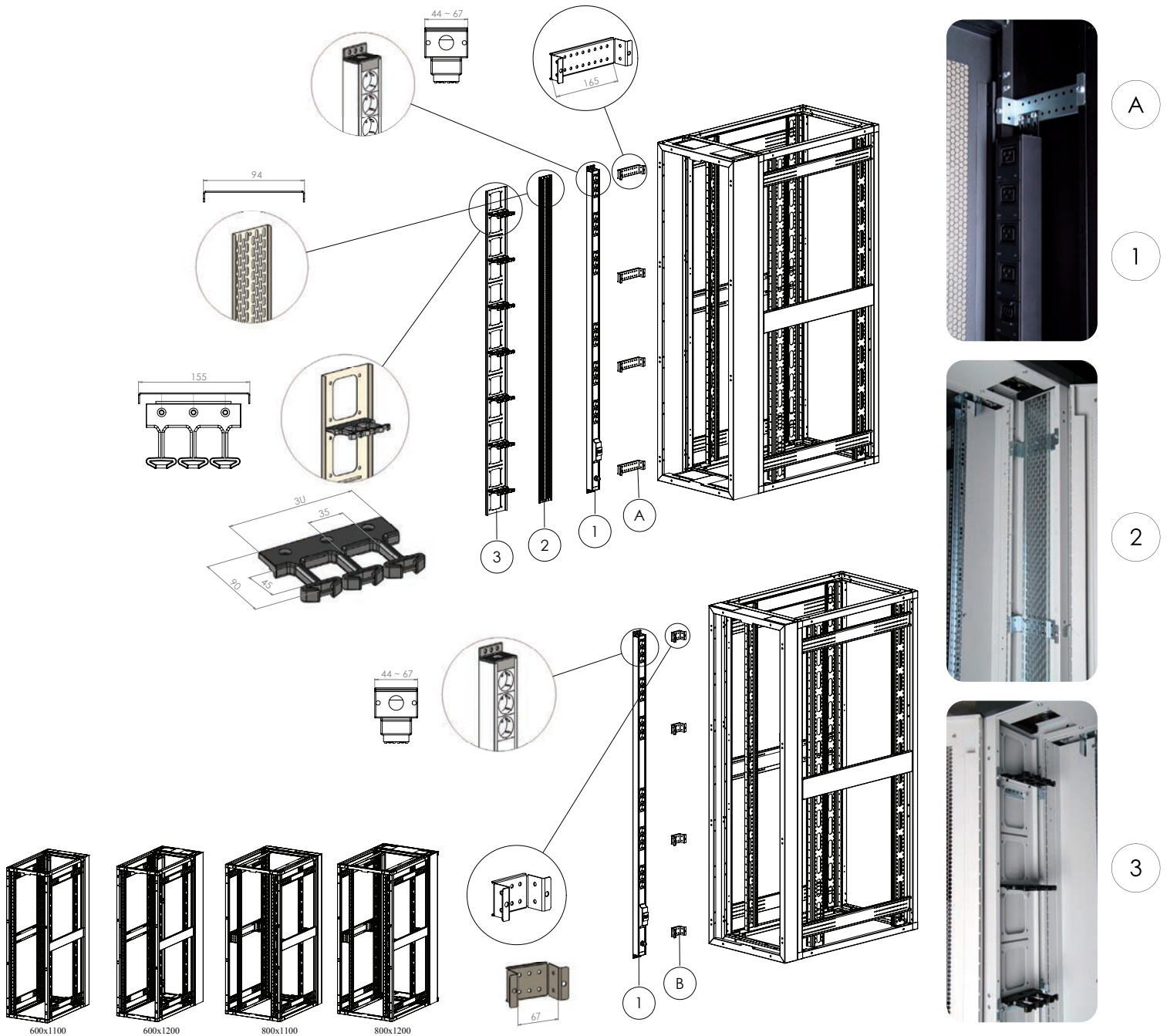
800X1200

DYNAcenter Vertical Cable Management Panels, for W800mm NETWORK/CABLING CABINETS

Order No	Product Definition	W x H x D mm.
LN-KDG-ORG-42U190-CC	42U W=96mm D=190mm Vertical Cable Management Panel, Finger Type with Hinged Aluminium Front Cover Plate 1set=2pcs	100x1780x240
LN-KDG-ORG-45U190-CC	45U W=96mm D=190mm Vertical Cable Management Panel, Finger Type with Hinged Aluminium Front Cover Plate 1set=2pcs	100x1914x240
LN-KDG-ORG-47U190-CC	47U W=96mm D=190mm Vertical Cable Management Panel, Finger Type with Hinged Aluminium Front Cover Plate 1set=2pcs	100x2003x240

** CC= Color Code please define while ordering the color code as LG Light Grey RAL 7035, BL Black RAL 9005

19" DYNACenter Rear Extension Unit Accessories

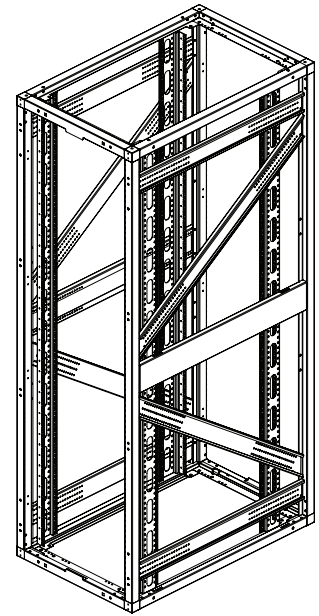
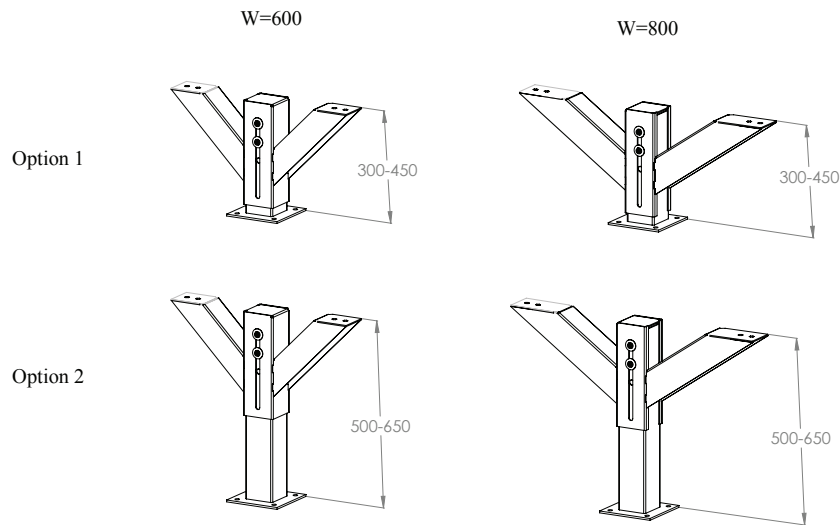


DYNACenter Accessories for Extension Units D100/200mm.

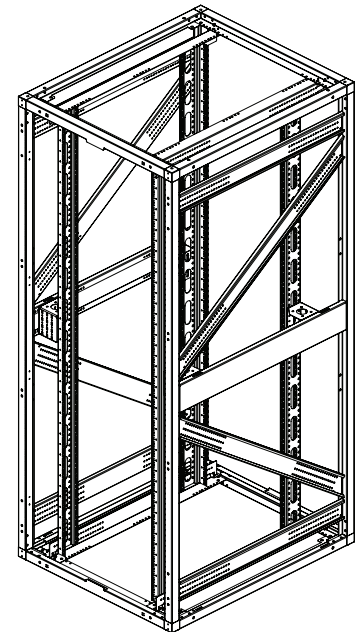
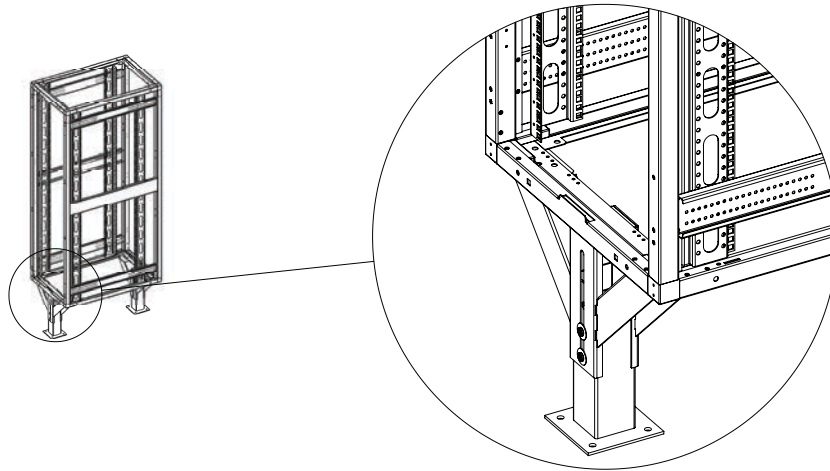
Order No	Product Definition	W x H mm.
LN-PHLD-165-ZN	General Purpose Holder Bracket for PDU, Cable Tray etc for D200mm Extension Unit, Zinc Plated- 1set 4pcs	185x38
LN-PHLD-067-ZN	General Purpose Holder Bracket for PDU, Cable Tray etc for D100mm Extension Unit, Zinc Plated- 1set 4pcs	85x38
LN-FM-TRAY-S-42U-CC	42U Cable Tray- integrated with Set of 3U L90mm (45mm Usable Section for Cabling) Finger Management system, for W600 Cabinets	160x1870
LN-FM-TRAY-S-45U-CC	45U Cable Tray- integrated with Set of 3U L90mm (45mm Usable Section for Cabling) Finger Management system, for W600 Cabinets	160x2089
LN-FM-TRAY-S-47U-CC	47U Cable Tray- integrated with Set of 3U L90mm (45mm Usable Section for Cabling) Finger Management system, for W600 Cabinets	160x2000
LN-KDG-CMT-42UK-ZN	42U Cable Tray Zinc Plated W=90mm	90x1885
LN-KDG-CMT-45UK-ZN	45U Cable Tray Zinc Plated W=90mm	90x2020
LN-KDG-CMT-47UK-ZN	47U Cable Tray Zinc Plated W=90mm	90x2108

** CC= Color Code please define while ordering the color code as LG Light Grey RAL 7035, BL Black RAL 9005

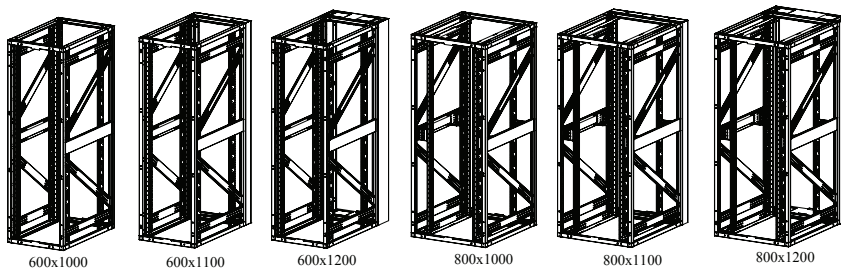
19" DYNAcenter Seismic Supports



600x1000



800x1000

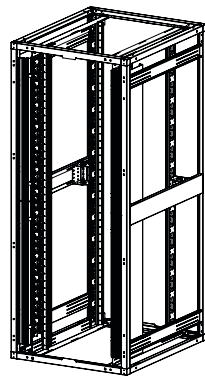
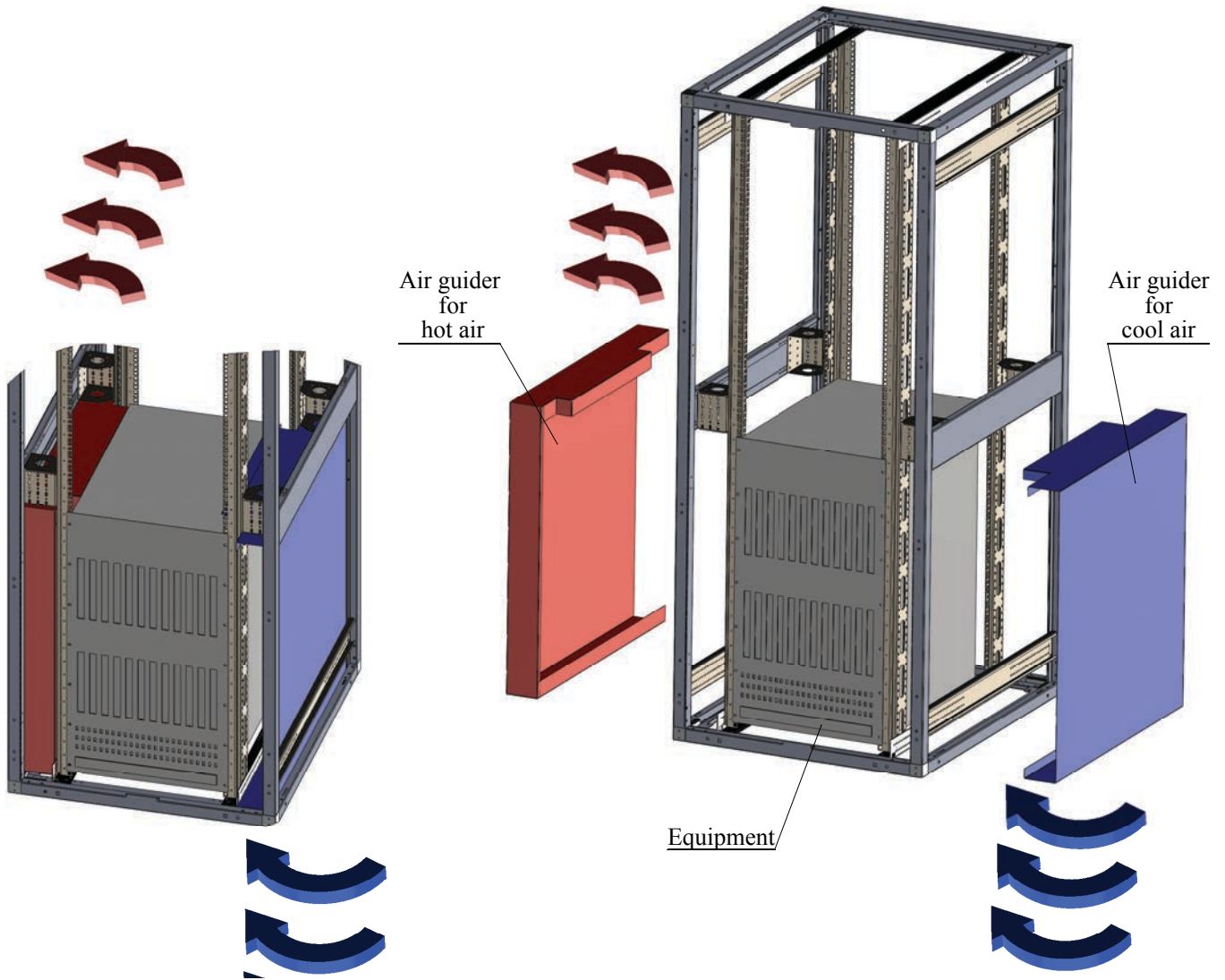


DYNAcenter Accessories Seismic Support Kit		
Order No	Product Definition	W x H mm.
LN-SMC-D1000-42-CC	Seismic Support Kit for Cabinet increasing the stability to Dynamic 1500 kgs Load Capacity for 42U cabinet	70x1000
LN-SMC-D1000-45-CC	Seismic Support Kit for Cabinet increasing the stability to Dynamic 1500 kgs Load Capacity for 45U cabinet	70x1020
LN-SMC-D1000-47-CC	Seismic Support Kit for Cabinet increasing the stability to Dynamic 1500 kgs Load Capacity for 47U cabinet	70x1040
LN-SPP-45-ZN-60	Support Kit For Raised floor and Cabinet, bolting together, H30-45cm Adjustable-for W600mm Cabinets 1set-2pcs for each cabinet	520x305
LN-SPP-65-ZN-60	Support Kit For Raised floor and Cabinet, bolting together, H50-65cm Adjustable-for W600mm Cabinets 1set-2pcs for each cabinet	520x505
LN-SPP-45-ZN-80	Support Kit For Raised floor and Cabinet, bolting together, H30-45cm Adjustable-for W800mm Cabinets 1set-2pcs for each cabinet	720x305
LN-SPP-65-ZN-80	Support Kit For Raised floor and Cabinet, bolting together, H50-65cm Adjustable-for W800mm Cabinets 1set-2pcs for each cabinet	720x505

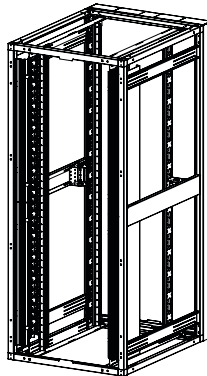
** CC= Color Code please define while ordering the color code as LG Light Grey RAL 7035, BL Black RAL 9005



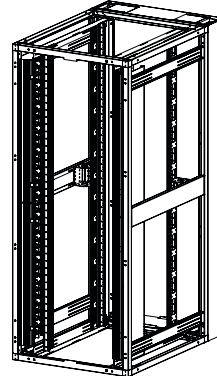
19" DYNAcenter Direct Air Exhaust Kit



800X1000



800X1100



800X1200

DYNAcenter Accessories Air Exhaust Kit

Order No	Product Definition	W x H mm.
LN-DAEXH-W800-BL	Direct Hot Air Exhaust and intake Kit, for W800mm Network cabinets	-

** CC= Color Code please define while ordering the color code as LG Light Grey RAL 7035, BL Black RAL 9005

*** Configured and designed based on the selected Network Switch System

High Density Open Frames and System RACKs



High Density Open Frames and System RACKs

W=530mm DYNAframe OPEN FRAME System Racks

DYNAframe series Open Frame System Racks offered for Networking and Servering applications, where there is no need of a closed enclosure due to security, climatized, and dust free conditions like Datacentre, Laboratories, Clean Rooms.

As well if only the cabling work to be completed with passive networking equipments and cabling, than the DYNAframe solutions provide a very cost effective solution, with ergonomy and easy assembly

While product gives maximum performance on servering and networking infrastructure, in parallel provides a very respective economy compared to its quality which is based on high technologic fully automated industry.

The product range is available in 5 heights from 27U through 48U.

The wide product height portfolio meets any U requirement in infrastructure needs.

The product range attracts the attention with the mostly environmentally fit and selected color of RAL 9005 Black, and RAL 7035 Light Grey, with fine wrinkle soft touch paint.

Completely standard and stocked product portfolio, being delivered as Flat Packed product, as shipping configuration the adjustable feet group is included. With flat package, product range is offering a superior result of economic transport cost scheme.

DYNAframe Series product range with optimal panel mounting size, and a variety range of accesories , especially the most functional cable management accesories enclose the whole expectation of users.



High Density Open Frames and System RACKs

CONSTRUCTION DETAILS:

Main Profile- Framework- Top/Bottom Frame:

Automated bending technology applied Frame system, from steel material 2,0mm thickness.

The connection L supports on top are 4,0mm thickness Steel Material



The connection L supports on bottom are 4,0mm thickness Steel Material where the caster group or leveling feet assembled into 12mm diameter holes.



DYNAframe series Open Frame System racks have a professional technical but aesthetic look with the mostly environmentally fit and selected color of RAL 9005 Black, and RAL 7035 Light Grey, with fine wrinkle soft touch paint.

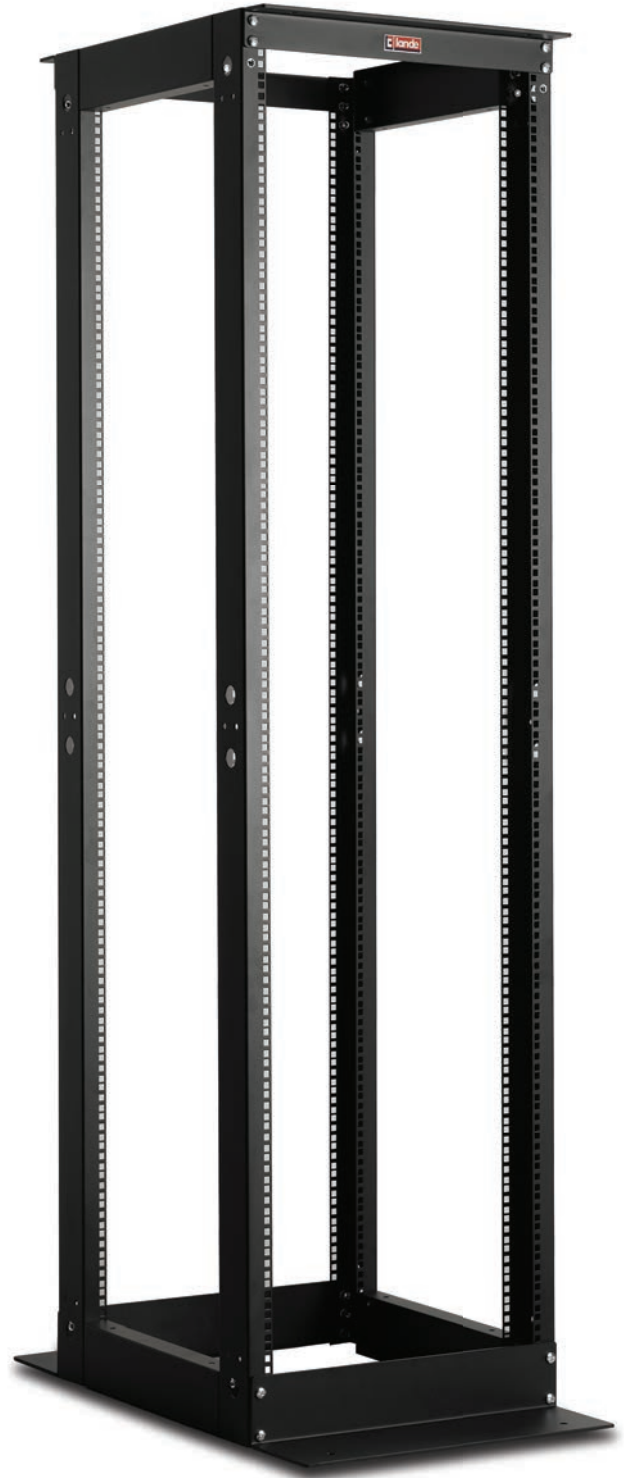
Fully Modular structure, easy assembly and flat pack supply operated with high quantity in shipment vehicles. Easy assembly measured value of 8 minutes for double frame, and 3 minutes for Single Frame can be performed.

Heavy duty structure of frames and L supports results to high load capacity of: 600 kgs.

Two Frame models are available, d80mm and d160mm. Single Frame Model can be created from both d80mm and d160mm frames. Double section segment is created from d80mm frames.

With depth Frame connection brackets, D:670mm, D:870mm, D:1070mm Double Frames can be configured.

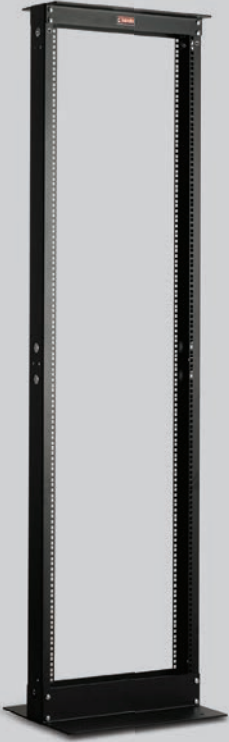
All Free Standing Shelving accessories are compatible with the double frame System racks, selection of shelves are as per the depth information mentioned in the accessory section, and compatibility charts.



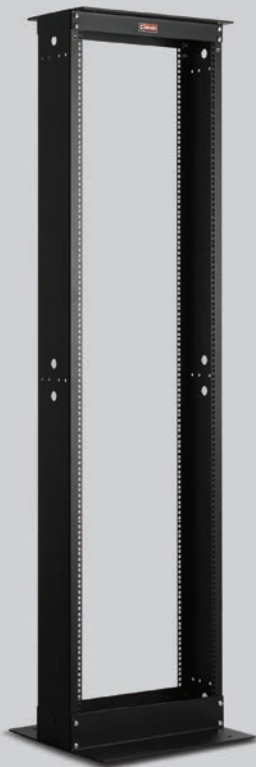
High Density Open Frames and System RACKs

PRODUCT TYPES:

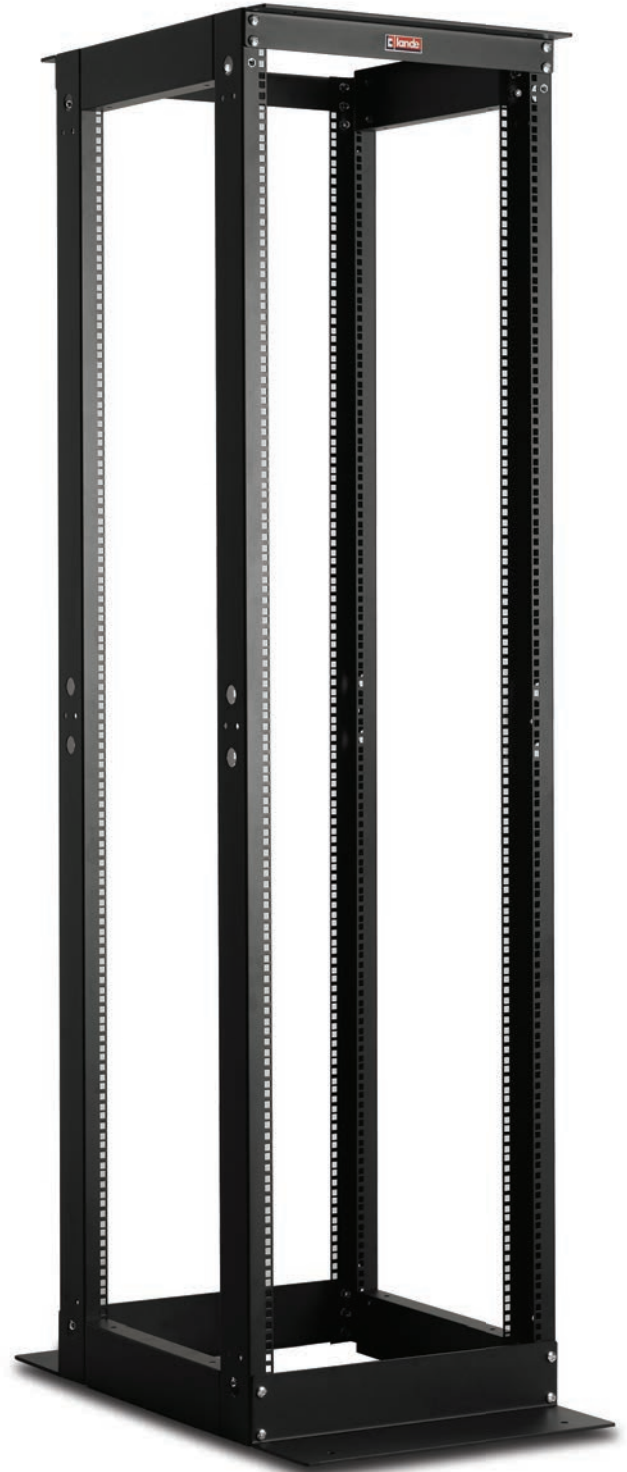
DYNAframe Single Open Frame System Rack with d80mm Frame Unit



DYNAframe Single Open Frame System Rack with d160mm Frame Unit



DYNAframe Double Open Frame System Rack with d80mm Frame Unit



19" High Density Open Frames and System Racks Single
Frames d:80mm Frame Unit

Width: 530 mm.
Depth: 380 mm.

Width=530mm
Depth=380mm

Standard Heights:

5 different U heights:
27U, 36U, 42U, 45U, 48U

Standards, and Compliances:



ISO 9001:2008
Quality Management System

EN 61587 -1:2012
Mechanical Structures for
Electronic Equipment

IEC 297-1, 19" mounting
IEC 297-2 Overall cabinet dimensions



CE conform to
EN 60950-1:2006
Information Technology
Equipment – Safety – Part-1-
General Requirements



Environment Friendly;
*Environmental awareness
*RoHS compliancy
*% 100 Recyclable
Material

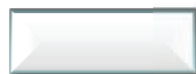
Load Capacity: 600 kgs.



DYNAframe series OPEN
FRAME SYSTEM RACKs
networking Frames are with 19"
w:530mm and d:380mm base L
parts size, physical sizes, 5
different height, gives a wide
selection chart for users

Single Frame depth is mentioned
as the depth of Base Frame, the
depth of Frame unit is 80mm

Standard Color:



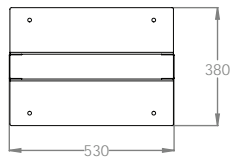
RAL 7035 Light Grey



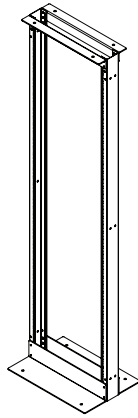
RAL 9005 Black



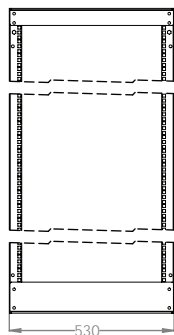
DETAILS and
EXPLODED
VIEW



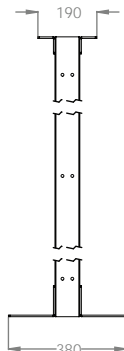
BOTTOM VIEW



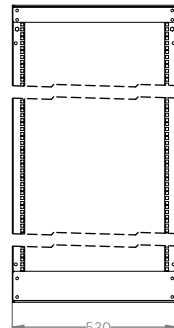
ISOMETRIC VIEW



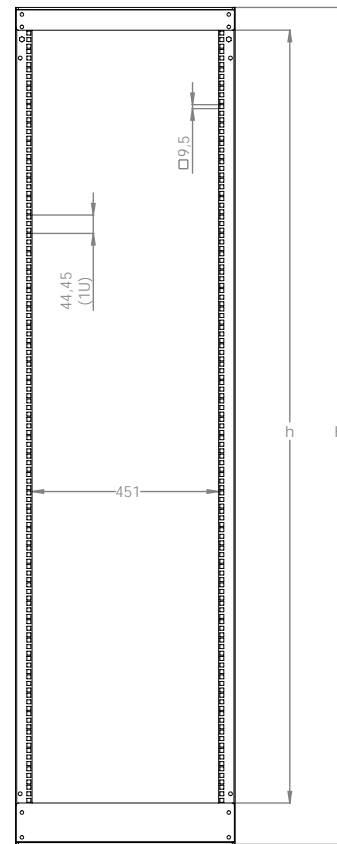
FRONT VIEW



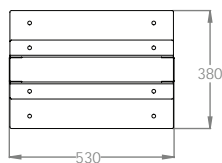
SIDE VIEW



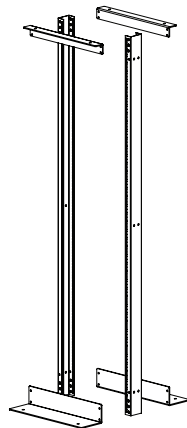
REAR VIEW



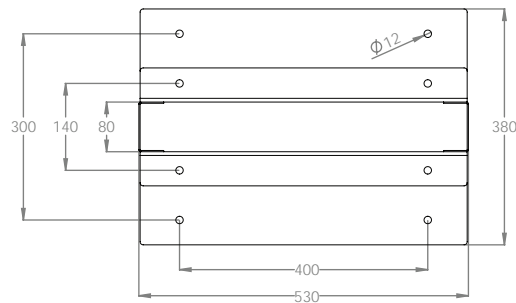
DIMENSIONS IN
WIDTH AND HEIGHT



TOP VIEW



EXPLODED VIEW



TOP VIEW
MOUNTING DIMENSIONS

19" DYNAframe OPEN FRAME SYSTEM RACKs Single Frames d:80mm Frame Unit Width:530mm Depth: 380mm

ROOT Product Number ***	Product Description	Size WXD _X H mm	h size in U	h in mm	H mm, overall without feet and/or castor	Width Overall mm	Width Rail to Rail	Depth Overall mm	Depth of Rail	PACKING DIMENSIONS WXD _X H mm	QTY IN PACKAGE	Standard NET Weight of product kgs	Gross Weight of Product kgs
LN-OF27USD380-CC	27U D=80mm Frame Single Frame Open System Rack D=380mm	530x380x1356	27U	1200	1356	530	19"	380	80	165x120x1375	1	20	21
LN-OF36USD380-CC	36U D=80mm Frame Single Frame Open System Rack D=380mm	530x380x1756	36U	1600	1756	530	19"	380	80	165x120x1775	1	22,5	23,5
LN-OF42USD380-CC	42U D=80mm Frame Single Frame Open System Rack D=380mm	530x380x2022	42U	1867	2022	530	19"	380	80	165x120x2040	1	23,5	24
LN-OF45USD380-CC	45U D=80mm Frame Single Frame Open System Rack D=380mm	530x380x2156	45U	2000	2155	530	19"	380	80	165x120x2175	1	24,1	25,6
LN-OF48USD380-CC	48U D=80mm Frame Single Frame Open System Rack D=380mm	530x380x2289	48U	2133	2289	530	19"	380	80	165x120x2310	1	24,7	26,2

***CC= LG for Light Grey RAL 7035 & BL for Black RAL 9005 for customers to define while ordering.

19" High Density Open Frames and System Racks Single
Frames d:160mm Frame Unit

Width: 530 mm.
Depth: 460 mm.

Width=530mm
Depth=460mm

Standard Heights:

5 different U heights:
27U, 36U, 42U, 45U, 48U

Standards, and Compliances:



ISO 9001:2008

Quality Management System

EN 61587 -1:2012
Mechanical Structures for
Electronic Equipment

IEC 297-1, 19" mounting
IEC 297-2 Overall cabinet dimensions

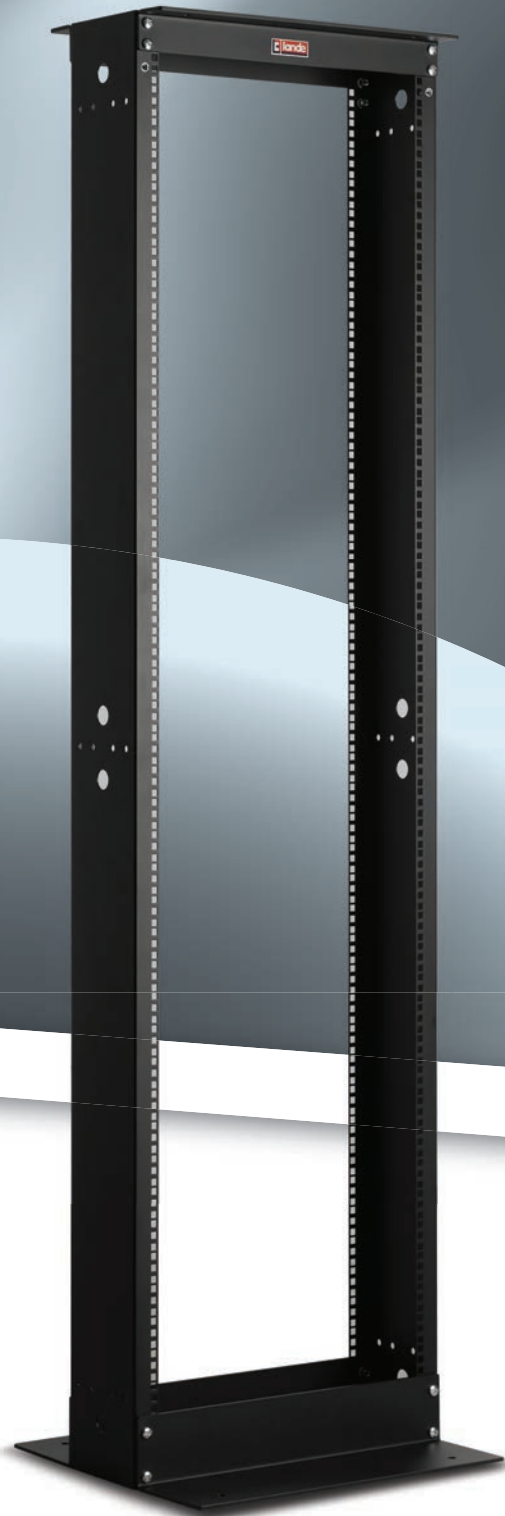


CE conform to
EN 60950-1:2006
Information Technology
Equipment – Safety – Part-1-
General Requirements



Environment Friendly;
*Environmental awareness
*RoHS compliancy
*% 100 Recyclable
Material

Load Capacity: 600 kgs.



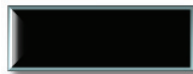
DYNAframe series OPEN
FRAME SYSTEM RACKs
networking Frames are with 19"
w:530mm and d:460mm base L
parts size, physical sizes, 5
different height, gives a wide
selection chart for users

Single Frame depth is mentioned
as the depth of Base Frame, the
depth of Frame unit is 160mm

Standard Color:



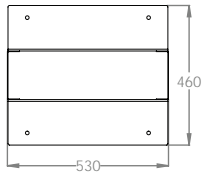
RAL 7035 Light Grey



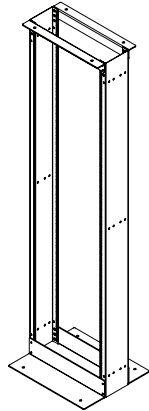
RAL 9005 Black



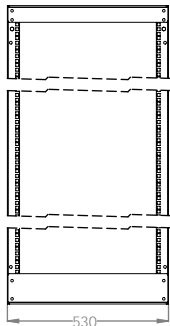
DETAILS and
EXPLODED
VIEW



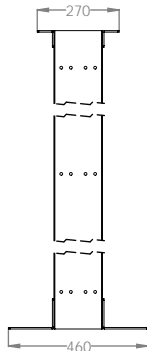
BOTTOM VIEW



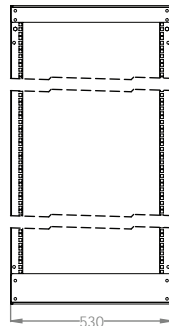
ISOMETRIC VIEW



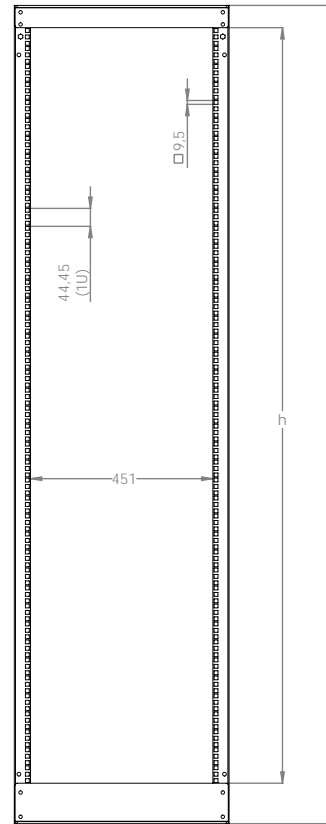
FRONT VIEW



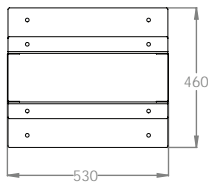
SIDE VIEW



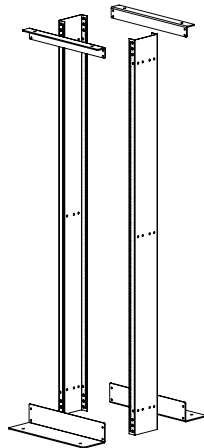
REAR VIEW



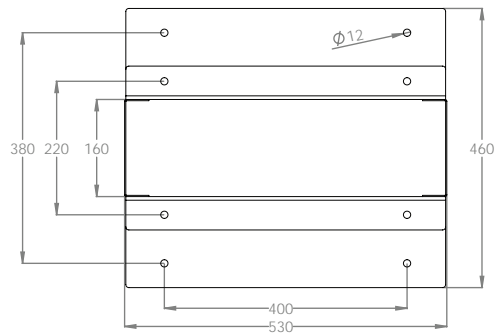
DIMENSIONS IN
WIDTH AND HEIGHT



TOP VIEW



EXPLODED VIEW



TOP VIEW
MOUNTING DIMENSIONS

19" DYNAframe OPEN FRAME SYSTEM RACKs Single Frames d:160mm Frame Unit Width:530mm Depth: 460mm

ROOT Product Number ***	Product Description	Size WXDxH mm	h size in U	h in mm	H mm, overall without feet and/or castor	Width Overall mm	Width Rail to Rail	Depth Overall mm	Depth of Rail	PACKING DIMENSIONS WXDxH mm	QTY IN PACKAGE	Standard NET Weight of product kgs	Gross Weight of Product kgs
LN-OF27USD460-CC	27U D=160mm Frame Single Frame Open System Rack D=460mm	530x460x1356	27U	1200	1356	530	19"	460	160	190x115x1375	1	23,2	24
LN-OF36USD460-CC	36U D=160mm Frame Single Frame Open System Rack D=460mm	530x460x1756	36U	1600	1756	530	19"	460	160	190x115x1775	1	26,5	27,4
LN-OF42USD460-CC	42U D=160mm Frame Single Frame Open System Rack D=460mm	530x460x2022	42U	1867	2022	530	19"	460	160	190x115x2040	1	28,5	29,5
LN-OF45USD460-CC	45U D=160mm Frame Single Frame Open System Rack D=460mm	530x460x2156	45U	2000	2156	530	19"	460	160	190x115x2175	1	29,5	30,8
LN-OF48USD460-CC	48U D=160mm Frame Single Frame Open System Rack D=460mm	530x460x2289	48U	2133	2289	530	19"	460	160	190x115x2310	1	30,5	32

***CC= LG for Light Grey RAL 7035 & BL for Black RAL 9005 for customers to define while ordering.

19" High Density Open Frames and System Racks
Double Frames d:80mm Frame Unit

Width: 530 mm.
Depth: 670/870/1070 mm.

Width=530mm
Depth=670/870/1070mm

Standard Heights:

5 different U heights:
27U, 36U, 42U, 45U, 48U

Standards, and Compliances:



ISO 9001:2008
Quality Management System

EN 61587 -1:2012
Mechanical Structures for
Electronic Equipment

IEC 297-1, 19" mounting
IEC 297-2 Overall cabinet dimensions



CE conform to
EN 60950-1:2006
Information Technology
Equipment – Safety – Part-1-
General Requirements



Environment Friendly;
*Environmental awareness
*RoHS compliancy
*% 100 Recyclable
Material

Load Capacity: 600 kgs.

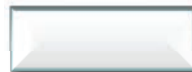


DYNAframe series OPEN FRAME SYSTEM RACKs networking Frames are with 19" w:530mm and d:670/870/1070 mm base L parts size, physical sizes, 5 different height, gives a wide selection chart for users. The connection part between Frames are changing for maintaining the D:670/870/1070mm depths which are variants of having the same accessories of the standard cabinets

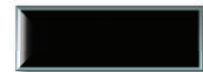
Depth of frame is 80mm, where Base L parts overall depth is D:670/870/1070mm,

Top and Bottom Frame Cases has 19" provision of 3U for 670mm depth, 6U for 870mm depth, 9 U for 1070mm depth configurations where suitable purpose 19" cable management accessories can be positioned for carrying and fixing cables, see case study drawings at page 137.

Standard Color:



RAL 7035 Light Grey



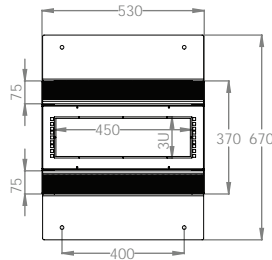
RAL 9005 Black



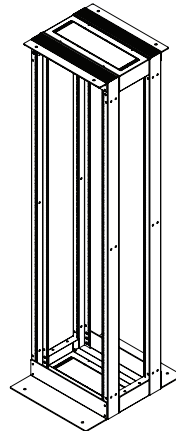
19" High Density Open Frames and System Racks
Double Frames d:80mm Frame Unit

Width: 530 mm.
Depth: 670 mm.

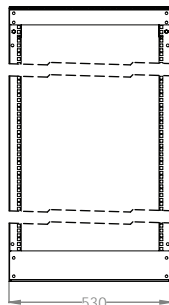
DETAILS and
EXPLODED
VIEW



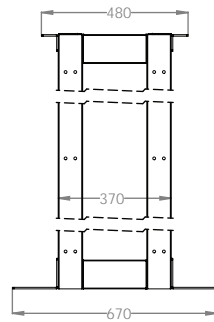
BOTTOM VIEW



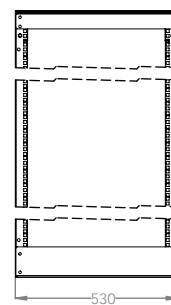
ISOMETRIC VIEW



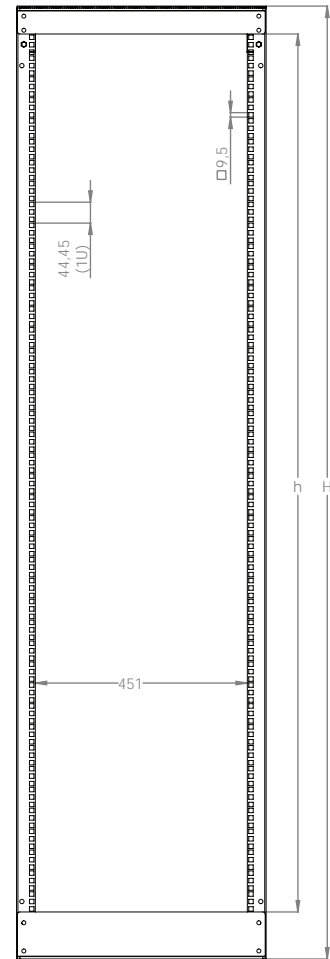
FRONT VIEW



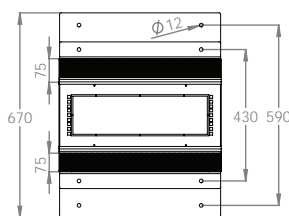
SIDE VIEW



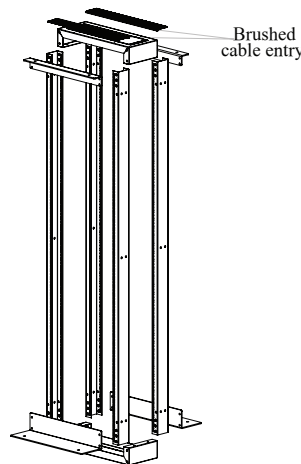
REAR VIEW



DIMENSIONS
IN
WIDTH AND HEIGHT



TOP VIEW



EXPLODED VIEW

19" DYNAframe OPEN FRAME SYSTEM RACKs Double Frames d:80mm Frame Unit Width:530mm Depth: 670mm

ROOT Product Number ***	Product Description	Size WXDxH mm	h size in U	h in mm	H mm, overall without feet and/or castor	Width Overall mm	Width Rail to Rail	Depth Overall mm	Depth Front Rail to Rear Rail mm	PACKING DIMENSIONS of PACK 1 WXDxH mm	PACKING DIMENSIONS of PACK 2 WXDxH mm	QTY IN PACKAGE	Standard NET Weight of product kgs	Gross Weight of Product kgs
LN-OF27UDD670-CC	27U D=80mm Frame Double Frame Open System Rack D=670mm	530x670x1356	27U	1200	1356	530	19"	670	370	165x150x1375	350x350x120	1	32,3	33,3
LN-OF36UDD670-CC	36U D=80mm Frame Double Frame Open System Rack D=670mm	530x670x1756	36U	1600	1756	530	19"	670	370	165x150x1775	350x350x120	1	36,6	37,8
LN-OF42UDD670-CC	42U D=80mm Frame Double Frame Open System Rack D=670mm	530x670x2022	42U	1867	2022	530	19"	670	370	165x150x2040	350x350x120	1	39,1	41
LN-OF45UDD670-CC	45U D=80mm Frame Double Frame Open System Rack D=670mm	530x670x2156	45U	2000	2155	530	19"	670	370	165x150x2175	350x350x120	1	40,4	42,5
LN-OF48UDD670-CC	48U D=80mm Frame Double Frame Open System Rack D=670mm	530x670x2289	48U	2133	2289	530	19"	670	370	165x150x2310	350x350x120	1	41,7	43,8

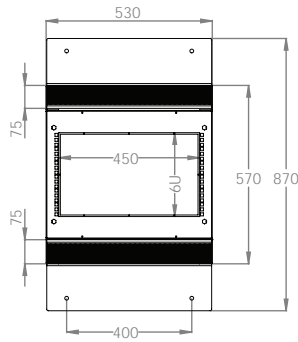
***CC= LG for Light Grey RAL 7035 & BL for Black RAL 9005 for customers to define while ordering.



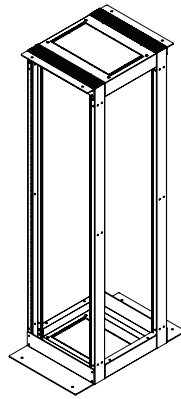
19" High Density Open Frames and System Racks
 Double Frames d:80mm Frame Unit

Width: 530 mm.
 Depth: 870 mm.

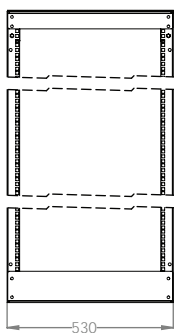
DETAILS and
 EXPLODED
 VIEW



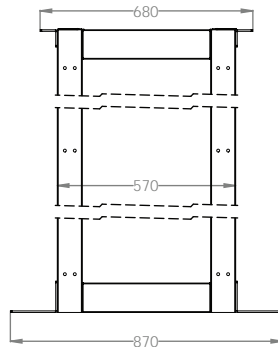
BOTTOM VIEW



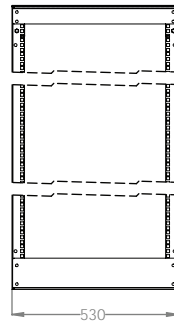
ISOMETRIC VIEW



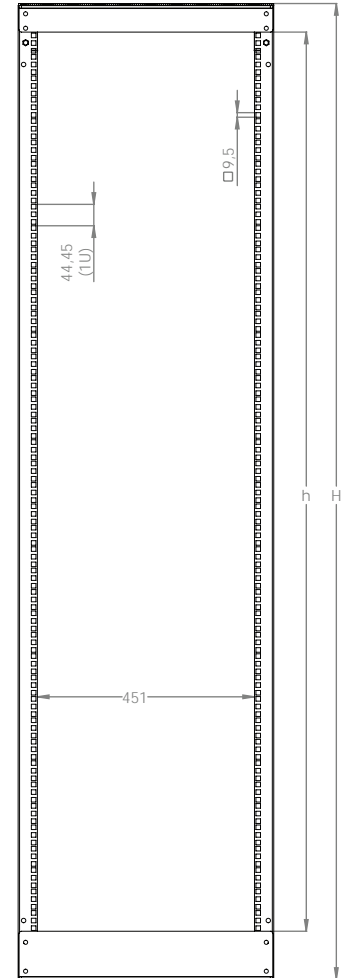
FRONT VIEW



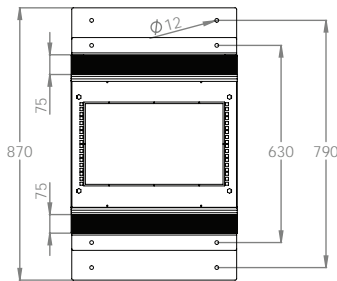
SIDE VIEW



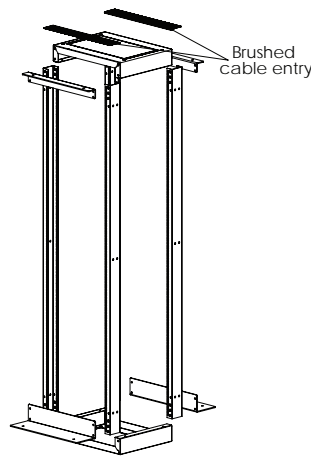
REAR VIEW



DIMENSIONS
 IN
 WIDTH AND HEIGHT



TOP VIEW



EXPLODED VIEW

19" DYNAframe OPEN FRAME SYSTEM RACKs Double Frames d:80mm Frame Unit Width:530mm Depth: 870mm

ROOT Product Number ***	Product Description	Size W X D X H mm	h size in U	h in mm	H mm, overall without feet and/or castor	Width Overall mm	Width Rail to Rail	Depth Overall mm	Depth Front Rail to Rear Rail mm	PACKING DIMENSIONS of PACK 1 W X D X H mm	PACKING DIMENSIONS of PACK 2 W X D X H mm	QTY IN PACKAGE	Standard NET Weight of product kgs	Gross Weight of Product kgs
LN-OF27UDD870-CC	27U D=80mm Frame Double Frame Open System Rack D=870mm	530x870x1356	27U	1200	1356	530	19"	870	570	165x150x1375	550x550x120	1	34,2	35,2
LN-OF36UDD870-CC	36U D=80mm Frame Double Frame Open System Rack D=870mm	530x870x1756	36U	1600	1756	530	19"	870	570	165x150x1775	550x550x120	1	38,4	40
LN-OF42UDD870-CC	42U D=80mm Frame Double Frame Open System Rack D=870mm	530x870x2022	42U	1867	2022	530	19"	870	570	165x150x2040	550x550x120	1	41	43
LN-OF45UDD870-CC	45U D=80mm Frame Double Frame Open System Rack D=870mm	530x870x2156	45U	2000	2155	530	19"	870	570	165x150x2175	550x550x120	1	42,3	44,5
LN-OF48UDD870-CC	48U D=80mm Frame Double Frame Open System Rack D=870mm	530x870x2289	48U	2133	2289	530	19"	870	570	165x150x2310	550x550x120	1	43,5	46

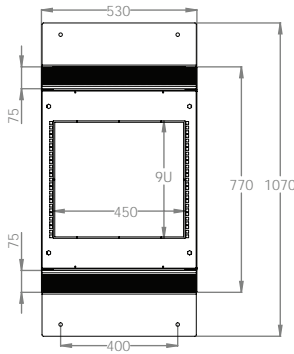
***CC= LG for Light Grey RAL 7035 & BL for Black RAL 9005 for customers to define while ordering.



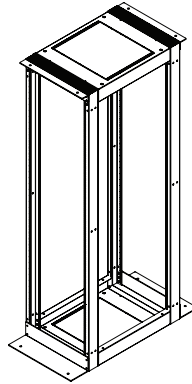
19" High Density Open Frames and System Racks
Double Frames d:80mm Frame Unit

Width: 530 mm.
Depth: 1070 mm.

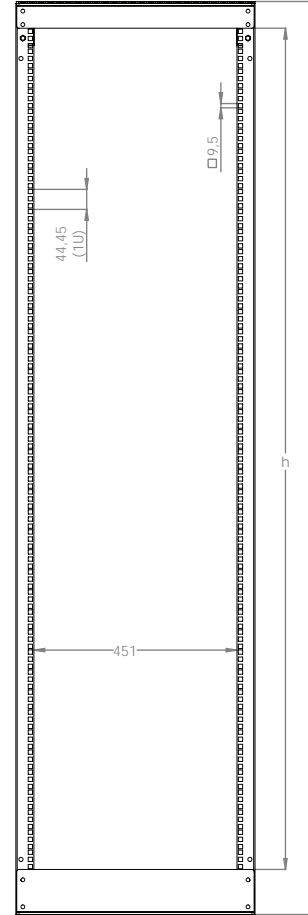
DETAILS and
EXPLODED
VIEW



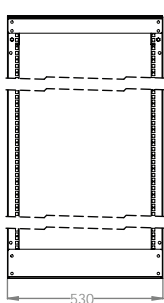
BOTTOM VIEW



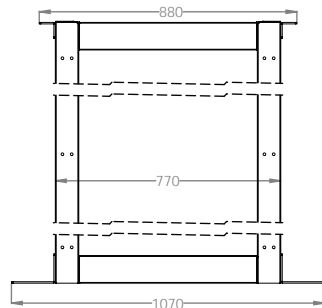
ISOMETRIC VIEW



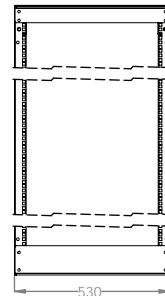
DIMENSIONS
IN
WIDTH AND HEIGHT



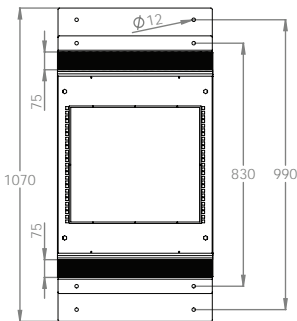
FRONT VIEW



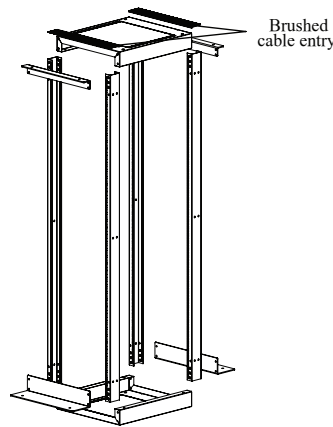
SIDE VIEW



REAR VIEW



TOP VIEW



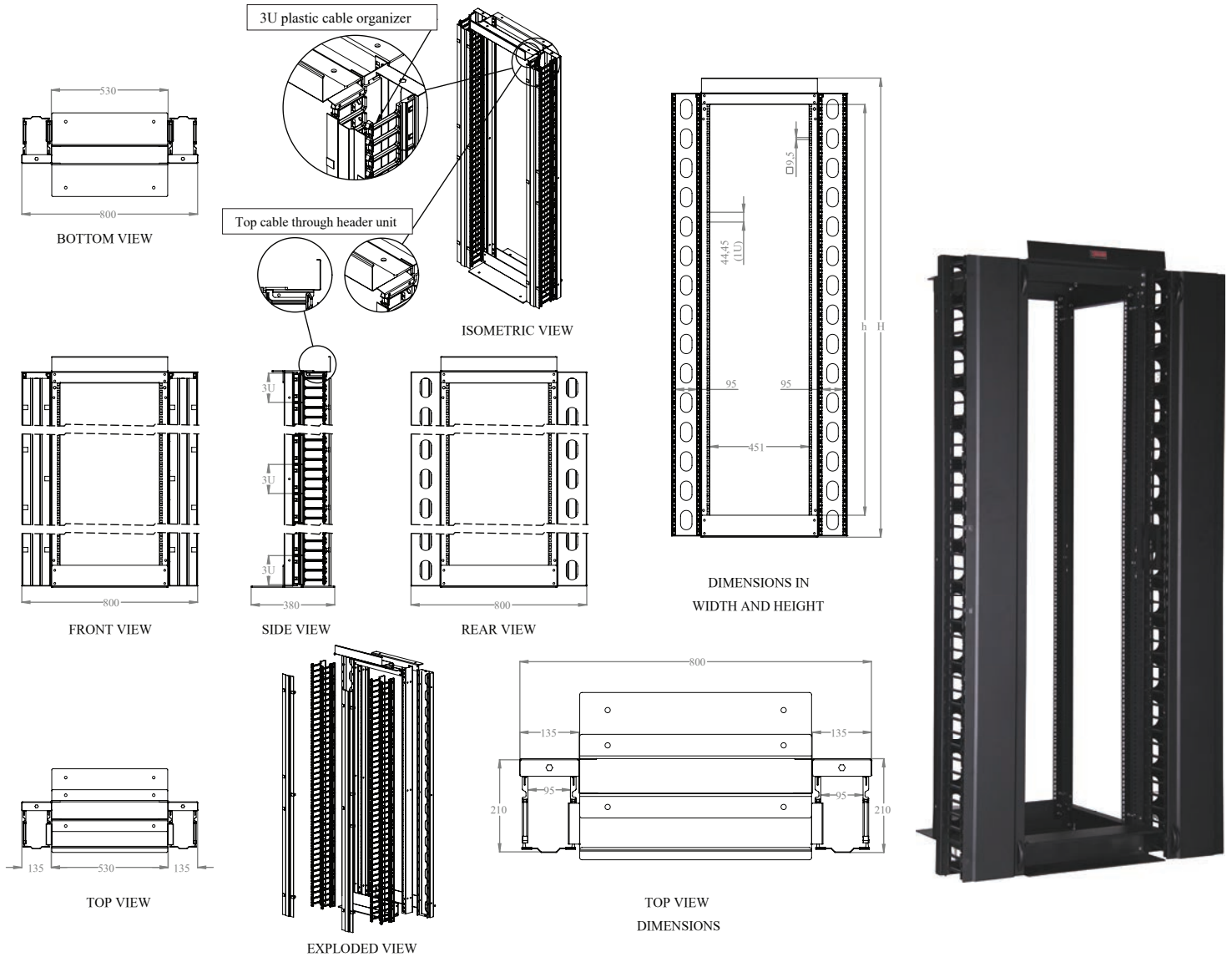
EXPLODED VIEW

19" DYNAframe OPEN FRAME SYSTEM RACKS Double Frames d:80mm Frame Unit Width:530mm Depth: 1070mm

ROOT Product Number ***	Product Description	Size WXDxH mm	h size in U	h in mm	H mm, overall without feet and/or castor	Width Overall mm	Width Rail to Rail	Depth Overall mm	Depth Front Rail to Rear Rail mm	PACKING DIMENSIONS of PACK 1 WXDxH mm	PACKING DIMENSIONS of PACK 2 WXDxH mm	QTY IN PACKAGE	Standard NET Weight of product kgs	Gross Weight of Product kgs
LN-OF27UDD1070-CC	27U D=80mm Frame Double Frame Open System Rack D=1070mm	530x1070x1356	27U	1200	1356	530	19"	1070	770	165x150x1375	750x750x120	1	36	37
LN-OF36UDD1070-CC	36U D=80mm Frame Double Frame Open System Rack D=1070mm	530x1070x1756	36U	1600	1756	530	19"	1070	770	165x150x1775	750x750x120	1	40,2	42
LN-OF42UDD1070-CC	42U D=80mm Frame Double Frame Open System Rack D=1070mm	530x1070x2022	42U	1867	2022	530	19"	1070	770	165x150x2040	750x750x120	1	52,8	55
LN-OF45UDD1070-CC	45U D=80mm Frame Double Frame Open System Rack D=1070mm	530x1070x2156	45U	2000	2155	530	19"	1070	770	165x150x2175	750x750x120	1	44,1	46,3
LN-OF48UDD1070-CC	48U D=80mm Frame Double Frame Open System Rack D=1070mm	530x1070x2289	48U	2133	2289	530	19"	1070	770	165x150x2310	750x750x120	1	45,2	47,8

***CC= LG for Light Grey RAL 7035 & BL for Black RAL 9005 for customers to define while ordering.



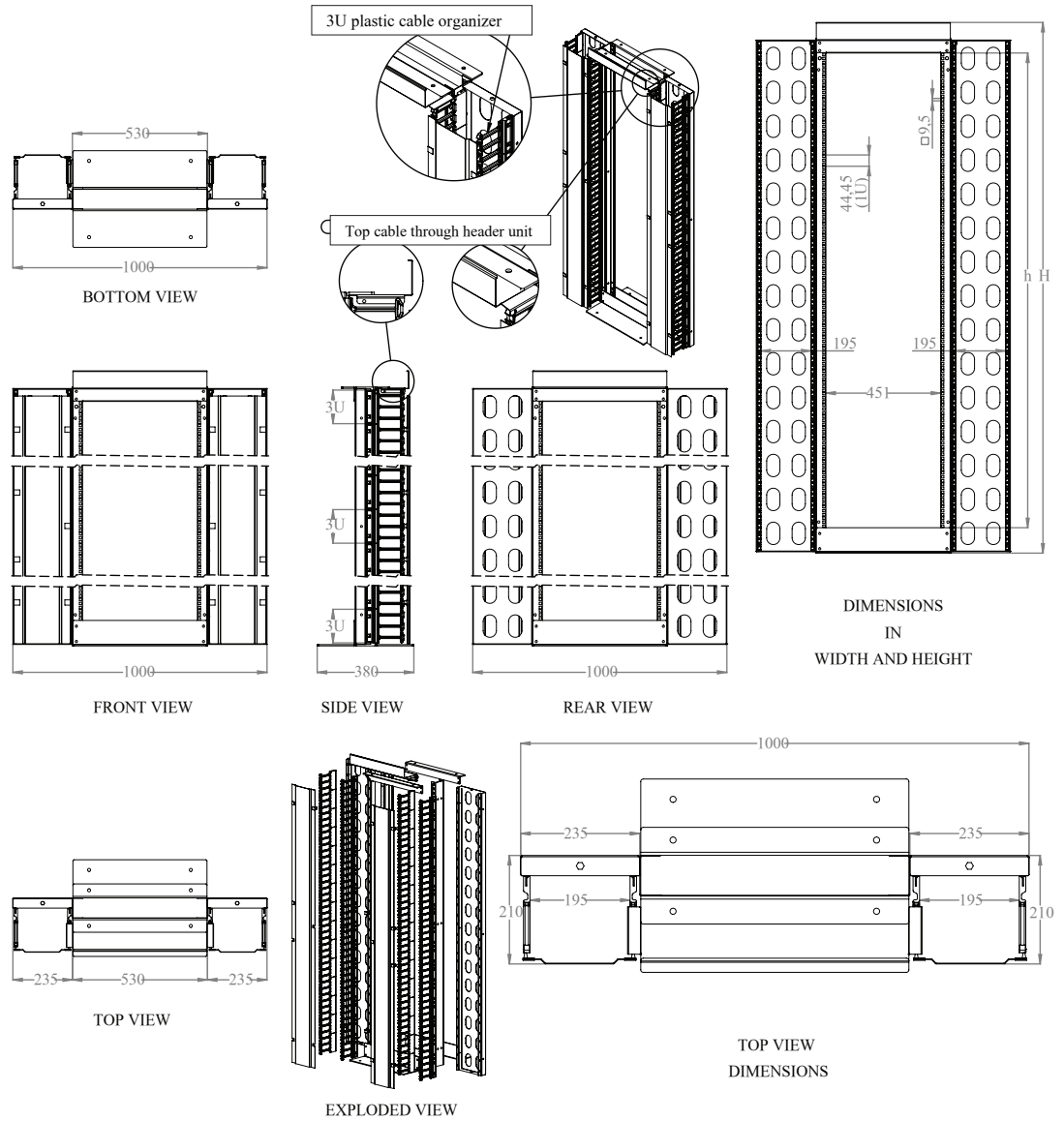
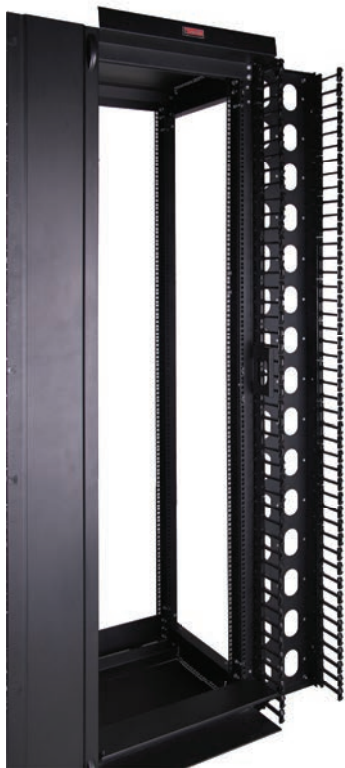


VERTICAL CABLE MANAGEMENT FOR OPEN FRAMES W=135mm D=210mm		Logistics Data						
Part Number*	Product Description	Product Dimensions mm	Pack Dimensions mm	Product Net Weight kgs	Product Gross Weight kg	QTY in Box pcs	Box Dimensions mm	Box Gross Weight kg
LN-KDG-OFR-5315-CC	Top Cable Through Header Unit	580x140x120	630x175x140	1,7	2,1	9	545x425x610	20,8
LN-KDG-OFR-27U135-CC	W=135mm D=210mm Vertical Cable Management Panel for Open Frames, Finger Type Cable Manager integrated Module 27U, 1 pcs	1345x135x210	1450x175x250	6	6,5	1	1450x175x250	6,5
LN-KDG-OFR-36U135-CC	W=135mm D=210mm Vertical Cable Management Panel for Open Frames, Finger Type Cable Manager integrated Module 36U, 1 pcs	1745x135x210	1850x175x250	7,1	7,7	1	1850x175x250	7,7
LN-KDG-OFR-42U135-CC	W=135mm D=210mm Vertical Cable Management Panel for Open Frames, Finger Type Cable Manager integrated Module 42U, 1 pcs	2011x135x210	2100x175x250	9,5	10,2	1	2100x175x250	10,2
LN-KDG-OFR-45U135-CC	W=135mm D=210mm Vertical Cable Management Panel for Open Frames, Finger Type Cable Manager integrated Module 45U, 1 pcs	2145x135x210	2250x175x250	10,1	10,9	1	2250x175x250	10,9
LN-KDG-OFR-48U135-CC	W=135mm D=210mm Vertical Cable Management Panel for Open Frames, Finger Type Cable Manager integrated Module 48U, 1 pcs	2278x135x210	2380x175x250	10,5	11,5	1	2380x175x250	11,5

* CC= Color Code, LG Light Grey RAL 7035, BL Black RAL 9005, customers to define while ordering

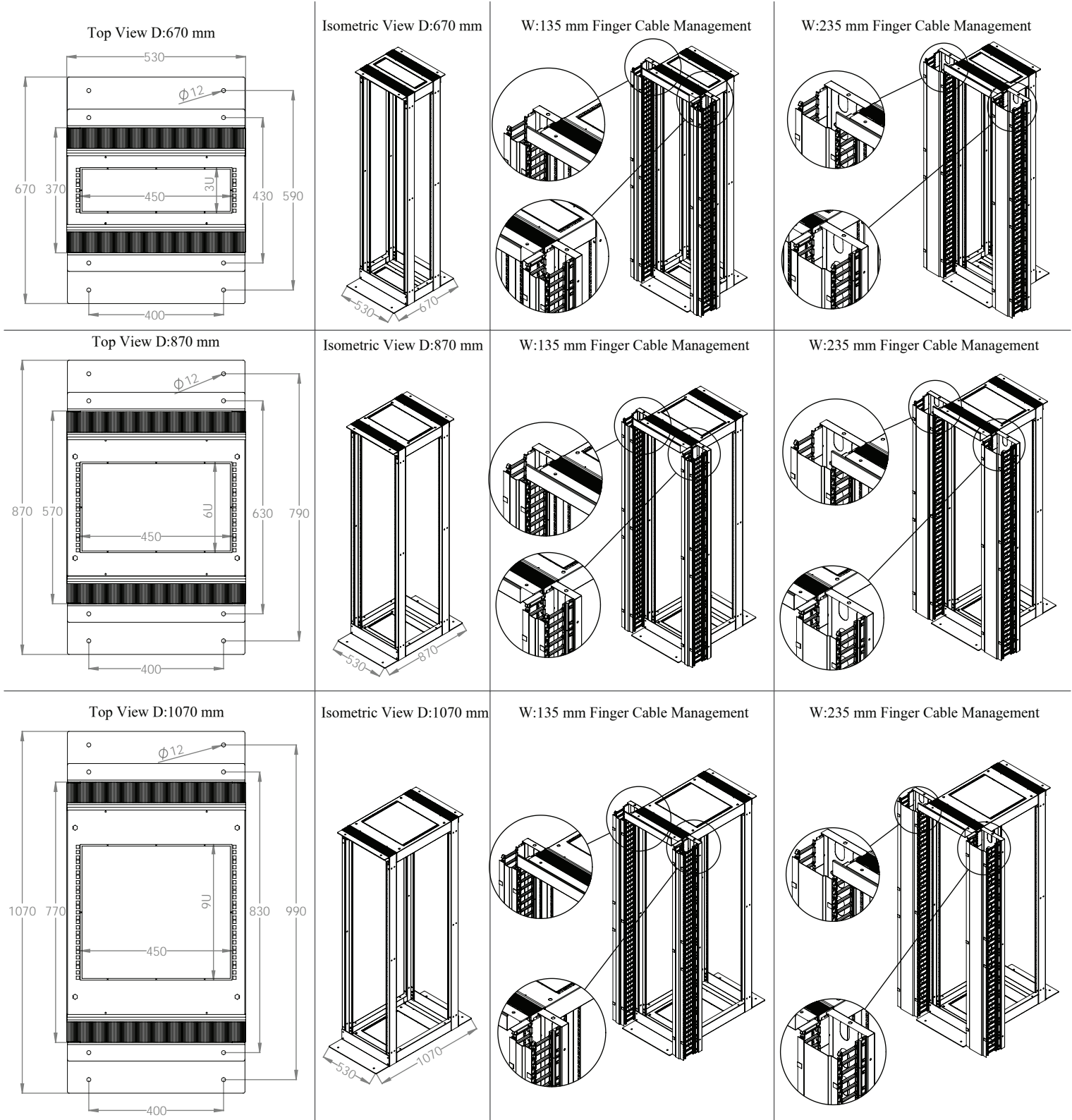
19" High Density Open Frames and System Racks
Single Frames d:80mm Frame Unit

Width: 235 mm.
Finger Style Cable Manager

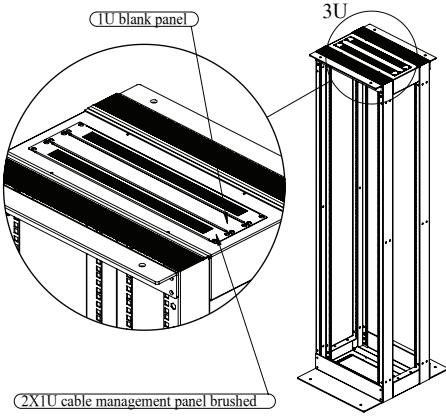


VERTICAL CABLE MANAGEMENT FOR OPEN FRAMES W=235mm D=210mm		Logistics Data							
Part Number*	Product Description	Product Dimensions mm	Pack Dimensions mm	Product Net Weight kgs	Product Gross Weight kg	QTY in Box pcs	Box Dimensions mm	Box Gross Weight kg	
LN-KDG-OFR-5315-CC	Top Cable Through Header Unit	580x140x120	630x175x140	1,7	2,1	9	545x425x610	20,8	
LN-KDG-OFR-27U235-CC	W=235mm D=210mm Vertical Cable Management Panel for Open Frames, Finger Type Cable Manager integrated Module 27U, 1 pcs	1345x235x210	1450x275x250	7,6	8,1	1	1450x275x250	8,1	
LN-KDG-OFR-36U235-CC	W=235mm D=210mm Vertical Cable Management Panel for Open Frames, Finger Type Cable Manager integrated Module 36U, 1 pcs	1745x235x210	1850x275x250	9,8	10,4	1	1850x275x250	10,4	
LN-KDG-OFR-42U235-CC	W=235mm D=210mm Vertical Cable Management Panel for Open Frames, Finger Type Cable Manager integrated Module 42U, 1 pcs	2011x235x210	2100x275x250	11,1	11,8	1	2100x275x250	11,8	
LN-KDG-OFR-45U235-CC	W=235mm D=210mm Vertical Cable Management Panel for Open Frames, Finger Type Cable Manager integrated Module 45U, 1 pcs	2145x235x210	2250x275x250	12,5	13,3	1	2250x275x250	13,3	
LN-KDG-OFR-48U235-CC	W=235mm D=210mm Vertical Cable Management Panel for Open Frames, Finger Type Cable Manager integrated Module 48U, 1 pcs	2278x235x210	2380x275x250	13,5	14,4	1	2380x275x250	14,4	

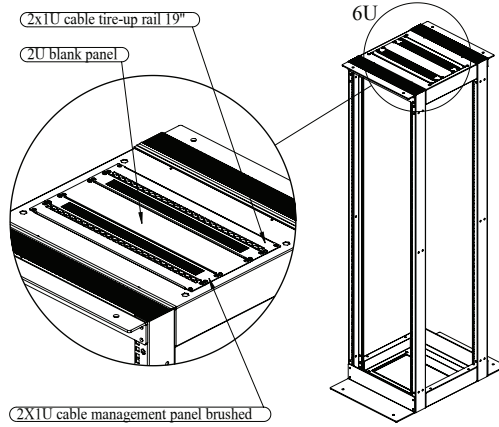
* CC= Color Code, LG Light Grey RAL 7035, BL Black RAL 9005, customers to define while ordering



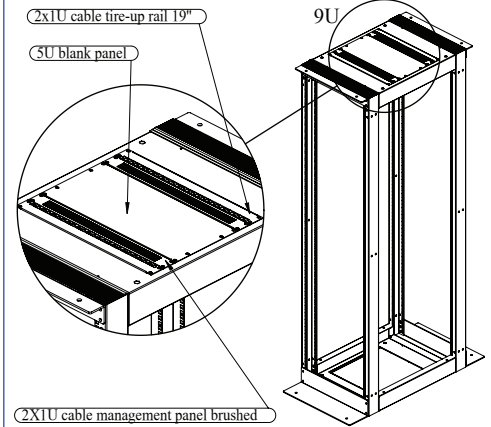
Using 3U 19" provision on the top for accessories
(Case Study)



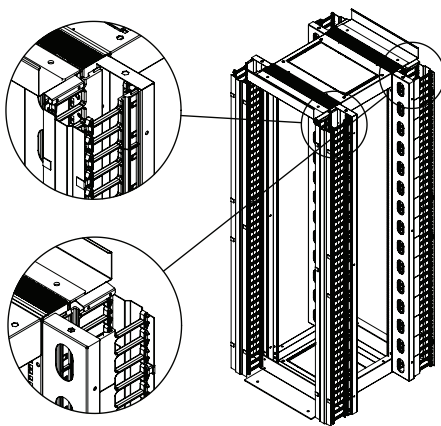
Using 6U 19" provision on the top for accessories
(Case Study)



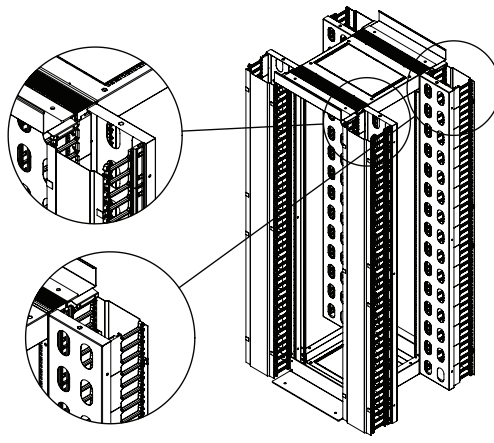
Using 9U 19" provision on the top for accessories
(Case Study)



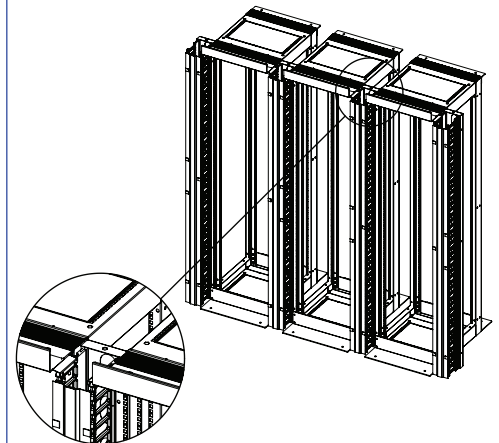
W:135 mm Finger Style Cable Manager



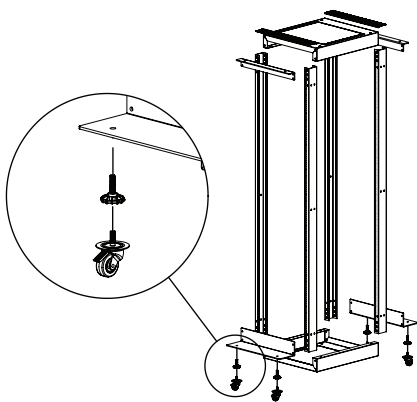
W:235 mm Finger Style Cable Manager



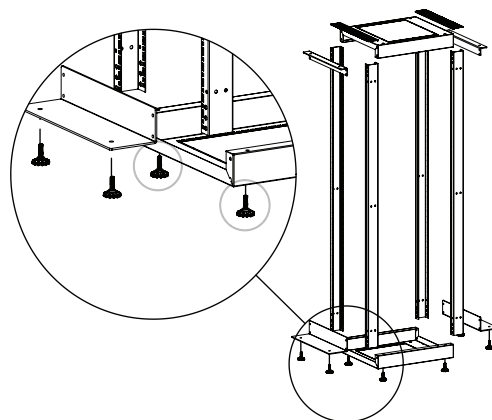
Using Finger Style Cable Manager as a common cable manager for side by side stacked frame



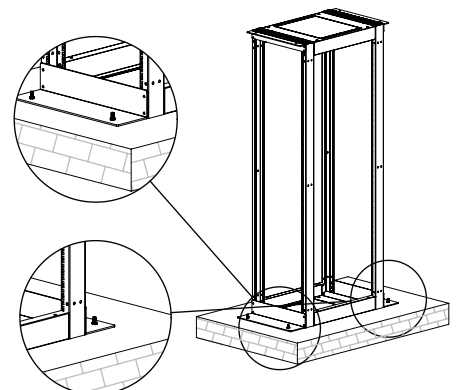
Integration of Leveling Feet / Caster Set



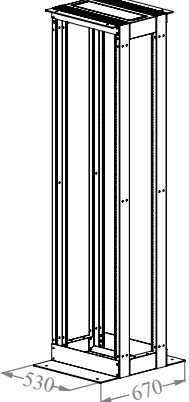
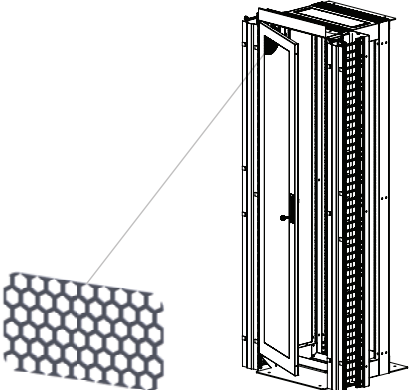
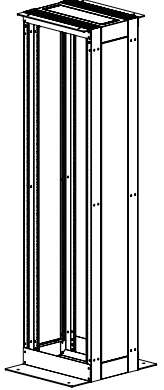
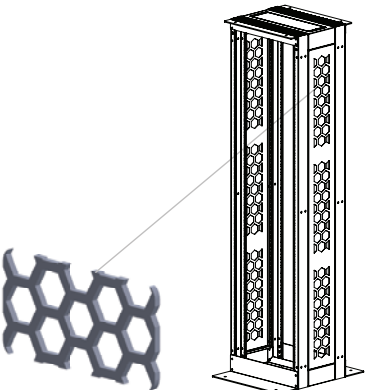
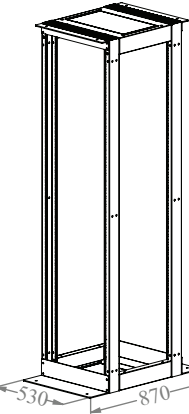
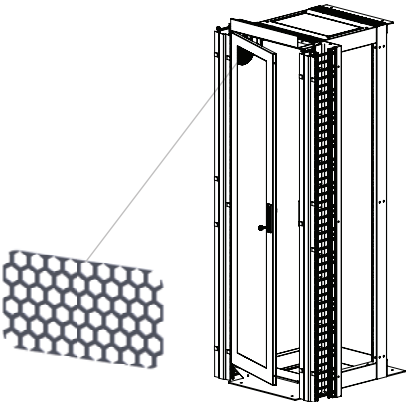
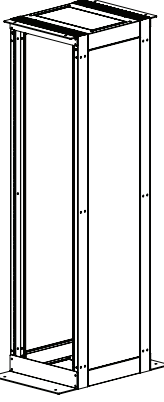
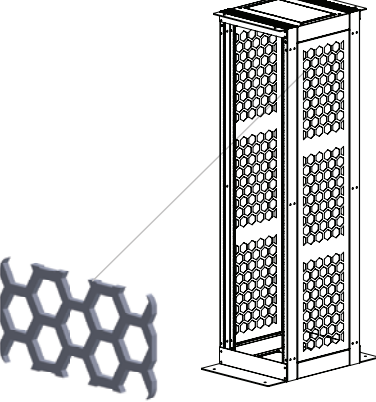
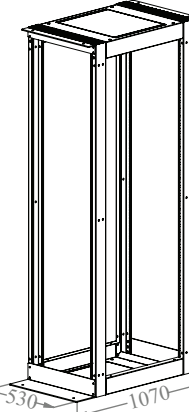
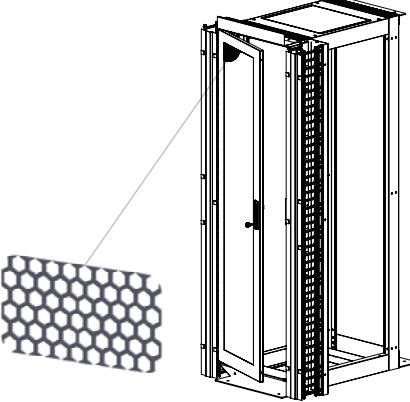
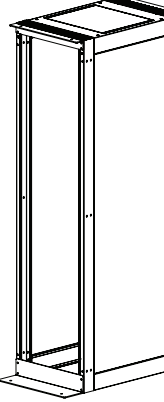
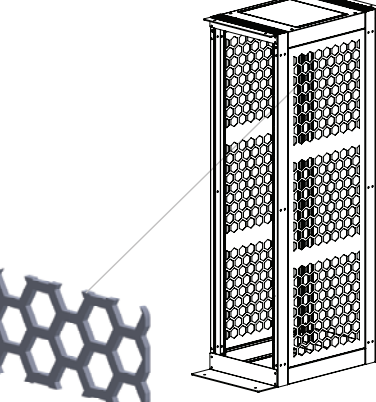
Integration of additional Leveling Feet for increasing Loading capacity without fixing frame to the floor



Fixing of Frame to the floor

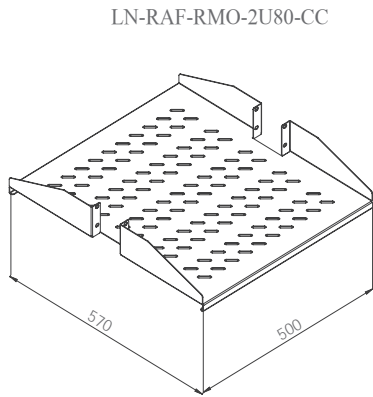


APPLICATION DRAWINGS / CASE STUDIES

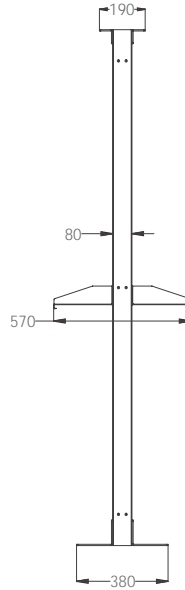
<p>Isometric View D:670 mm</p> 	<p>%63 Perforated Front/Rear door application</p> 	<p>Solid side panel application</p> 	<p>52 mm sized honeycomb Side panel for airflow</p> 
<p>Isometric View D:870 mm</p> 	<p>%63 Perforated Front/Rear door application</p> 	<p>Solid side panel application</p> 	<p>52 mm sized honeycomb Side panel for airflow</p> 
<p>Isometric View D:1070 mm</p> 	<p>%63 Perforated Front/Rear door application</p> 	<p>Solid side panel application</p> 	<p>52 mm sized honeycomb Side panel for airflow</p> 

RACK MOUNT SHELVES	
Part Number	Product Description
LN-RAF-RMO-2U80-CC	2U D=570mm 19" Rack Mount Double way shelf, 4 point fixing, fixed shelf, single frame 80mm frame, usage at 19" provision, load capacity 50 kgs

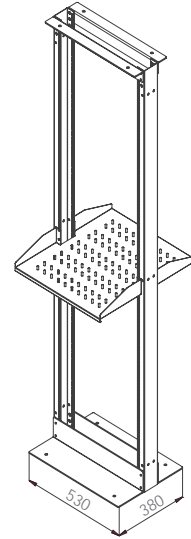
* CC= Color Code, LG Light Grey RAL 7035, BL Black RAL 9005, customers to define while ordering



ISOMETRIC VIEW OF
DOUBLE WAY SHELF



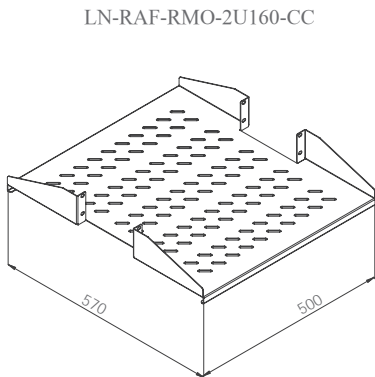
SIDE VIEW



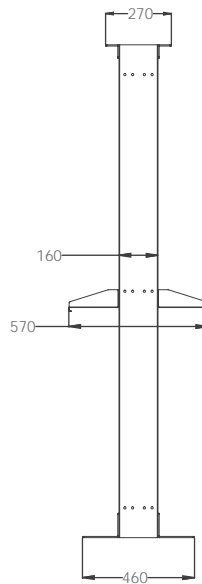
ISOMETRIC VIEW

RACK MOUNT SHELVES	
Part Number	Product Description
LN-RAF-RMO-2U160-CC	2U D=570mm 19" Rack Mount Double way shelf, 4 point fixing, fixed shelf, single frame 160mm frame, usage at 19" provision, load capacity 50 kgs

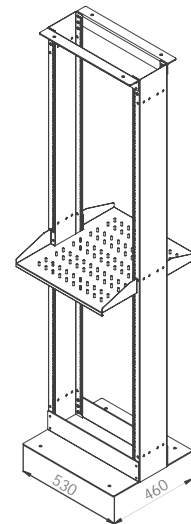
* CC= Color Code, LG Light Grey RAL 7035, BL Black RAL 9005, customers to define while ordering



ISOMETRIC VIEW OF
DOUBLE WAY SHELF



SIDE VIEW



ISOMETRIC VIEW

19" High Density Open Frames and System Racks

Frequent Used Accessory Selection Chart

FIXED SHELVES, 4 POINT FIXING_ UNIVERSAL MODEL, MULTIVENDOR, compatible with any brand cabinet		COMPATIBLE WITH				
		DYNAframe Frame Systems W 530 x D (Depth) mm				
Part Number	Product Description	Single Frame with 80mm depth Frame D: 380mm	Double Frame System with 80mm depth Frame D:670mm	Double Frame System with80mm depth Frame D:870mm	Double Frame System with 80mm depth Frame D:1070mm	Single Frame with 160mm depth Frame D: 460mm
LN-RAF-SBT-D600-CC-UNV	Fixed Shelf, 19" 1U Metal Bracket, 4 point fixing, Physical Shelf Depth:370mm for D=600mm cabinetes, Load Capacity 50 kg Universal Model, Compatible with any brand cabinet		●			
LN-RAF-SBT-D800-CC-UNV	Fixed Shelf, 19" 1U Metal Bracket, 4 point fixing, Physical Shelf Depth:570mm for D=800mm cabinetes, Load Capacity 50 kg Universal Model, Compatible with any brand cabinet			●		
LN-RAF-SBT-D100-CC-UNV	Fixed Shelf, 19" 1U Metal Bracket, 4 point fixing, Physical Shelf Depth:770mm for D=1000mm cabinetes, Load Capacity 50 kg Universal Model, Compatible with any brand cabinet				●	

* CC= Color Code, LG Light Grey RAL 7035, BL Black RAL 9005, customers to define while ordering

FIXED SHELVES 4 POINT FIXING, HEAVY DUTY TYPE		COMPATIBLE WITH				
		DYNAframe Frame Systems W 530 x D (Depth) mm				
Part Number	Product Description	Single Frame with 80mm depth Frame D: 380mm	Double Frame System with 80mm depth Frame D:670mm	Double Frame System with80mm depth Frame D:870mm	Double Frame System with 80mm depth Frame D:1070mm	Single Frame with 160mm depth Frame D: 460mm
LN-RAF-SBA-D100-CC	Heavy Duty Fixed Shelf, 1U 19", 4 point fixing, Physical Shelf Depth:720mm for D=1000mm cabinetes. Load Capacity 100 kg				●	

* CC= Color Code, LG Light Grey RAL 7035, BL Black RAL 9005, customers to define while ordering

SLIDING SHELVES 4 POINT FIXING, MULTIVENDOR, compatible with any brand cabinet		COMPATIBLE WITH				
		DYNAframe Frame Systems W 530 x D (Depth) mm				
Part Number	Product Description	Single Frame with 80mm depth Frame D: 380mm	Double Frame System with 80mm depth Frame D:670mm	Double Frame System with80mm depth Frame D:870mm	Double Frame System with 80mm depth Frame D:1070mm	Single Frame with 160mm depth Frame D: 460mm
LN-RAF-HRK-D600-CC	Sliding Shelf, 4 point fixing, Physical Shelf Depth:370mm for D=600mm cabinetes, Load Capacity 30 kg, Compatible with any brand cabinet		●			
LN-RAF-HRK-D800-CC	Sliding Shelf, 4 point fixing, Physical Shelf Depth:570mm for D=800mm cabinetes, Load Capacity 30 kg, Compatible with any brand cabinet			●		

* CC= Color Code, LG Light Grey RAL 7035, BL Black RAL 9005, customers to define while ordering

SLIDING SHELVES 4 POINT FIXING, HEAVY DUTY TYPE		COMPATIBLE WITH				
		DYNAframe Frame Systems W 530 x D (Depth) mm				
Part Number	Product Description	Single Frame with 80mm depth Frame D: 380mm	Double Frame System with 80mm depth Frame D:670mm	Double Frame System with80mm depth Frame D:870mm	Double Frame System with 80mm depth Frame D:1070mm	Single Frame with 160mm depth Frame D: 460mm
LN-RAF-HRA-D100-CC	Heavy Duty Sliding Shelf, 1U 19", 4 point fixing, Physical Shelf Depth:720mm for D=1000mm cabinetes. Load Capacity 50 kg, full telescopic				●	

* CC= Color Code, LG Light Grey RAL 7035, BL Black RAL 9005, customers to define while ordering

POWER STRIPES ALUMINIUM HOUSING		COMPATIBLE WITH				
		DYNAframe Frame Systems W 530 x D (Depth) mm				
Part Number	Product Description	Single Frame with 80mm depth Frame D: 380mm	Double Frame System with 80mm depth Frame D:670mm	Double Frame System with80mm depth Frame D:870mm	Double Frame System with 80mm depth Frame D:1070mm	Single Frame with 160mm depth Frame D: 460mm
LN-PRZ-SGT-1U6P-SC	6xDIN49440 Socket Schuko Power Stripe, 19" 1U, aluminium housing, 1x16A cct breaker, 4000 Watt, 250V AC, 3x1.5mm ² , 2,5m cable, DIN 49441 plug, CE approval	●	●	●	●	●

* CC= Color Code, LG Light Grey RAL 7035, BL Black RAL 9005, customers to define while ordering

19" High Density Open Frames and System Racks

Frequent Used Accesorry Selection Chart

RACK MOUNT SHELVES 2 POINT FIXING		COMPATIBLE WITH				
		DYNAframe Frame Systems W 530 x D (Depth) mm				
Part Number	Product Description	Single Frame with 80mm depth Frame D: 380mm	Double Frame System with 80mm depth Frame D:670mm	Double Frame System with80mm depth Frame D:870mm	Double Frame System with 80mm depth Frame D:1070mm	Single Frame with 160mm depth Frame D: 460mm
LN-RAF-RMO-1U20-CC	1U D=200mm 19" Rack Mount Shelf , 2 point fixing, for all cabinets at 19" provision, Load Capacity 30 kg	●	●	●	●	●
LN-RAF-RMO-1U25-CC	1U D=250mm 19" Rack Mount Shelf , 2 point fixing, for all cabinets at 19" provision, Load Capacity 30 kg	●	●	●	●	●
LN-RAF-RMO-1U30-CC	1U D=300mm 19" Rack Mount Shelf , 2 point fixing, for all cabinets at 19" provision, Load Capacity 30 kg	●	●	●	●	●
LN-RAF-RMO-1U40-CC	1U D=400mm 19" Rack Mount Shelf , 2 point fixing, for all cabinets at 19" provision, Load Capacity 30 kg	●	●	●	●	●
LN-RAF-RMO-2U35-CC	2U D=350mm 19" Rack Mount Shelf , 2 point fixing, for all cabinets at 19" provision, Load Capacity 30 kg	●	●		●	●
LN-RAF-RMO-2U55-CC	2U D=550mm 19" Rack Mount Shelf , 2 point fixing, for all cabinets at 19" provision, Load Capacity 30 kg	●		●	●	●
LN-RAF-RMO-1UXX-CC	1U 19" Adapter part, 1set:2 pcs incl the fixing hardware, Allowing rack mount shelves to attach to rear 19" rails, Increasing the original load capacity of shelf		●	●	●	
LN-RAF-RMO-2U80-CC	2U D=570mm 19" Rack Mount Double way shelf, 4 point fixing, Fixed Shelf, Single Frame 80mm frame, usage at 19" provision, Load capacity 50 kg	●				
LN-RAF-RMO-2U160-CC	2U D=570mm 19" Rack Mount Double way shelf, 4 point fixing, Fixed Shelf, Single Frame 160mm frame, usage at 19" provision, Load capacity 50 kg					●

* CC= Color Code, LG Light Grey RAL 7035, BL Black RAL 9005, customers to define while ordering

RACK MOUNT SHELVES, 4 POINT FIXING		COMPATIBLE WITH				
		DYNAframe Frame Systems W 530 x D (Depth) mm				
Part Number	Product Description	Single Frame with 80mm depth Frame D: 380mm	Double Frame System with 80mm depth Frame D:670mm	Double Frame System with80mm depth Frame D:870mm	Double Frame System with 80mm depth Frame D:1070mm	Single Frame with 160mm depth Frame D: 460mm
LN-RAF-RMC-1I35-CC	1U 19" frontal, 1 U 19" rear assembly, adjustable rear 19" brackets, D=350mm , for all cabinets at 19" provision, Load Capacity 50 kg		●	●		
LN-RAF-RMC-2I35-CC	2U 19" frontal, 1 U 19" rear assembly, adjustable rear 19" brackets, D=350mm , for all cabinets at 19" provision, Load Capacity 50 kg		●	●		
LN-RAF-RMC-1I45-CC	1U 19" frontal, 1 U 19" rear assembly, adjustable rear 19" brackets, D=450mm , for all cabinets at 19" provision, Load Capacity 50 kg		●	●	●	
LN-RAF-RMC-2I45-CC	2U 19" frontal, 1 U 19" rear assembly, adjustable rear 19" brackets, D=450mm , for all cabinets at 19" provision, Load Capacity 50 kg		●	●	●	
LN-RAF-RMC-2I55-CC	2U 19" frontal, 1 U 19" rear assembly, adjustable rear 19" brackets, D=550mm , for all cabinets at 19" provision, Load Capacity 50 kg				●	
LN-RAF-RMC-2I65-CC	2U 19" frontal, 1 U 19" rear assembly, adjustable rear 19" brackets, D=650mm , for all cabinets at 19" provision, Load Capacity 50 kg				●	

* CC= Color Code, LG Light Grey RAL 7035, BL Black RAL 9005, customers to define while ordering

HORIZONTAL CABLE MANAGEMENT ACCESSORIES		COMPATIBLE WITH				
		DYNAframe Frame Systems W 530 x D (Depth) mm				
Part Number	Product Description	Single Frame with 80mm depth Frame D: 380mm	Double Frame System with 80mm depth Frame D:670mm	Double Frame System with80mm depth Frame D:870mm	Double Frame System with 80mm depth Frame D:1070mm	Single Frame with 160mm depth Frame D: 460mm
LN-KDG-YKD-1UKN-CC	1U 19" cable management panel 5 rings	●	●	●	●	●
LN-KDG-YKD-1UKT-CC	1U 19" cable management panel, channel type, removable front cover plate with clips	●	●	●	●	●
LN-KDG-YKD-1UKZ-CC	1U 19" cable management panel, channel type, removable insert type sliding cover plate	●	●	●	●	●
LN-KDG-YKD-1UFO-CC	1U 19" cable management panel for patchcord entry, brushed type, with L rear bend patchcord holder and tire up panel	●	●	●	●	●
LN-KDG-YKD-2UKA-CC	2U 19" cable management panel, channel type, removable angled front cover plate, front cover plate is toolless	●	●	●	●	●
LN-KDG-YKD-2UFT-CC	2U 19" cable management panel, channel type, Finger Style PVC organizer integrated, up/down opening toolless front cover plate 2U	●	●	●	●	●

* CC= Color Code, LG Light Grey RAL 7035, BL Black RAL 9005, customers to define while ordering.



HEAD OFFICE

Safa Mah. Atatürk Cad. Yağız Sok. No:4
Yenidoğan - Sancaktepe - İstanbul / TURKEY
Tel : +90 216 312 2653 pbx
Fax: +90 216 312 0909

FACTORY

20. Cadde No: 14 Eskişehir Organize Sanayi
Bölgesi 26110 Eskişehir / TURKEY
Tel: +90 222 236 2466 pbx
Fax: +90 222 236 1353

